

RESTRICTED  
FOR OFFICIAL USE ONLY

AN 08-10-209

★

*HANDBOOK OF MAINTENANCE  
INSTRUCTIONS*

*FOR*

**RADIO RECEIVERS**

|          |   |          |   |          |
|----------|---|----------|---|----------|
| BC-348-E | • | BC-348-M | • | BC-348-O |
| BC-348-P | • | BC-348-S | • | BC-224-E |
| BC-224-G | • | BC-224-H | • | BC-224-L |

**NOTICE:** This document contains information affecting the national defense of the United States within the meaning of the Espionage Act, 50 U.S.C., 31 and 32, as amended. Its transmission or the revelation of its contents in any manner to any unauthorized person is prohibited by law. (AR 380-5) (ARTS 75½ & 76, U. S. N. REGS-1920).

The information contained in restricted documents and the essential characteristics of restricted material will not be communicated to the public or to the press, but may be given to any person known to be in the service of the United States and to persons of undoubted loyalty and discretion who are cooperating in Government work.

**NOTICE:** For Official Use Only—Not to be communicated to anyone outside His Majesty's Service.

Not to be published. The information given in this document is not to be communicated, either directly or indirectly, to the press or to any person not holding an official position in His Majesty's Service.

Published under joint authority of the United States War and Navy  
Departments and the Air Council of the United Kingdom.

**SECURITY NOTICE**

FOR U. S. PERSONNEL: This document contains information affecting the national defense of the United States within the meaning of the Espionage Act, 50 U.S.C., 31 and 32, as amended. Its transmission or the revelation of its contents in any manner to an unauthorized person is prohibited by law. (AR 380-5) (ARTS 75½ & 76, U.S.N. REGS-1920.)

The information contained in restricted documents and the essential characteristics of restricted materiel will not be communicated to the public or to the press, but may be given to any

person known to be in the service of the United States and to persons of undoubted loyalty and discretion who are cooperating in Government work.

FOR BRITISH PERSONNEL: For Official Use Only—Not to be communicated to anyone outside His Majesty's Service. Not to be published. The information given in this document is not to be communicated, either directly or indirectly, to the press or to any person not holding an official position in His Majesty's Service.

**LIST OF REVISED PAGES ISSUED**

NOTE: A heavy black vertical line, to the left of the text on revised pages, indicates the extent of the revision. This line is omitted where more than 50 percent of the page is revised.

| Page No.       | Latest Revised Date |
|----------------|---------------------|
| Title Page ... | 1 March 1944        |
| A .....        | 1 March 1944        |
| II .....       | 1 March 1944        |
| VII .....      | 1 March 1944        |
| 15 .....       | 1 March 1944        |

**ADDITIONAL COPIES OF THIS PUBLICATION MAY BE OBTAINED AS FOLLOWS:**

AAF ACTIVITIES—Submit requisitions to the Commanding General, Fairfield Air Service Command, Patterson Field, Fairfield, Ohio, Attention: Publications Distribution Branch, in accordance with AAF Regulation No. 5-9. Also, for details of Technical Order distribution, see T. O. No. 00-25-3.  
NAVY ACTIVITIES—Submit requests to the Chief, Bureau of Aeronautics, Navy Department, Washington, D. C.  
BRITISH ACTIVITIES—Submit requirements on Form 294A, in duplicate, to the Air Publications and Forms Store, New College, Leadhall Lane, Harrogate, Yorkshire, England.

## TABLE OF CONTENTS

| <i>Section</i>   | <i>Page</i> |
|--|-------------|
| DESTRUCTION NOTICE .....   | v           |
| UNSATISFACTORY REPORT .....  | vi          |
| SAFETY NOTICE .....  | vii         |
| REPLACEMENT NOTICE .....   | vii         |
| <b>I. GENERAL DESCRIPTION</b>  |             |
| 1. General .....   | 1           |
| 2. Component Units .....   | 1           |
| <i>a.</i> Cabinet .....  | 2           |
| <i>b.</i> Chassis .....  | 2           |
| <i>c.</i> Panel .....  | 2           |
| <i>d.</i> R-F and Oscillator Units .....                                       | 3           |
| <i>e.</i> I-F Transformers, Beat Frequency Oscillator and Crystal Filter ..... | 3           |
| <i>f.</i> Mounting .....   | 3           |
| <i>g.</i> Plug PL-P103 and Plug PL-Q103 .....                                  | 3           |
| <i>b.</i> Illumination .....   | 3           |
| <i>i.</i> Dynamotor DM-28-(*) or D-M24-(*) .....                               | 3           |
| 3. Power Requirements .....  | 4           |
| 4. Tube Description .....  | 4           |
| <b>II. INSTALLATION AND ADJUSTMENT</b>   |             |
| 1. Installation .....  | 5           |
| <i>a.</i> Mounting .....   | 5           |
| <i>b.</i> Power Connections .....  | 5           |
| <i>c.</i> Transmitter Connections .....  | 5           |
| <i>d.</i> Output Connections .....   | 5           |
| <i>e.</i> Bonding and Shielding .....  | 6           |
| <i>f.</i> Mounting of Receiver .....   | 6           |
| <i>g.</i> Safety Wire .....  | 6           |
| <i>b.</i> Ground .....   | 6           |
| <i>i.</i> Antenna .....  | 6           |
| 2. Preparation for Use .....   | 6           |
| <b>III. OPERATION</b>  |             |
| 1. General Procedure .....   | 7           |
| <i>a.</i> Power Switch .....   | 7           |
| <i>b.</i> Operating Test .....   | 7           |
| <i>c.</i> Operating Routine .....  | 7           |
| <b>IV. MECHANICAL AND ELECTRICAL CHARACTERISTICS</b>                           |             |
| 1. Circuits .....  | 9           |
| 2. Frequency Range and Frequency Bands .....                                   | 9           |
| 3. Input Coupling .....  | 9           |

## TABLE OF CONTENTS (Continued)

| <i>Section</i>  | <i>Page</i> |
|---|-------------|
| 4. Input Protection .....                               | 9           |
| 5. Radio-Frequency Amplifier .....                      | 11          |
| 6. First Detector .....                                 | 11          |
| 7. Heterodyne Oscillator .....                          | 11          |
| 8. Intermediate-Frequency Amplifier .....               | 11          |
| 9. C-W Oscillator .....                                 | 11          |
| 10. Crystal Band-Pass Filter .....                      | 12          |
| 11. Second Detector and Automatic Volume Control .....  | 12          |
| 12. Output .....  | 12          |
| <i>a.</i> Description .....                             | 12          |
| <i>b.</i> Constant Internal Receiver Noise .....        | 12          |
| <i>c.</i> Output Impedance .....                        | 13          |
| 13. Dynamotor .....                                     | 13          |
| 14. Dial and Mask Assembly .....                        | 13          |
| <b>V. MAINTENANCE</b>                                   |             |
| 1. Inspection .....                                     | 15          |
| <i>a.</i> Daily .....                                   | 15          |
| <i>b.</i> 25 Hours .....                                | 15          |
| <i>c.</i> 100 Hours .....                               | 15          |
| <i>d.</i> Major Overhaul .....                          | 15          |
| 2. Replacement of Dial Lamps and Fuses .....            | 15          |
| <i>a.</i> Dial Lamps .....                              | 15          |
| <i>b.</i> Fuses .....                                   | 15          |
| 3. Care and Servicing of Dynamotor .....                | 15          |
| <i>a.</i> Procedure for Removal .....                   | 15          |
| <i>b.</i> Lubrication .....                             | 15          |
| <i>c.</i> Servicing Ball Bearings and Commutators ..... | 15          |
| <i>d.</i> Smoothing the Commutator .....                | 16          |
| <i>e.</i> Reassembly of the Dynamotor .....             | 17          |
| <i>f.</i> Nominal Ratings .....                         | 17          |
| 4. Removal of Front Panel .....                         | 17          |
| 5. Dial and Mask Assembly .....                         | 18          |
| <i>a.</i> General .....                                 | 18          |
| <i>b.</i> Switch Drive Shaft .....                      | 18          |
| <i>c.</i> Stop-Arm Assembly .....                       | 18          |
| <i>d.</i> Index Plate .....                             | 18          |
| <i>e.</i> Dial Hub .....                                | 18          |
| <i>f.</i> Shafts .....                                  | 18          |
| <i>g.</i> Gear Ratio .....                              | 18          |
| <i>b.</i> Dial Calibration .....                        | 19          |

**TABLE OF CONTENTS (Continued)**

| <i>Section</i>   | <i>Page</i> |
|--|-------------|
| 6. Removal and Replacement of Dial Mechanism .....                                       | 19          |
| <i>a.</i> General .....  | 19          |
| <i>b.</i> Procedure .....  | 19          |
| <i>c.</i> Readjustment .....   | 19          |
| <i>d.</i> Mask Setting .....   | 19          |
| <i>e.</i> Removal of Backlash .....  | 19          |
| <i>f.</i> Final Adjustment .....   | 19          |
| 7. Removal of Antenna, R-F, Detector and Oscillator Units .....                          | 19          |
| 8. Trouble Location and Remedy .....   | 21          |
| <i>a.</i> General .....  | 21          |
| <i>b.</i> Equipment Required .....   | 21          |
| <i>c.</i> Weak or No Signals on All Bands, Modulated Reception .....                     | 21          |
| <i>d.</i> Weak or No Signals on Any One Band, Modulated Reception .....                  | 30          |
| <i>e.</i> Weak or No Signals on All Bands, C-W Reception (Modulated Reception Normal) .. | 30          |
| <i>f.</i> Measurements with Test Set I-56-A .....  | 30          |
| <i>g.</i> Failure of Dial Lights .....   | 32          |
| VI. SUPPLEMENTARY DATA .....   | 33          |
| VII. TABLE OF REPLACEABLE PARTS .....  | 39          |
| VIII. DRAWINGS .....   | 66          |

**LIST OF TABLES**

| <i>Table</i>  | <i>Page</i> |
|---|-------------|
| I. Components, Dimensions and Weights .....                             | 1           |
| II. Alignment Data .....  | 25          |
| III. Current and Voltage Measurements with "C.W. OSC." OFF .....        | 30          |
| IV. Current and Voltage Measurements with "C.W. OSC." ON .....          | 31          |
| V. Resistance to Ground (Ohms) with "C.W. OSC." OFF .....               | 31          |
| VI. Resistance to Ground (Ohms) with "C.W. OSC." ON .....               | 32          |
| VII. Tube Voltage and Current Chart .....                               | 33          |
| VIII. Characteristics of Tubes, Lamps, Voltage Regulator and Fuse ..... | 34          |
| IX. Description of Transformers (Ref. Nos. 71-100) .....                | 34          |
| X. Parts Described but Not Stocked .....                                | 35          |
| XI. RMA Color Codes .....   | 38          |

## LIST OF ILLUSTRATIONS

| <i>Figure</i>   | <i>Page</i> |
|---|-------------|
| 1. Radio Receiver BC-348-(★) or BC-224-(★) .....  | VIII        |
| 2. Bottom and Back View of Cabinet .....  | VIII        |
| 3. Radio Receiver BC-348-(★) or BC-224-(★), Front View of Chassis with Tube Shelf Cover Removed ..... | 2           |
| 4. Mounting with Plug PL-Q103 Attached .....  | 3           |
| 5. Mounting and Plugs PL-P103 and PL-Q103 .....   | 4           |
| 6. Plug Connections .....   | 5           |
| 7. Radio Receiver BC-348-(★) or BC-224-(★), Top View of Chassis .....                                 | 9           |
| 8. Radio Receiver BC-348-(★) or BC-224-(★), Bottom View of Chassis .....                              | 10          |
| 9. C-W Oscillator Switching .....   | 12          |
| 10. Details of Crystal Filter Circuit .....   | 12          |
| 11. Load Compensator and Bleeder Circuit Details .....  | 13          |
| 12. Details of Output Transformer Connections .....   | 13          |
| 13. Dynamotor DM-28-(★) or DM-24-(★), View Showing Filter Open .....                                  | 16          |
| 14. Dynamotor DM-28-(★) or DM-24-(★), Disassembled .....  | 17          |
| 15. Trouble Location and Correction Chart .....   | 20          |
| 16. Radio Receiver BC-348-(★), Dynamotor and Tube Socket Voltages .....                               | 22          |
| 17. I-F Transformers, C-W Oscillator and Crystal Filter Assemblies .....                              | 23          |
| 18. Radio Receiver BC-348-(★) or BC-224-(★), Rear View of Chassis .....                               | 24          |
| 19. Antenna Unit .....  | 26          |
| 20. R-F Unit .....  | 27          |
| 21. Detector Unit .....   | 28          |
| 22. Oscillator Unit .....   | 29          |
| 23. Radio Receiver BC-348-(★) or BC-224-(★), Resistor Boards, View A .....                            | 66          |
| 24. Radio Receiver BC-348-(★) or BC-224-(★), Resistor Boards, View B .....                            | 66          |
| 25. Radio Receiver BC-348-(★) or BC-224-(★), Resistor Boards Wiring Diagram .....                     | 67          |
| 26. Wiring Diagram, Dynamotor Filter .....  | 68          |
| 27. Wiring Diagram, Crystal Filter .....  | 69          |
| 28. Wiring Diagram, Beat Frequency Oscillator .....   | 70          |
| 29. Wiring Diagram, Oscillator Unit .....   | 71          |
| 30. Wiring Diagram, I-F Transformer .....   | 72          |
| 31. Radio Receiver BC-348-(★), Wiring Diagram, Tube Shelf .....                                       | 73          |
| 32. Radio Receiver BC-224-(★), Wiring Diagram, Tube Shelf .....                                       | 74          |
| 33. Wiring Diagram, Antenna Unit .....  | 75          |
| 34. Wiring Diagram, R-F Unit .....  | 76          |
| 35. Wiring Diagram, Detector Unit .....   | 77          |
| 36. Radio Receiver BC-348-(★), or BC-224-(★), Outline Dimensional Drawing .....                       | 78          |
| 37. Radio Receiver BC-348-(★), Pictorial Wiring Diagram .....   | 79-80       |
| 38. Radio Receiver BC-224-(★), Pictorial Wiring Diagram .....   | 81-82       |
| 39. Radio Receiver BC-348-O or BC-348-S, Schematic Circuit Diagram .....                              | 83-84       |
| 40. Radio Receiver BC-348-E, BC-348-M, or BC-348-P, Schematic Circuit Diagram .....                   | 85-86       |
| 41. Radio Receiver BC-224-(★), Schematic Circuit Diagram .....  | 87-88       |

## **DESTRUCTION OF ABANDONED MATERIEL IN THE COMBAT ZONE**

In case it should become necessary to prevent the capture of this equipment and when ordered to do so, **DESTROY IT SO THAT NO PART OF IT CAN BE SALVAGED, RECOGNIZED, OR USED BY THE ENEMY. BURN ALL PAPERS AND BOOKS.**

### *Means:-*

1. Explosives, when provided.
2. Hammers, axes, sledges, machetes, or whatever heavy object is readily available.
3. Burning by means of incendiaries such as gasoline, oil, paper, or wood.
4. Grenades and shots from available arms.
5. Burying all debris or disposing of it in streams or other bodies of water, where possible and when time permits.

### *Procedure:-*

1. Obliterate all identifying marks. Destroy nameplates and circuit labels.
2. Demolish all panels, castings, switch- and instrument-boards.
3. Destroy all controls, switches, relays, connections, and meters.
4. Rip out all wiring and cut interconnections of electrical equipment. Smash gas, oil, and water-cooling systems in gas-engine generators, etc.
5. Smash every electrical or mechanical part, whether rotating, moving, or fixed.
6. Break up all operating instruments such as keys, phones, microphones, etc.
7. Destroy all classes of carrying cases, straps, containers, etc.
8. Bury or scatter all debris.

**DESTROY EVERYTHING!**

## **UNSATISFACTORY REPORT**

### **FOR U. S. ARMY AIR FORCE PERSONNEL:**

In the event of malfunctioning, unsatisfactory design, or unsatisfactory installation of any of the component units of this equipment, or if the material contained in this book is considered inadequate or erroneous, an Unsatisfactory Report, AAF Form No. 54, or a report in similar form, shall be submitted in accordance with the provisions of Army Air Force Regulation No. 15-54, listing:

1. Station and organization.
2. Nameplate data (type number or complete nomenclature if nameplate is not attached to the equipment).
3. Date and nature of failure.
4. Airplane model and serial number.
5. Remedy used or proposed to prevent recurrence.
6. Handbook errors or inadequacies, if applicable.

### **FOR U. S. NAVY PERSONNEL:**

Report of failure of any part of this equipment during its guaranteed life shall be made on Form N. Aer. 4112, "Report of Unsatisfactory or Defective Material," or a report in similar form, and forwarded in accordance with the latest instructions of the Bureau of Aeronautics. In addition to other distribution required, one copy shall be furnished to the inspector of Naval Material (location to be specified) and the Bureau of Ships. Such reports of failure shall include:

1. Reporting activity.
2. Nameplate data.
3. Date placed in service.
4. Part which failed.
5. Nature and cause of failure.
6. Replacement needed (yes—no).
7. Remedy used or proposed to prevent recurrence.

### **FOR BRITISH PERSONNEL:**

Form 1022 procedure shall be used when reporting failure of radio equipment.



**RESTRICTED**  
**AN 08-10-209**

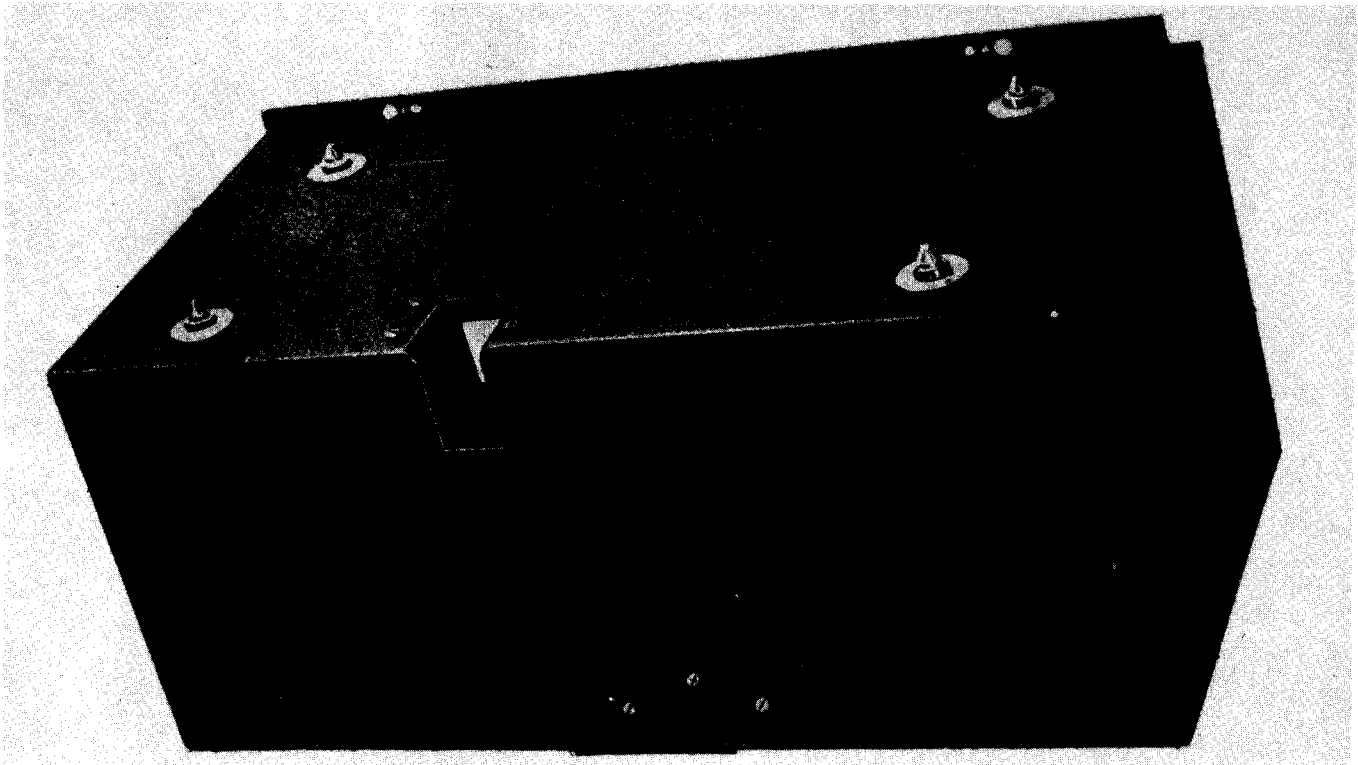
**SAFETY NOTICE**

**OPERATING PERSONNEL MUST NOT  
MAKE ANY ADJUSTMENTS INSIDE OF  
THIS EQUIPMENT UNTIL THE POWER  
SUPPLY HAS BEEN TURNED OFF.**

RESTRICTED  
AN 08-10-209



Figure 1 — Radio Receiver BC-348-(\*) or BC-224-(\*)\*



\* See Special Notice, page 1.

Figure 2 — Bottom and Back View of Cabinet

*HANDBOOK OF*  
MAINTENANCE INSTRUCTIONS  
*for*  
**RADIO RECEIVERS**  
BC-348-E · BC-348-M · BC-348-O · BC-348-P · BC-348-S  
BC-224-E · BC-224-G · BC-224-H · BC-224-L

**SPECIAL NOTICE**

*The radio receivers covered in this handbook are essentially alike, therefore reference will be made to these equipments throughout the book as follows, except in certain cases: "Radio Receiver BC-348-(\*) or BC-224-(\*)." Reference to the dynamotors is made in the same manner (Dynamotor DM-28-(\*) or DM-24-(\*). Although illustrations show only Radio Receiver BC-348-O and its components, this equipment is representative of the others in the group dealt with in this book.*

**SECTION I**  
**GENERAL DESCRIPTION**

**1. GENERAL.**

Each Radio Receiver BC-348-(\*) or BC-224-(\*)\* is a locally controlled, eight-tube, six-band superheterodyne receiver intended for use in U. S. Army aircraft, and covers the frequency ranges of 200 to 500 kilocycles and 1.5 to 18.0 megacycles. All receivers in the 348 series are completely interchangeable within the series as are the receivers of the 224 series within that series. These receivers are not intended for remote control, and no features or units have been provided for remote operation. The receivers are capable of voice, tone, or c-w reception with manual or automatic volume control. When equipped with tubes, dial lights, and fuses and with the antenna, ground, and primary power source connections properly made, these receivers become complete and operative equipments by addition of headsets, inasmuch as all coils and the high-voltage power supply units are contained within the receivers. The total power consumed by these receivers is 56 watts from either a 28-volt or 14-volt d-c source.

Electrically, the filament circuit and high-voltage supply units differ in order to permit Radio Receivers BC-224-E, BC-224-G, BC-224-H, and BC-224-L to operate from a 14-volt power source, and Radio Receivers BC-348-E, BC-348-M, BC-348-O, BC-348-P, and BC-348-S

to operate from a 28-volt power source. A dowel pin fastened to the chassis of the latter receivers prevents accidental installation of the 14-volt dynamotor in the 28-volt receivers.

**2. COMPONENT UNITS.**

Following is a list of the major replaceable parts of the above receivers:

**TABLE I**  
**COMPONENTS, DIMENSIONS AND WEIGHTS**

| <i>Quan.</i> | <i>Component</i>  | <i>Dimensions<br/>(Inches)</i>                             | <i>Weights<br/>(Lbs.)</i> |
|--------------|---|--|---------------------------|
| 1            | Fuse FU-35* or Fuse FU-23**                             | 1 $\frac{1}{4}$ x 1 $\frac{1}{4}$ diam.                    | 0.008                     |
| 2            | Lamp LM-27 each   | 1 $\frac{1}{8}$ x 3 $\frac{3}{8}$ diam.                    | 0.005                     |
| 1            | Mounting<br>(not including Plugs<br>PL-P103 or PL-Q103) | 1 $\frac{7}{16}$ x 8 $\frac{8}{16}$ x<br>18 $\frac{1}{16}$ | 4.1                       |
| 1            | Plug PL-P103 (straight)                                 | 1 $\frac{5}{8}$ x 2 $\frac{5}{32}$ x<br>2 $\frac{31}{32}$  | 0.34                      |
| 1            | Plug PL-Q103 (angle)                                    | 1 $\frac{5}{8}$ x 2 $\frac{5}{32}$ x<br>2 $\frac{3}{32}$   | 0.41                      |

\* Fuse FU-35 for 28-volt receiver.

\*\* Fuse FU-23 for 14-volt receiver.

\* See special notice above.

Section I  
Paragraph 2

RESTRICTED  
AN 08-10-209

| Quan. | Component  | Dimensions (Inches)                       | Weights (Lbs.) |
|-------|--|---|----------------|
| 1     | Radio receiver including dynamotor and the following complement of tubes and equipped with all accessory components except headphones. | 10 $\frac{7}{16}$ x 9 $\frac{9}{16}$ x 18 | 40.194         |
| 1     | Tube VT-48 (JAN-41)  |   |                |
| 1     | Tube VT-65 (JAN-6C5)   |   |                |
| 1     | Tube VT-70 (JAN-6F7)   |   |                |
| 3     | Tube VT-86 each (JAN-6K7)  |   |                |
| 1     | Tube VT-91 (JAN-6J7)   |   |                |
| 1     | Tube VT-93 (JAN-6B8)   |   |                |
| 1     | Voltage regulator RCA991   |   |                |

a. CABINET.—The receiver cabinet is of spot-welded aluminum construction with a black, wrinkle finish and is embossed on the top and back to add rigidity and strength. The panel (front) end allows the removal of the receiver chassis which runs on the stainless steel strips mounted in the end corners of the cabinet. Two tapped inserts are placed in the rear to receive the thumb screw rods which secure the chassis in the cabinet. A cut-

out in the rear bottom permits the entrance of Plug PL-P103 or PL-Q103. An aluminum casting is mounted over this cutout and acts as a seal between the cabinet and the chassis. The bottom of the cabinet is reinforced by a stainless steel plate to which are attached the four mounting studs for securing the cabinet to the mounting. Two snap slides are mounted on the downward projection of the front of the stainless steel plate. (See fig. 2.)

b. CHASSIS.—The chassis consists of an aluminum casting mounted between two end-plates of sheet aluminum which serve as runners and guides when placing the chassis in the cabinet. The end-plates are provided with cutouts to facilitate servicing. (See fig. 3.)

c. PANEL.—The front panel is attached to the chassis and to the end-plates by screws. Two handles are mounted on the panel and two thumb screw rods which secure the chassis in the cabinet pass through the lower part of these handles. A cutout covered by a plate is provided to give access to the wiring under the r-f tube shelf for servicing and maintenance. The following panel items are mounted on the front of the panel: antenna and ground binding posts (marked A and G in lower right hand corner), ANT. ALIGN. control, DIAL LIGHTS rheostat control, TUNING control, BAND SWITCH control, dial window housing which covers the dial

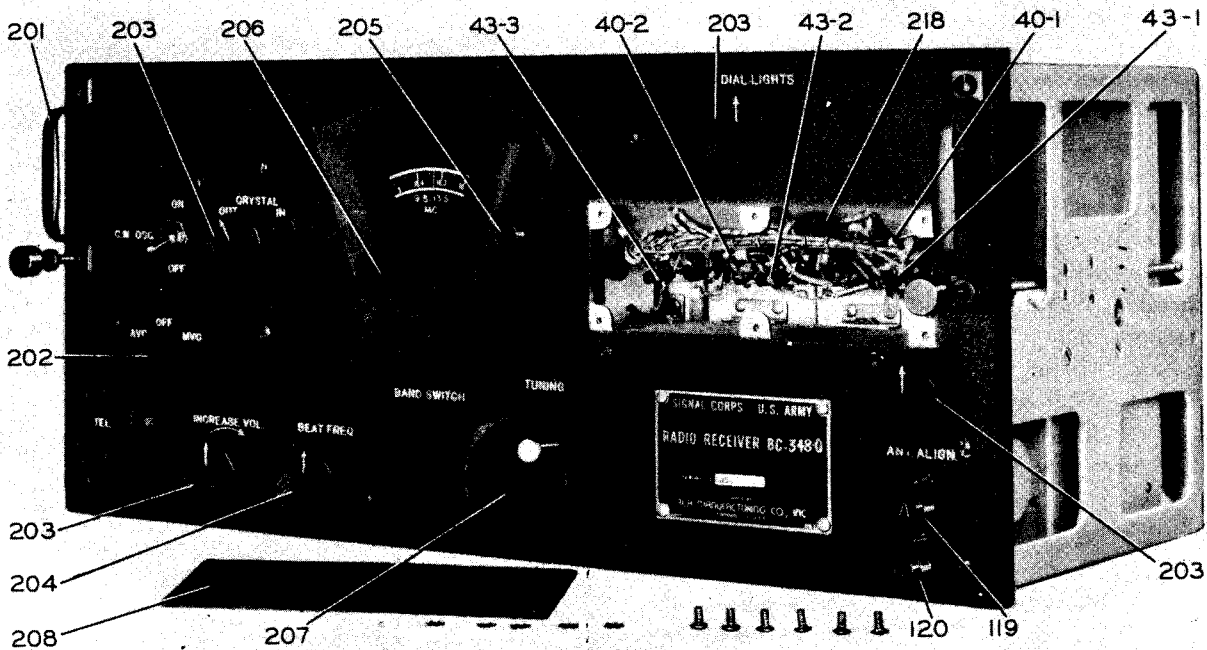


Figure 3 — Radio Receiver BC-348-(\*) or BC-224-(\*), Front View of Chassis with Tube Shelf Cover Removed

lights, BEAT FREQ. control, CRYSTAL filter control, INCREASE VOL. control, AVC - OFF - MVC control, C.W. OSC. control, and two telephone jacks (marked TEL.). (See fig. 1.)

*d.* R-F AND OSCILLATOR UNITS.—The antenna, r-f, first detector, and oscillator sub-assemblies are mounted on the right rear portion of the chassis. Each sub-assembly consists of the r-f coils, trimmers, and band switch wafers with the necessary fixed capacitors and resistors. Passing through all of these sub-assemblies is the band switch drive shaft which is pulled out from the right end of the receiver chassis before a sub-assembly is removed.

*e.* I-F TRANSFORMERS, BEAT FREQUENCY OSCILLATOR AND CRYSTAL FILTER. — These units are mounted on the left, front portion of the chassis. The variable capacitor of the beat-frequency oscillator is controlled through a flexible shaft from the front panel.

*f.* MOUNTING. — Mounting FT-154-E, FT-154-L, FT-154-P, FT-154-T, or FT-154-W is constructed of stainless steel except for the aluminum bases which carry the mounting holes and to which are attached the bases of four shock absorbers. To the top of the shock absorbers is fastened the stainless steel support which provides

for the attachment of the receiver cabinet by means of studs and snapslides. Grooves are provided in the stainless steel support to facilitate the engagement of the studs of the cabinet with the mounting. (See fig. 4.)

*g.* PLUG PL-P103 AND PLUG PL-Q103.—The plug, attached to the mounting by screws, is provided with eight terminals which are accessible upon removal of the rear cover of the plug housing. If provided with a straight outlet, Plug PL-P103 is used. With a right angle outlet, which may be mounted in any of three positions, right, left or back, Plug PL-Q103 is used. The position and use of these outlets with the plug are clearly shown on the outline dimensional drawing in figure 35.

*b.* ILLUMINATION.—The receiver tuning dial is illuminated by means of two dial lights (Lamp LM-27) controlled by the DIAL LIGHTS rheostat. This rheostat has an off position when the illumination is not desired. The dial lights are located beneath a readily removable housing which permits the easy replacement of a dial lamp during flight.

*i.* DYNAMOTOR DM-28-(★) or DM-24-(★).—The dynamotor and associated r-f filter circuits are assembled in one unit. The r-f filters are of the unbalanced type for use with a primary power supply in which the negative

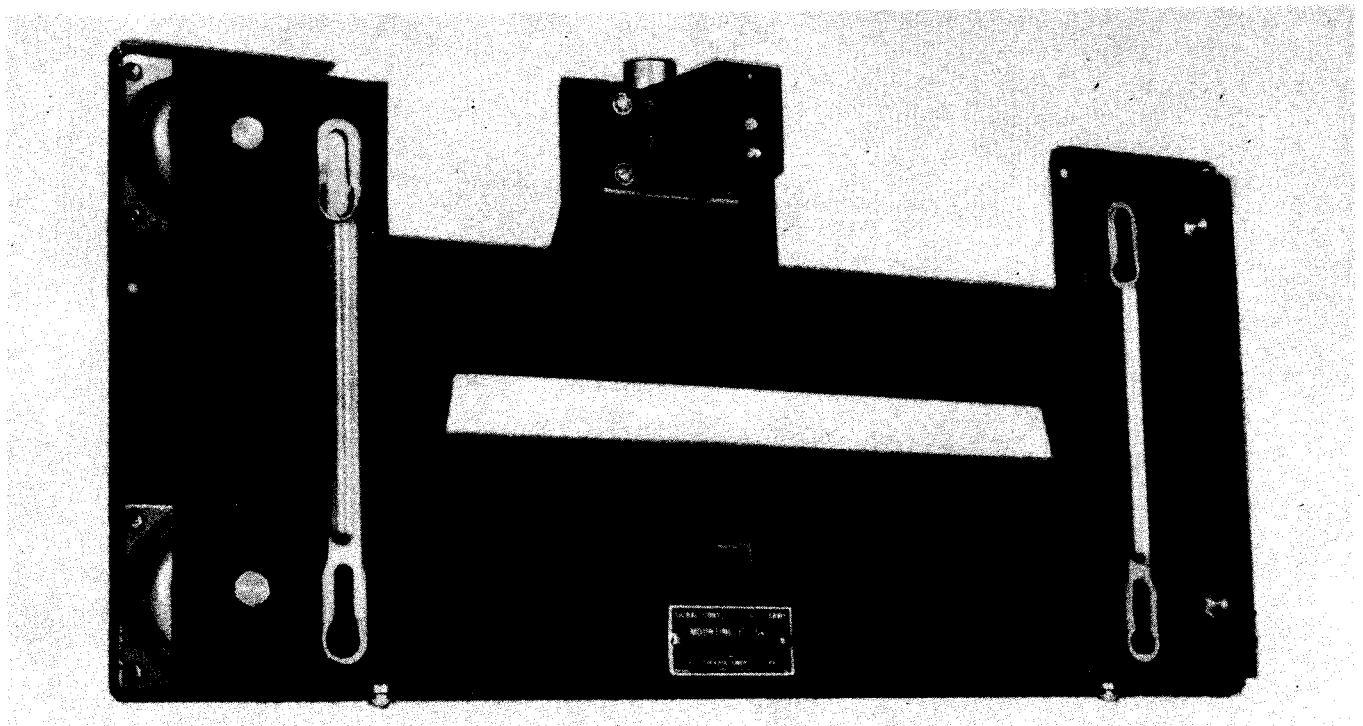


Figure 4 — Mounting with Plug PL-Q103 Attached

side is grounded. This dynamotor supplies all of the high-voltage direct current required for the operation of the receiver and, in addition, a maximum of 20 milliamperes for use in operating accessory equipment.

### 3. POWER REQUIREMENTS.

Total power consumed by the receivers is 56 watts from either a 28-volt or 14-volt d-c source. The plate voltage required for normal operation is 250 volts direct current.

### 4. TUBE DESCRIPTION.

| <i>Tube</i> | <i>Nomenclature</i> | <i>Function</i>            |
|-------------|---------------------|----------------------------|
| VT-86       | JAN-6K7             | 1st r-f amplifier          |
| VT-86       | JAN-6K7             | 2nd r-f amplifier          |
| VT-91       | JAN-6J7             | 1st detector               |
| VT-65       | JAN-6C5             | Oscillator                 |
| VT-86       | JAN-6K7             | 1st i-f amplifier          |
| VT-70       | JAN-6F7             | C-W oscillator and 2nd i-f |
| VT-93       | JAN-6B8             | 3rd i-f and 2nd detector   |
| VT-48       | JAN-41              | Audio output amplifier     |

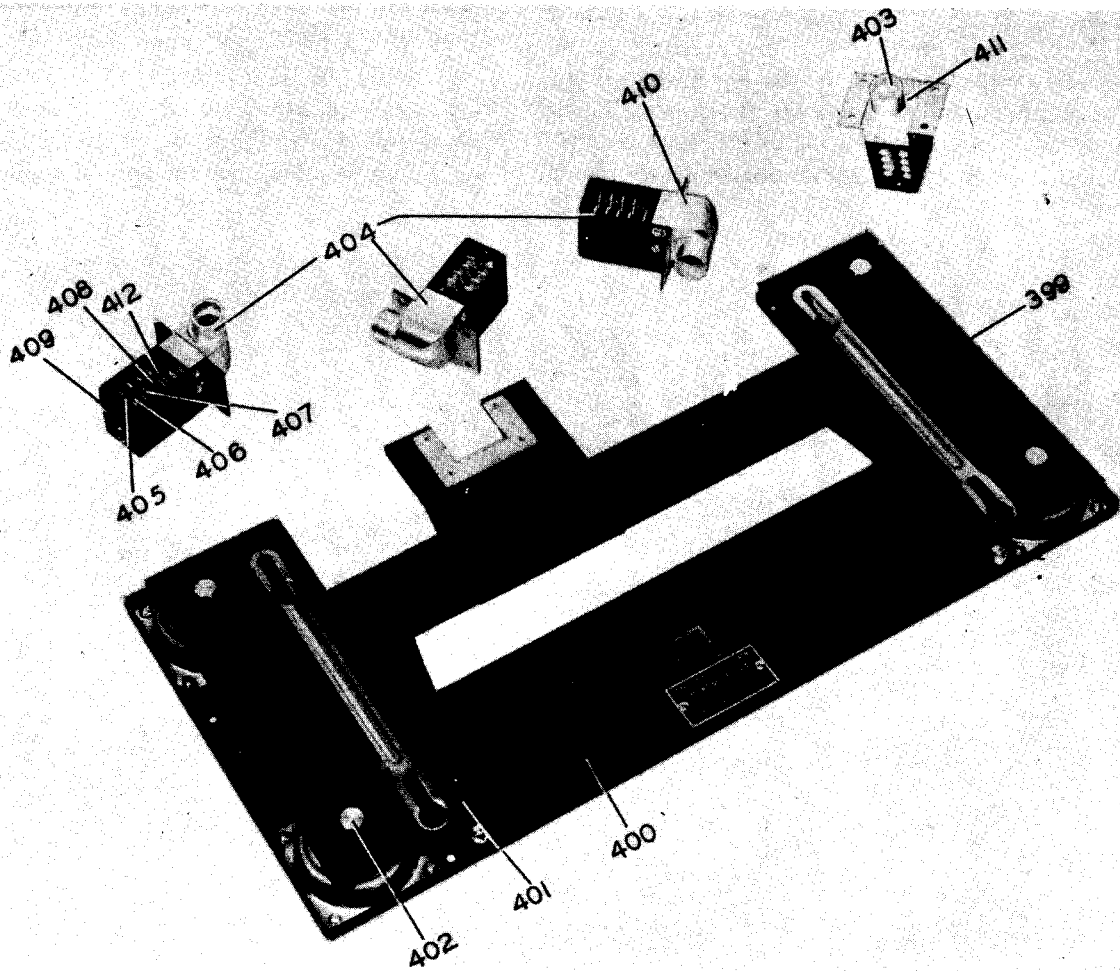


Figure 5 — Mounting and Plugs PL-P103 and PL-Q103

## SECTION II INSTALLATION AND ADJUSTMENT

### 1. INSTALLATION:

*a. MOUNTING.*—Mount the receiver on a flat surface with sufficient clearance allowed on all sides to permit free action of the shock absorber mounting. Permanently attach the mounting to the rigid members of the plane.

*b. POWER CONNECTIONS.*—The leads to the primary power source are connected as shown in figure 6. The parallel connected leads from plug terminals 3 and 4 may be replaced by a single conductor of cross section equivalent to the two separate leads. Similarly, the parallel connected leads from plug terminals 7 and 8 may be replaced by a single conductor of equivalent cross sectional area.

*c. TRANSMITTER CONNECTIONS.* — Provisions have been made for the protection of this receiver when

the associated transmitter is being used. Wire the leads from plug terminals 2 and 6 to contacts on the transmitter relay. If the transmitter is removed from the installations, or if the receiver is being installed without an associated transmitter, the wires from plug terminals 2 and 6 must be connected together in order to have the receiver operate.

*d. OUTPUT CONNECTIONS.*—The output of this receiver has been brought to plug terminals 1 and 5 and to the two front-panel jacks. Wire the leads from these terminals to the interphone system or wherever desired. If the output is desired only at the receiver, take it directly from the phone jacks and make no connections to plug terminals 1 and 5. Provision has been made to change the output from high to low impedance by removing the lead wire from terminal #4 of the output transformer and connecting it to terminal #2.

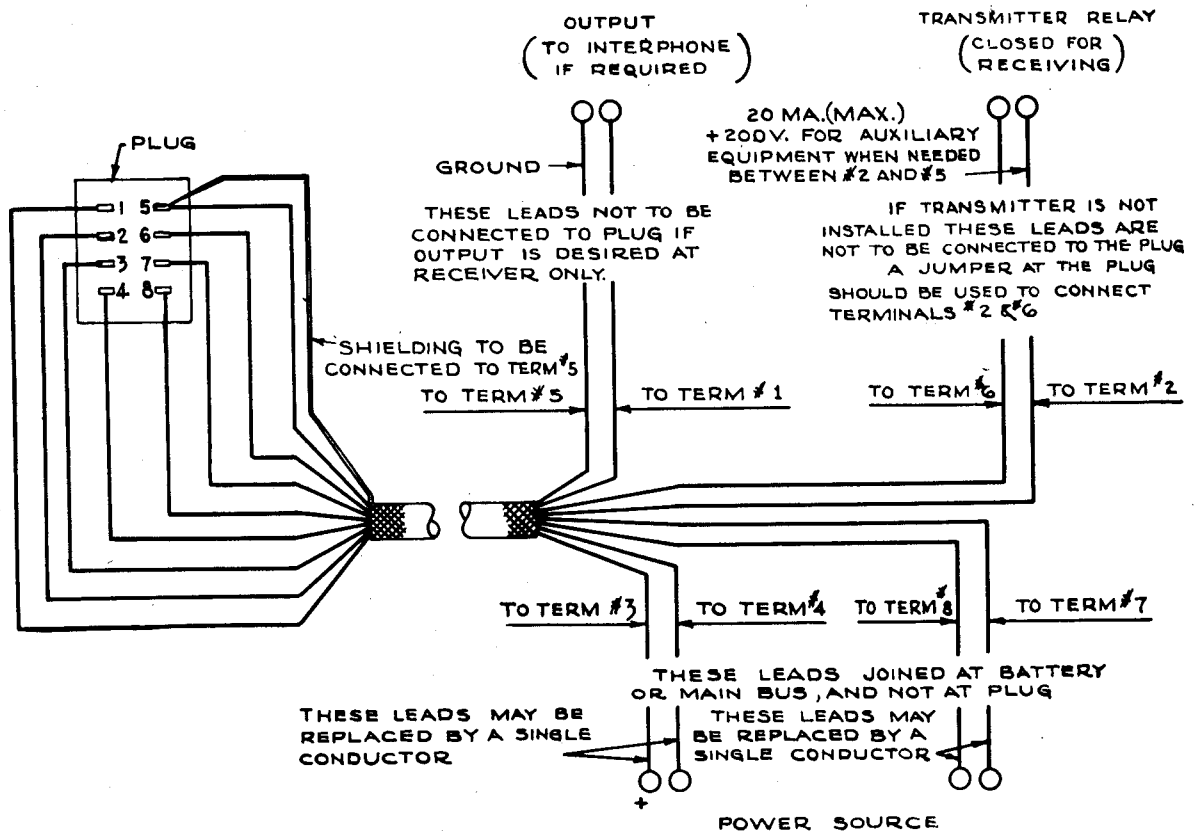


Figure 6 — Plug Connections

e. **BONDING AND SHIELDING.**—At the time of installation of this equipment, make sure the engine ignition system, generator, and other possible causes of disturbance are properly shielded and that bonding of metal parts is carefully carried out according to Army Air Forces Specification No. 32310-B.

f. **MOUNTING OF RECEIVER.**—When proper wiring connections have been made, place the receiver on its mounting with the studs on the bottom of the cabinet entering the slots of the mounting. See that the cabinet is well down on the mounting and that all four studs are fully seated, then push the cabinet towards the rear and secure in place by the snapsides on the lower front corners of the cabinet. (See fig. 2.)

g. **SAFETY WIRE.** — Pass safety wire through the holes of the snapslide assemblies, but be sure that the wires are not twisted too tightly.

b. **GROUND.**—Connect the ground binding post "G" by a short, direct, low-resistance lead to some grounded metal portion of the plane and solder at that point if practicable. Make sure that the lead has enough slack to prevent vibration being transmitted to the receiver.

i. **ANTENNA.**—The antenna circuit aligning capacitor is operative on bands 2, 3, 4, 5, and 6. No external adjustment is required for band 1. The alignment capacitor is such that the antenna circuit can be properly aligned when using antennas that range in effective capacitance from 50 to 200 micro-microfarads. However, satisfactory performance will be obtained on practically

any type of mast, fixed, or trailing wire antenna. In extreme cases such as very short mast or very long trailing wire, optimum setting of the antenna alignment control may not be obtained. In general, the most effective antenna is the one farthest away from the grounded metal fuselage. Locate the receiver as near as possible to the lead-in insulator and connect it from the insulator to the antenna binding post "A" by a copper wire. Make sure the lead has enough slack to prevent vibration being transmitted to the receiver.

## 2. PREPARATION FOR USE.

This receiver is a self-contained unit, having its high-voltage power supply and all coil sets built in. *Before installing the tubes, check them with the required tube checker. Be sure that the proper tubes are installed, are well pushed down and firmly seated in their sockets, that the tube shield is properly seated, and that grid caps fit tightly on the tubes.*

Check dial lights and fuse and see that they are properly and securely placed. Make sure the leads to the dynamotor are properly connected at the dynamotor terminal strip and that the screws holding them in place are tight. With the receiver AVC-OFF-MVC switch in the MVC position and the band switch on band 2, tune in a signal by means of the tuning control at approximately 3.5 megacycles to maximum signal strength. Reduce volume by means of the volume control knob until the signal is just audible. Adjust the antenna alignment control to give maximum volume.



## SECTION III OPERATION

### 1. GENERAL PROCEDURE.

*a.* POWER SWITCH.—Power to the receiver is controlled by the receiver AVC-OFF-MVC switch. With this switch in the OFF position, no power is supplied to the receiver. When switched to either the MVC or AVC position, power from the primary source is supplied to the tube heaters and dynamotor, thus placing the equipment in operation. The screen-grid voltage-supply leads are carried out of the receiver through the power plug to the keying relay of the associated transmitter where the circuit is opened when actually transmitting as discussed in section II, paragraph 1*c*.

*b.* OPERATING TEST.—When the receiver has been completely installed, make an operating test as follows:

(1) Plug a headset into one of the jacks marked TEL. Set receiver switch to MVC. After the tubes have warmed up (approximately 30 seconds), advance the volume-control knob until a slight background noise is heard. Set the band switch to the frequency band in which test signals are available.

(2) Using the tuning knob and with reference to the calibrated scale on the dial, tune in the desired signal.

#### NOTE

All tuning must be done on MVC with the volume control advanced only enough to give the desired signal strength. In the absence of a signal, the setting of the volume control can be judged by the loudness of the background noise. With the volume control set at maximum on MVC, very strong carrier waves will block the receiver and prevent the reception of intelligible signals.

(3) Rotate the receiver switch to AVC. The desired signal should still be heard.

(4) With the beat-frequency adjustment at zero-beat position (arrow on knob pointing up) turn the c-w oscillator switch to the ON position. An audible beat-note, which will vary in pitch when the beat-frequency adjustment is changed, should be heard.

(5) With the c-w oscillator still ON, rotate the crystal filter switch to IN. Noise should be greatly reduced. The signal can be tuned out by a much smaller movement of the tuning-control knob than when the

crystal filter switch is in the OUT position.

(6) Turn the dial light rheostat and see if the functioning of the dial lights controls the illumination.

(7) Make a check before flight with the airplane engine running. An increase of background noise when the engine starts indicates imperfect shielding, bonding, faulty generator regulator, faulty generator, open filter capacitors, or a combination of these faults.

(8) Always turn the receiver switch to the OFF position when the receiver is not to be used.

#### *c.* OPERATING ROUTINE.

##### (1) CONTROLS.

(*a*) ANTENNA AND GROUND BINDING POSTS. — The antenna is connected to the binding post marked A and the ground lead to the binding post marked G.

(*b*) ANTENNA ALIGNMENT CONTROL.— This control varies a capacitor for aligning the input circuit to a given antenna. Make this adjustment with the receiver tuned to approximately 3.5 megacycles.

(*c*) TUNING CONTROL.—This control varies the setting of the four-gang, variable-tuning capacitor.

(*d*) BAND SWITCH CONTROL.—This control selects the desired frequency band as indicated on the dial mask.

(*e*) DIAL LIGHTS CONTROL. — This knob controls the intensity of dial illumination and is provided with an off position.

(*f*) C-W OSCILLATOR SWITCH.—This toggle switch controls the operation of the c-w oscillator as well as the avc time constant for c-w reception.

(*g*) CRYSTAL FILTER SWITCH.—This control permits the insertion of an i-f crystal filter when extreme selectivity is desired.

(*b*) BEAT FREQUENCY CONTROL. — This control permits vernier adjustment of the c-w oscillator frequency and in tuning should be set near the zero-beat position (arrow on knob pointing up).

(*i*) VOLUME CONTROL.—This control is for sensitivity adjustment on MVC operation and output level adjustment on AVC operation. When switching from MVC to AVC, or vice versa, it will generally be

necessary to readjust this control to maintain a given volume level as only under certain conditions of signal strength will the volume level remain unchanged.

(j) AVC-OFF-MVC SWITCH. — This three-position switch in the OFF position removes all power from the receiver. In the MVC position the receiver is operative with manual volume control while in the AVC position the automatic volume control is functioning.

(k) TELEPHONE JACKS.—These are open circuit jacks providing connections to the headset.

(2) MODULATED SIGNAL RECEPTION.

(a) Throw the AVC-OFF-MVC switch to MVC and set other switches and controls as follows: C.W. OSC to OFF and CRYSTAL to OUT. Set the antenna alignment as in section II, paragraph 13.

(b) Set the band switch to the desired frequency band and adjust the tuning control to the desired frequency. It is of great importance that this tuning be accomplished with the receiver switch in the MVC position.

**NOTE**

Do not use the AVC position while tuning in a signal. Always tune with the receiver switch in the MVC position and with the volume control advanced only as far as required for a comfortable output level.

(c) Increase the volume control until the desired signal is heard or the background noise attains a fair level.

(d) Adjust the tuning control until maximum output from the desired signal is obtained. This insures correct alignment or proper tuning of the receiver.

(e) If automatic volume control is desired, switch to the AVC position and readjust the volume control for the desired output level.

(3) C-W RECEPTION.

(a) The procedure is the same as outlined above except that the c-w oscillator switch is ON and tuning is accomplished with the beat frequency control set near the zero beat position (arrow on knob pointing up).

(b) After tuning in the desired signal the beat frequency control may be varied and the frequency of the beat note adjusted as desired.

(c) Use automatic volume control for c-w reception by switching to the AVC position and readjusting the volume control.

(d) When extreme selectivity is desired to minimize interference, switch the crystal filter to IN. A slight readjustment of the tuning, beat frequency, and volume controls may be required to secure the desired beat-note frequency and volume level.

**NOTE**

The crystal band pass filter is intended primarily for use in c-w reception. However, the added selectivity may at times prove helpful in receiving modulated signals through heavy interference.

## SECTION IV MECHANICAL AND ELECTRICAL CHARACTERISTICS

### 1. CIRCUITS.

Electrically, the receiver comprises two stages of tuned radio-frequency amplification preceding the first detector, a temperature-compensated heterodyne oscillator, three intermediate-frequency amplifier stages, a second detector and one stage of audio-frequency amplification with a transformer output circuit. A crystal band-pass filter and beat-frequency oscillator are also included. The former is for increasing selectivity and the latter for receiving c-w signals. The schematic and wiring diagrams are shown in figures 27, 28, 37, and 38.

### 2. FREQUENCY RANGE AND FREQUENCY BANDS.

The frequency range of 1.5 to 18.0 megacycles is covered in six bands which are under the control of a band change switch. The frequency range for each of the six bands is given in the following table:

| Band        | Frequency Range<br>Megacycles |
|-------------|-------------------------------|
| 1 . . . . . | 0.2— 0.5                      |
| 2 . . . . . | 1.5— 3.5                      |
| 3 . . . . . | 3.5— 6.0                      |
| 4 . . . . . | 6.0— 9.5                      |
| 5 . . . . . | 9.5—13.5                      |
| 6 . . . . . | 13.5—18.0                     |

### 3. INPUT COUPLING.

The antenna input circuit is capacitively coupled to the first tuned grid circuit by means of the antenna alignment capacitor. Sufficient range is available in this capacitor to permit alignment for antenna capacities within the limits of 50 to 2000 micromicrofarads. The antenna input circuit is designed for antennas with a resistance of 1 to 5 ohms.

### 4. INPUT PROTECTION.

Resistor 50-1 offers a leakage path for static charges

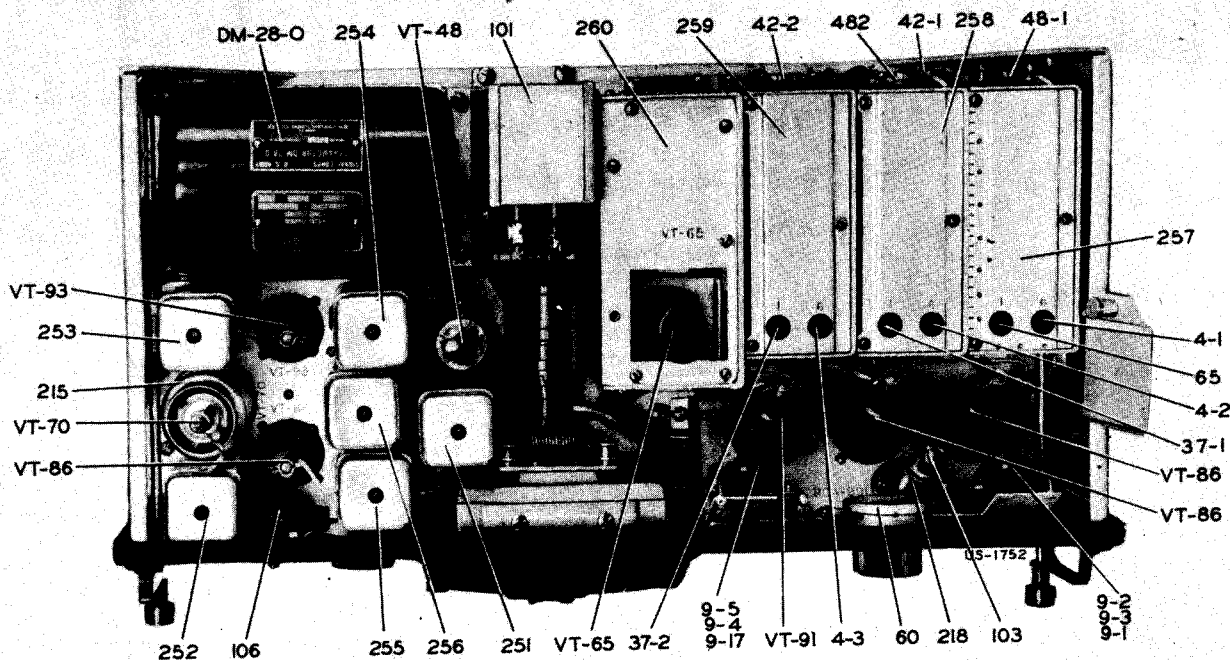


Figure 7 — Radio Receiver BC-348-(\*) or BC-224-(\*), Top View of Chassis

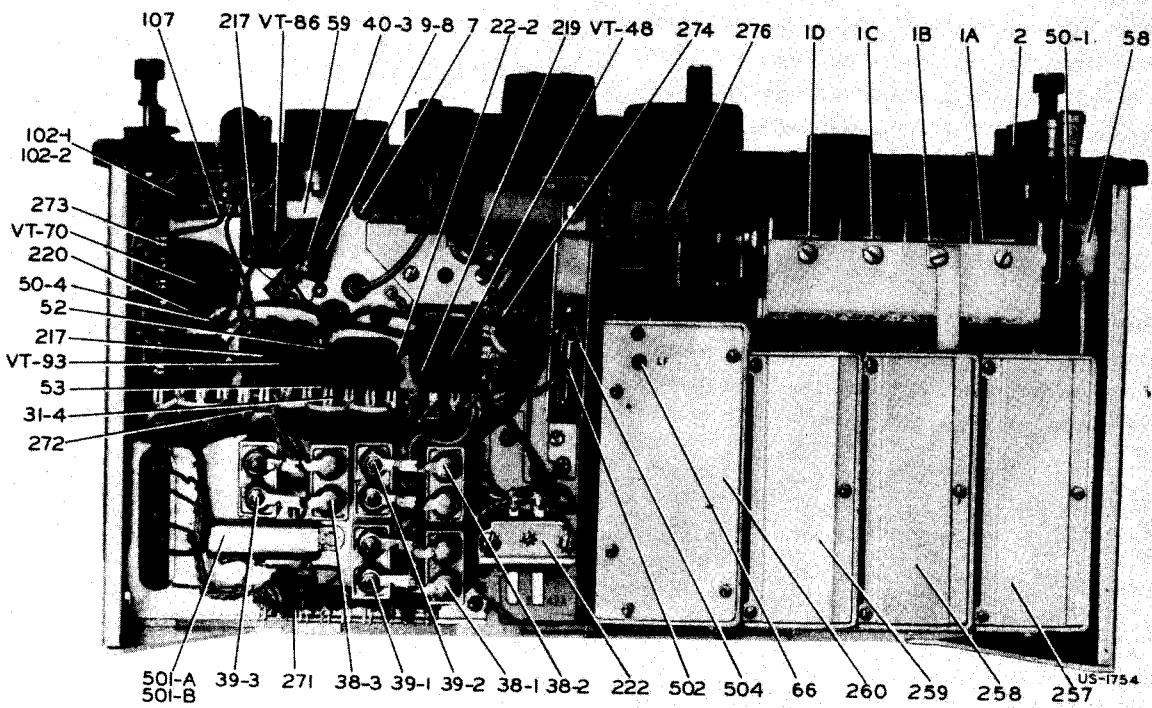


Figure 8 — Radio Receiver BC-348-(\*) or BC-224-(\*) Bottom View of Chassis

which may be collected on the antenna. The input circuit will withstand the application of 250 volts d-c without damage. For protection against the application of r-f voltages up to 30 volts rms the input circuit provides for the overshooting of the grid of the first r-f tube and the building up of a protective negative grid bias across grid filter resistor 48-1.

### 5. RADIO-FREQUENCY AMPLIFIER.

The radio-frequency pre-selector comprises three tuned circuits employing two super-control pentode amplifier tubes, Tube VT-86, (JAN-6K7). Separate inductances are employed for each frequency band. The r-f gain of each of the six bands is kept uniform by maintaining the proper turn ratio between the grid and plate circuit for each of the respective bands. A relatively low signal level is maintained at the grid of the first detector tube, thus insuring freedom from cross-modulation interference.

### 6. FIRST DETECTOR.

The first detector uses Tube VT-91 (JAN-6J7) which has a sharp cutoff characteristic. The low signal level at the grid of the first detector, together with the r-f pre-selection, insures a minimum of undesired responses. The oscillator output is coupled into the cathode circuit of this tube. Separate cathode coupling coils provide optimum oscillator output for each frequency band.

### 7. HETERODYNE OSCILLATOR.

The heterodyne oscillator employs a tuned grid, plate-feedback circuit, utilizing triode Tube VT-65 (JAN-6C5). On the oscillator frequency the effects of wide variations in ambient temperature under service conditions have been reduced to a minimum by the use of a highly stabilized tuning capacitor and temperature compensation with ceramic fixed capacitors 34, 35, 36 and 64.\* Individual inductances and trimmers are employed for each frequency band, and the low-impedance coupling circuit to the cathode of the first detector insures a freedom from frequency instability with load variation or detector circuit tuning. On the four lower frequency tuning bands, the oscillator frequency is higher than the desired signal by the intermediate frequency. On the two higher frequency ranges, bands 5 and 6, the oscillator is on the low-frequency side of the desired signal. This results in a more uniform tuning ratio over these bands and increases the image-rejection ratio.

### 8. INTERMEDIATE-FREQUENCY AMPLIFIER.

The intermediate-frequency amplifier comprises three

\*33, 34, 35 and 36 are used in BC-348-E, BC-348-M, and BC-348-P.

low gain amplifying stages coupled by four highly selective, double-tuned, circuit transformers. The intermediate frequency used is 915 kc,  $\pm 0.1\%$ . The i-f transformers are tuned by means of adjustable iron cores and fixed capacitors. The increased permeability resulting from the use of the iron cores contributes largely to the highly selective transformer characteristics while the lowered tuned circuit impedance, secured by the relatively large fixed tuning capacitors, provides an inherently stable amplifier. Tube VT-86 (JAN-6K7) functions as the first i-f amplifier while the pentode section of Tube VT-70 (JAN-6F7) is used as the second i-f amplifier. Tube VT-93 (JAN-6B8), the third i-f amplifier, supplies a relatively high-level signal to the diodes of this same tube.

### 9. C-W OSCILLATOR.

a. The c-w oscillator uses the triode section of Tube VT-70 (JAN-6F7, second i-f amplifier tube) in a tuned-grid, plate-feedback circuit. The adjustable iron core in grid inductance 98 is employed for rough frequency alignment while a small panel-operated variable capacitor permits fine adjustment of the beat frequency within a range of approximately 4000 cycles each side of zero. The effects of ambient temperature variations are minimized by the use of a temperature-compensated tuned circuit. The c-w oscillator operates at an extremely low level, minimizing harmonics and stray oscillator pickup. The output is capacitively coupled to the plate circuit of the second amplifier tube by the coupling lead connected to the oscillator grid. Amplification by the third i-f amplifier stage, the gain of which is not controlled either by manual or avc, provides sufficient output from the c-w oscillator to the diode detector. This value of oscillator output is somewhat below the level at which the avc operates, thus permitting the use of automatic volume control even for c-w reception.

b. The c-w oscillator switch 106 in the ON position supplies the oscillator plate voltage and increases the avc time constant by connecting the additional capacitor 101-C. Switch 106 supplies the oscillator plate voltage by connection to the screen grids of the first and second i-f and first r-f tubes. The same switching connects loading resistor 43-4 which drops the screen voltage on the first and second i-f and the first r-f tubes to a value that reduces the sensitivity by an amount sufficient to keep the overall noise of the set essentially constant. This arrangement for supplying the c-w oscillator has added advantages which are not obvious. In order to have sufficient oscillator excitation available to handle high detector levels encountered with avc operation and strong signal inputs, while still keeping the no signal c-w excitation below the avc delay level, it is de-

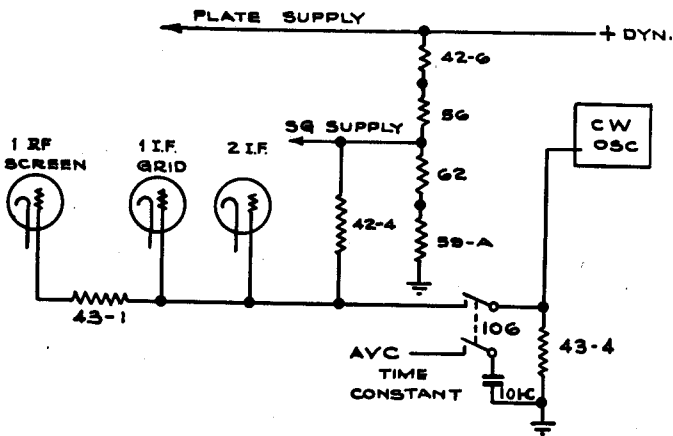


Figure 9 — C-W Oscillator Switching

sirable to have the c-w oscillator output increase as a strong signal input raises the avc bias. The circuit arrangement, as shown in figure 9, accomplishes this as follows: with the AVC-OFF-MVC switch 107 in the AVC position, resistors 42-6, 56, 59-A, and 62 form a fixed bleeder supplying the screen-grid voltage to r-f, 1st detector, and i-f tubes. A strong input signal building up the avc bias causes a considerable decrease in screen current and hence an increase in the screen supply voltage. This increases the voltage supplied to the c-w oscillator and hence the excitation increases in proportion to signal level at the detector.

### 10. CRYSTAL BAND-PASS FILTER.

Additional selectivity is available by the use of the i-f crystal filter preceding the first i-f amplifier tube. This crystal filter comprises a balanced capacity bridge circuit which may be adjusted internally to provide a band width of 800 to 3000 cycles at 20 decibels down from resonance. The tapped tuned circuit (19 and 96) matches the impedance of the crystal bridge to the 1st i-f grid. The crystal filter may be switched in or out of the circuit by CRYSTAL OUT-IN switch 105, actuated from the front panel. The filter band width is adjustable by balancing capacitor 7. The band width is set at approximately 2000 cycles. For adjustment see paragraph 8c of section V.

### 11. SECOND DETECTOR AND AUTOMATIC VOLUME CONTROL.

Tube VT-93 (JAN-6B8) also functions as the second detector. A relatively high level signal is supplied by the third i-f amplifier to the diodes of this tube. One diode functions as the signal linear detector while the other

diode is capacity coupled and provides high level delayed avc control bias.

### 12. OUTPUT.

a. DESCRIPTION.—The high-level signal diode supplies audio output for driving output Tube VT-48 (JAN-41) without additional audio amplification. The design choice of three i-f amplifier stages and high level detection results in a number of operating advantages. The high level detection is relatively free from distortion due to avoiding the characteristic curvature at the lower end of the diode curve. The direct drive of the output tube from the diode detector simplifies the dynamotor ripple filtering and eliminates possible microphonics resulting from high audio amplification. The high diode level further provides relatively high bias voltage insuring an unusually flat automatic volume control characteristic with the desired time delay. The dual volume control comprises potentiometers 59-A and 59-B. Potentiometer 59-B functions only with switch 107 in the AVC position and, in this position, it permits the desired adjustment of the audio level to the output tube and load. For manual volume control with switch 107 in the MVC position, potentiometer 59-A becomes the active control operating on the cathode bias of the r-f and the 1st and 2nd i-f amplifier tubes. These potentiometers have two linear resistance tapers providing a smooth variation of sensitivity. Automatic load compensation is obtained by the method of biasing the output tube. Here, the grid bias is obtained from the resistance drop across the dynamotor filter reactor, thus, any tendency towards a decreasing load on the dynamotor results in a slight decrease in the bias of the output tube with a compensating increase in the load current. (See fig. 11.) Tube VT-48 (JAN-41) provides a considerable margin of power capability above that necessary to operate a number of headsets in parallel.

b. CONSTANT INTERNAL RECEIVER NOISE.—The characteristic increase of internal receiver noise when tuning from the low to the high-frequency end of

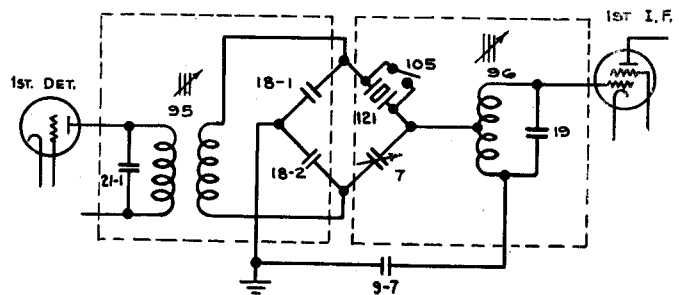


Figure 10 — Details of Crystal Filter Circuit

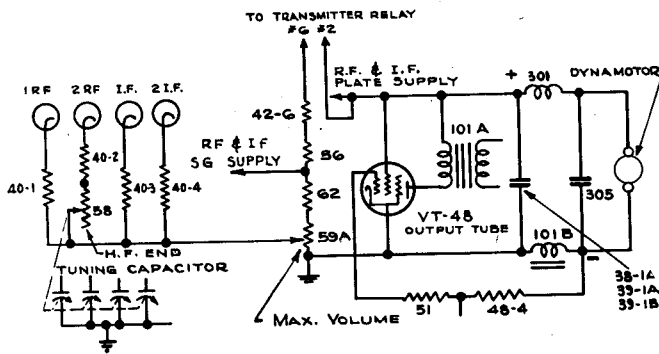


Figure 11 — Load Compensator and Bleeder Circuit Details

a band has been reduced in this design by means of variable resistor 58. The function of this potentiometer can be more clearly understood by reference to figure 11. Here, the noise compensator potentiometer 58 is mechanically connected to the shaft of the ganged tuning capacitor with the electrical connections such as to give minimum resistance at the low-frequency end of the band. The cathode return lead of the second r-f amplifier tube connects to the noise compensator potentiometer 58 and hence the gain of this stage is decreased proportionately as the tuned r-f circuit impedance increases when tuning toward the higher frequency end of each band. This arrangement tends to maintain the noise level and receiver sensitivity essentially constant over the tuning ranges.

c. OUTPUT IMPEDANCE. — This receiver is furnished with an audio output transformer which permits operation into a wide range of load impedance (see fig. 12). With the receiver as normally supplied, the audio output connection is made to terminal #4 of the audio pack (transformer 101A). This is the proper connection for load impedances from 1000 to 10,000 ohms with optimum operation at a load impedance of 4000 ohms. To operate the receiver with a load impedance of 300 ohms the audio output lead should be removed from terminal #4 and soldered to terminal #2 on the audio pack. This is the proper connection for load impedances from 75 to 800 ohms.

### 13. DYNAMOTOR.

The dynamotor and associated r-f filter circuits are assembled in one unit. The r-f filters are of the unbalanced type for use with a primary supply in which the

negative side is grounded. This dynamotor supplies all of the high-voltage direct current required for the operation of the receiver and, in addition, a maximum of 20 milliampères for use in operating accessory equipment.

### NOTE

The dowel pin on the chassis of 28-volt receivers, which fits into the hole in the dynamotor mounting base, prevents accidental installation of 14-volt dynamotors in 28-volt receivers.

### 14. DIAL AND MASK ASSEMBLY.

The dial and mask assembly is mounted on an aluminum casting which carries the gearing of the tuning capacitor drive and the detent. This unit is attached to the front panel and connects to the band switch drive shaft through a coupling of the Oldham type. The dial is divided into six frequency bands, and the dial and tuning capacitor are so geared to the tuning control shaft that the tuning capacitor covers the frequency range indicated on the dial for each band in approximately 90 revolutions of the tuning knob. Split gearing is used throughout to minimize backlash. A positive stop is provided to prevent undue pressure on the gears and to limit the travel of the dial and the tuning capacitor. A mask with suitably located and marked windows is mounted before the dial. The mask is controlled by the band change switch and is positioned by the detent.

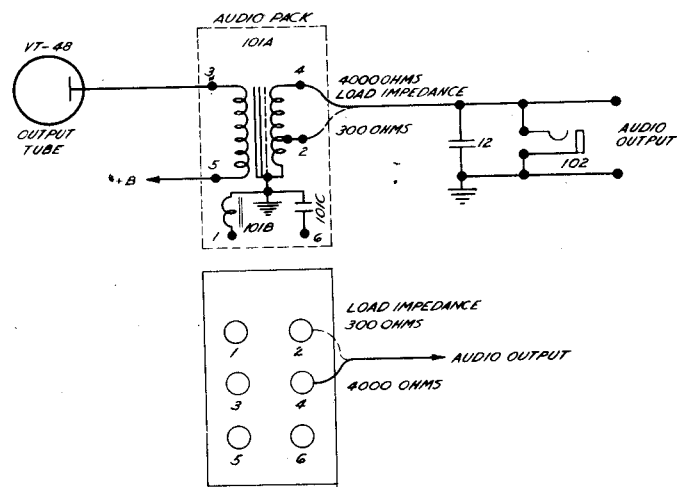


Figure 12 — Details of Output Transformer Connections

## SECTION V MAINTENANCE

### NOTE

Use a standard signal generator, a phantom antenna, Test Set I-56-A, and other like equipment for alignment purposes and follow the instructions in this book carefully.

#### 1. INSPECTION.

*a. DAILY.* — Turn on receiver. Check dial lamps. Check for operation on all bands with c-w oscillator on. Make this test by observing noise level with volume control at maximum.

*b. 25 HOURS.*—Repeat the above with an additional check of antenna, ground and cable connections for effects of vibration.

*c. 100 HOURS.*—Repeat the above with an additional check of all vacuum tubes, regulator tube and dial lamps. Inspect receiver for loose grid clips, tube shield, etc. Inspect all tubes with model 685 type 2, tube checker of Test Set I-56-A.

*d. MAJOR OVERHAUL.*—Repeat the above with inspection and replacement of dynamotor brushes, if necessary. Lubricate dial and tuning condenser drive mechanism. Check dynamotor and tube socket voltages as described in paragraph 8c (1) and (3), this section.

#### 2. REPLACEMENT OF DIAL LAMPS AND FUSES.

*a. DIAL LAMPS.*—Unscrew #205 thumb screw on right and left of dial lamp housing and remove the housing, thereby exposing the lamps. The bulbs are of the bayonet base type. Remove by lightly pressing down on the top of the bulb and turning slightly to the right. Then, lift out and replace by inserting the new bulb into the socket, pressing down lightly and turning to the left. Change both bulbs when either one burns out.

*b. FUSES.*—Remove the chassis from its case and if a visual inspection does not reveal the cause of a blown fuse, make a thorough electrical test before replacement. The fuse is of the small glass cartridge type located

at the center of the chassis on the bottom. Remove the old fuse by lifting it out of the spring clips and replacing with a new fuse rated at 5 amperes in the same clips.

#### 3. CARE AND SERVICING OF DYNAMOTOR.

*a. PROCEDURE FOR REMOVAL.* — Follow this procedure to remove the dynamotor and filter assembly from the receiver chassis:

(1) Loosen the two thumb screws on the receiver panel and draw the chassis from the cabinet.

(2) Lay the chassis with top upwards on a smooth, flat surface with the rear toward the operator.

(3) Depress the retaining spring and withdraw the left thumb screw rod.

(4) Loosen the five connector screws on the dynamotor terminal strip and withdraw the spade terminals from beneath them.

(5) Loosen the four captive screws 211, figure 13, which hold the dynamotor unit to the chassis.

(6) Remove the dynamotor and filter assembly from the receiver by grasping the dynamotor and lifting vertically.

(7) The filter portion of the dynamotor unit is made accessible by the removal of the cover at the bottom. See figure 13.

*b. LUBRICATION.*—This dynamotor requires lubrication after 1000 hours or approximately 6 months of ordinary service. Lubricate only with Air Corps grade 375 grease. The directions for lubrication are stamped on the inside of the end-bell dust covers. Access to the bearings of the dynamotor is obtained by removing the dust covers after first cutting the safety wires and removing the retaining screws, then unscrewing the bearing end plates. Do not PACK the lubricant in these bearings.

*c. SERVICING BALL BEARINGS AND COMMUTATORS.*—When necessary to replace the ball bearings or turn down the commutators, first remove the brushes from their cartridges. Remove the nuts from the tie rods



which hold the bearing end-bells and pull the end-bells away from the field coil assembly. Now take out the armature. Examine the brushes to see that they have worn properly and are free from hard spots. Should such spots be apparent (they generally cause grooves in the commutator surface), replace the brush and smooth down the commutator. The ball bearing retainers and the shaft are machined for very snug fits, but a slight tapping will loosen them. To remove the bearing retainers

from the end-bells use two small screwdrivers as wedges between the outer ball race and the end-bell. If the grease slinger becomes bent during removal, straighten and replace on the shaft before replacing the bearing.

d. SMOOTHING THE COMMUTATOR. — To smooth the commutator rotate it in a lathe holding a fine grade of sandpaper, not coarser than size 00, lightly against the commutator surface. Do not use emery cloth.

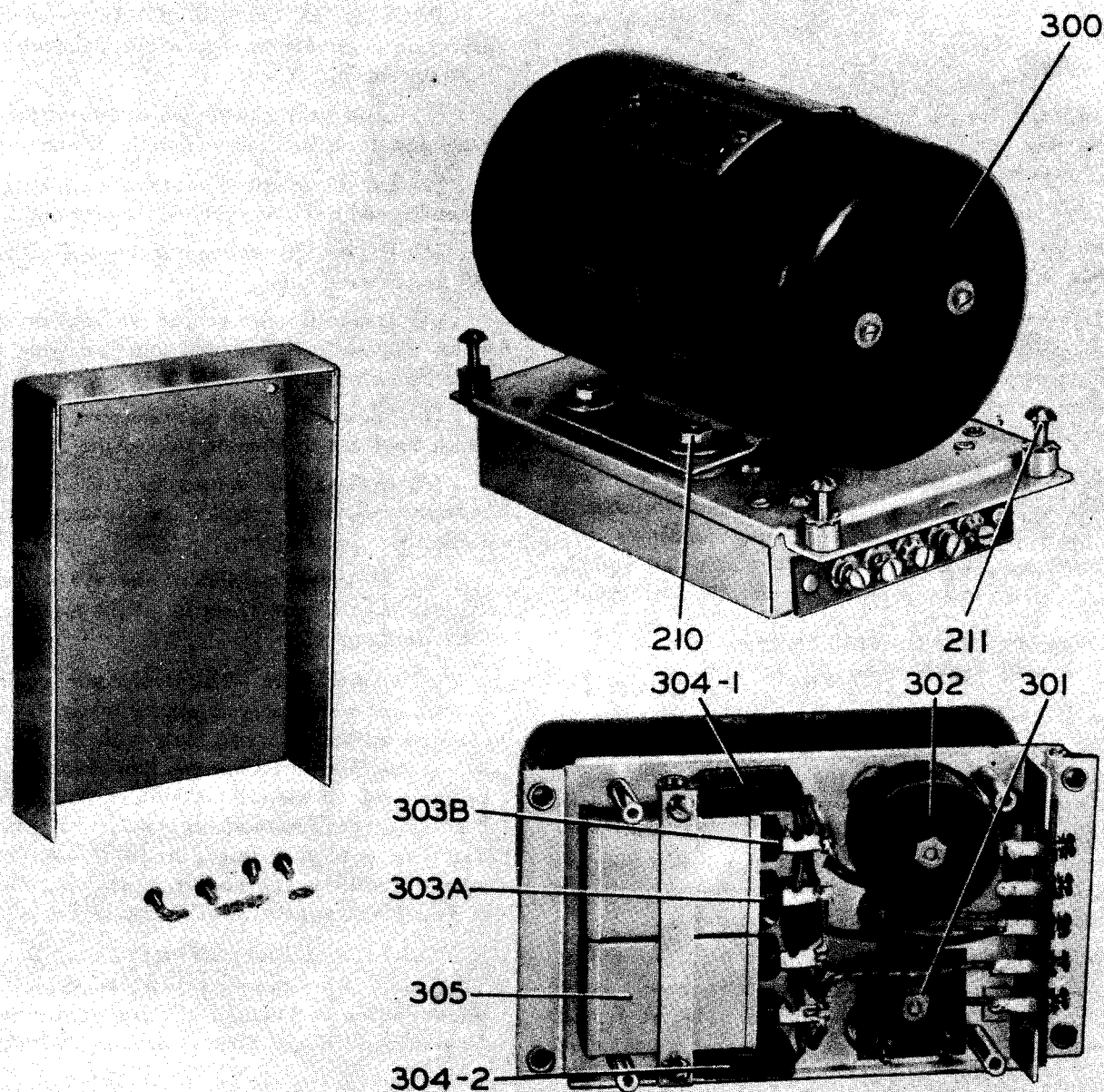


Figure 13 — Dynamotor DM-28(\*) or DM-24(\*), View Showing Filter Open

Wipe away all residue of dust, sand and dirt leaving a clean, smooth, polished commutator surface. Never sand or turn down a commutator having a smooth or polished surface simply because it is discolored. If the commutator is turned down in a lathe, the mica segment separators must be undercut.

*e.* REASSEMBLY OF THE DYNAMOTOR.—This is accomplished in substantially the reverse of the disassembly procedure except that the use of the screwdrivers as wedges is not necessary. In replacing the brushes, check to see that the + and - markings on the brushes correspond with those on the brush holder supports, and that the marked side of the brush is towards the top of the dynamotor. Give the commutator a final inspection for free running, cleanliness and absence

of grease or oil. Wipe the end-bells clean and dry before replacing them on the dynamotor.

*f.* NOMINAL RATINGS.—The nominal ratings of 14-volt dynamotors are input, 2.45 amperes at 13.8 volts; output, 70 milliamperes at 220 volts; regulation 12 per cent. The nominal ratings of 28-volt dynamotors are input, 1.23 amperes at 27.9 volts; output, 70 milliamperes at 220 volts; regulation 12 per cent.

#### 4. REMOVAL OF FRONT PANEL.

*a.* For adjustment of dial or mask, or for servicing of certain parts, it may become necessary to remove the panel. Take the chassis with the panel attached, out of the cabinet and place for inspection with the panel facing upwards. Unsolder the lead to the antenna binding

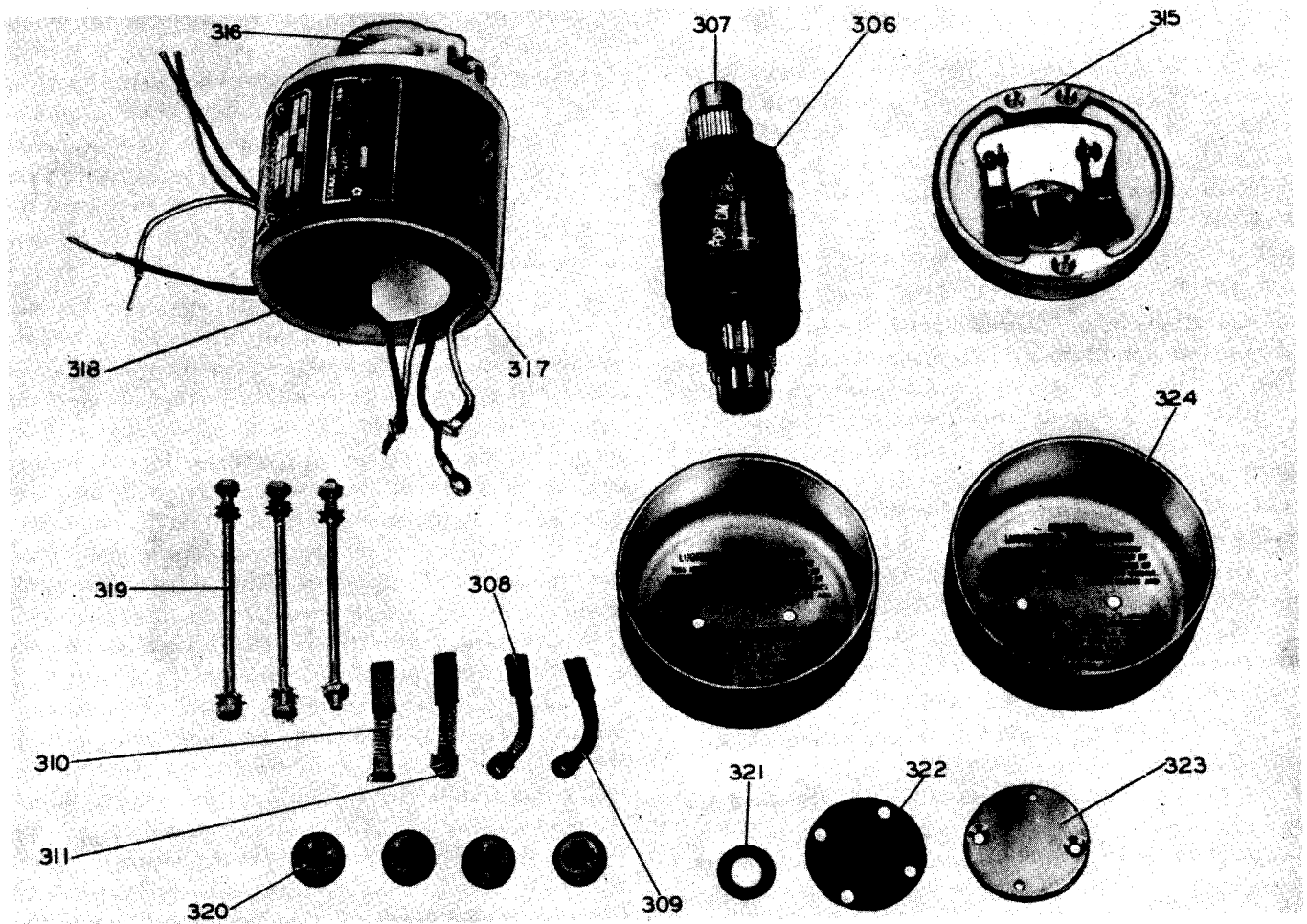


Figure 14 — Dynamotor DM-28-(\*) or DM-24-(\*), Disassembled

post and the lead from the chassis to the dial lights. Remove the dial light housing cover, the two thumb screw rods, the handles, and all knobs and retaining nuts of all controls except the DIAL LIGHTS control. Also, remove the retaining nuts of the TEL jacks. The panel may be lifted off after the removal of the end plate holding screws, the chassis holding screws, the dial casting holding screws and a screw which supports the crystal filter assembly to the panel.

*b.* In replacing the BEAT FREQ control knob turn the flexible shaft until the set screw in the coupling at the internal end points away from the panel. Now mount the knob so that the arrow points vertically towards the top of the receiver. This knob has two set screws. In replacing the other knobs on the shafts, note that flats on the shafts provide for proper location. Securely tighten all set screws and give the set screw on the band switch knob in particular, a second tightening after the shaft has been rotated a few times.

## 5. DIAL AND MASK ASSEMBLY.

*a.* GENERAL.—Attached to the front panel, and to the main frame or chassis casting is an aluminum casting which is the frame for the switch drive shaft, dial mask and detent, and also for the tuning dial, tuning shaft, reduction gears and stop. All of these parts are assembled and can be moved as a unit, thus simplifying any service operations which might be required.

*b.* SWITCH DRIVE SHAFT. — This shaft passes through a hole in an adjustable plate located in the dial lamp housing and through a clearance hole in the panel. The hole in the adjustable plate is purposely given a larger clearance than bearing requirements would dictate since its use is to support the shaft against forces which might spring it or damage the internal bearing. At the inside end of the shaft, the detent (star wheel) and the driving portion of the coupling member are pinned in place by means of taper pins. The shaft extends through a long bushing pressed in the dial housing. The dial assembly runs on the outside surface of the long bushing referred to above. The hub of the mask is attached to the shaft by a taper pin just inside the panel.

*c.* STOP-ARM ASSEMBLY.—On the back of the dial frame casting is a stop-arm which engages a pin in the detent so as to limit its rotation to 6 positions which are spaced 60 degrees apart. There is attached to the assembly of pivot pins, arms with rollers, and a spring which positions the detent. This assembly is locked with two dowel pins after the correct location is made.

*d.* INDEX PLATE.—On the front (panel) end of the bushing through which the switch shaft passes there is a

narrow groove which positions the lower end of the index plate. This plate is attached to the casting at its upper end with means for removing any slack and keeping it straight. The index plate has a keyhole-shaped opening to permit it to be placed in the groove. The outer end of the dial hub turns and is held against the rear surface of the index plate.

*e.* DIAL HUB.—The dial is attached to a flange on a hub which runs on the outside surface of the bushing through which the switch drive shaft passes. This hub also carries a large gear which is driven by a pinion combined with a split-idler gear. This split-idler gear and pinion has an adjustment in the clearance holes for the mounting screws to enable the backlash in the mesh of the pinion with the large dial gear to be reduced to a minimum.

*f.* SHAFTS.—The tuning shaft has, in addition to the pinion referred to above, a stop, and a worm which meshes with a split worm gear on a cross shaft at the back of the frame. Both this cross shaft and the tuning shaft run in bearings which are integral in the casting. Both shafts have spring thrust washers to remove end play. The cross shaft carries a pinion which is meshed with a split gear on the tuning capacitor shaft assembly. The degree of mesh of this pinion and gear is adjustable by moving the tuning capacitor toward or away from the panel after it is placed in position and before the holding screws are finally tightened.

*g.* GEAR RATIO.—The overall gear ratio between the tuning shaft and the capacitor shaft is 200 to 1. Since the design of the tuning capacitor permits but a small amount of rotation at either end of its travel beyond the 180 degrees required to give its complete range in electrical capacity, means are provided to stop the tuning shaft at either end of a total of approximately 100 revolutions. This is accomplished by a cam on the outer edge of the tuning dial which operates an arm pivoted on a pin on the frame casting. One end of this arm has a roller which runs on the outer edge of the dial. The roller is held in contact with the dial by a spring. A cutout is positioned in the edge of the dial in such a manner that, when the point corresponding to either end of the tuning capacitor travel is reached, the roller, and therefore the end of the arm, can move toward the center of the dial, being forced in that direction by the spring. Thus, the opposite end of the stop arm is moved so that the hook at the end of the arm engages the rotating stop on the tuning shaft and the shaft is thereby prevented from further turning. When the direction of rotation of the tuning shaft is reversed, the roller and arm are pushed outward against the spring by the cam edge of the dial and the stop disengages.

b. **DIAL CALIBRATION.**—Since a definite relation must be set and maintained between the dial position and the angular position of the rotor of the tuning capacitor, adjustment is provided at the pinion on the cross shaft at the rear of the frame. (This is the shaft which also carries the worm gear.) This pinion is held in place by two set screws which bear in a groove on the shaft. By loosening these two set screws, either the dial or the tuning capacitor can be rotated while the other part remains fixed. The correct relation between these is that the tuning capacitor rotor plates are fully meshed with the stator plates (maximum capacity) when the dial is set against the stop at the extreme low frequency end of the tuning range.

## 6. REMOVAL AND REPLACEMENT OF DIAL MECHANISM.

a. **GENERAL.**—To remove the dial mechanism from the chassis for any servicing operations, first remove the front panel in accordance with instructions given in paragraph 4 of this section. The frame of the mechanism is attached to the chassis by the bracket holding the fuse, and by two slotted hexagon head screws through the flange on the under side of the chassis. Note that one of these screws is beneath the removable shield which covers the terminal of the first i-f transformer. When these screws are removed, the complete unit can be removed. The center disc of the flexible coupling is loose and will drop out of engagement.

b. **PROCEDURE.**—To remove the index and dial, remove the taper pin holding the mask hub to the switch drive shaft. It is necessary to support the shaft when driving out this pin so that excess stress will not be placed on the center bushing. After the removal of the mask and the index, the dial and its gear are free to slide off the bushing. In replacing these parts, the thrust washer behind the dial hub must be turned in the position to give maximum thrust (convex side outward).

c. **READJUSTMENT.**—If the dial is removed and replaced, it is possible that, in meshing the dial gear with the idler gear, the stop relationship may not be correct, in which case it may be necessary to change the engagement of the gears a tooth at a time. The stop relationship must be such that the roller arm hook and the tuning shaft stop arm engage fully at the end of the last revolution, but on the previous revolution the arm must not start to move until after the rotating arm has passed under the roller arm hook. This adjustment can only be made by trial and inspection, but it can be secured in one or two trials. Substitution of a different stop arm may also require readjustment, but in this case make the adjustment by lengthening or shortening the

roller end of the arm. This is done by loosening the two nuts on the arm, after which the arm can be adjusted by the slotted holes provided.

d. **MASK SETTING.**—When the dial mechanism is replaced, properly position the flexible coupling so that the position of the mask corresponds to the switch position, since it is impossible otherwise to get the band switches to an inoperative position. The correct relative positions are obtained when the mask is set to band 200-500 kc and the set screw locking the flat switch shaft to the large bevel gear hub is 15 degrees back (away from panel) from vertical.

e. **REMOVAL OF BACKLASH.**—If any of the gear trains including split gears have been unmeshed in disassembly, reset the split gears to put tension on the loose section when they are again meshed. Normally, a displacement of one tooth between the two sections is sufficient. Trial will show whether this will remove the backlash.

f. **FINAL ADJUSTMENT.**—When the dial mechanism is reassembled to the chassis, carefully adjust the relationship between the dial and the tuning capacitor in order to maintain the calibration and prevent over-running the capacitor (refer to par. 5b of this section.) This is done by loosening the two set screws in the pinion on the cross shaft on the back of the dial assembly. Before putting the mechanism in place, this pinion can be moved along the shaft toward the worm gear so as to clear the capacitor split gear. This facilitates assembly since the gears can be meshed after the dial mechanism is bolted in place, making it easier to get the tension on the split gear in the capacitor assembly.

## 7. REMOVAL OF ANTENNA, R-F, DETECTOR AND OSCILLATOR UNITS.

(See figs. 19, 20, 21, and 22)

In many cases servicing of these units will require only the removal of the top or bottom cover of a particular unit. However, any unit may be removed and replaced independently as follows:

a. Unsolder the lead to the main tuning capacitor at the capacitor by first removing the capacitor shield. Unsolder all other leads at the unit.

b. Disconnect the band switch drive shaft and withdraw from the antenna unit end.

c. In the case of the antenna unit, disconnect the antenna alignment control shaft.

d. Remove screws holding the unit to the tie strips at the bottom.

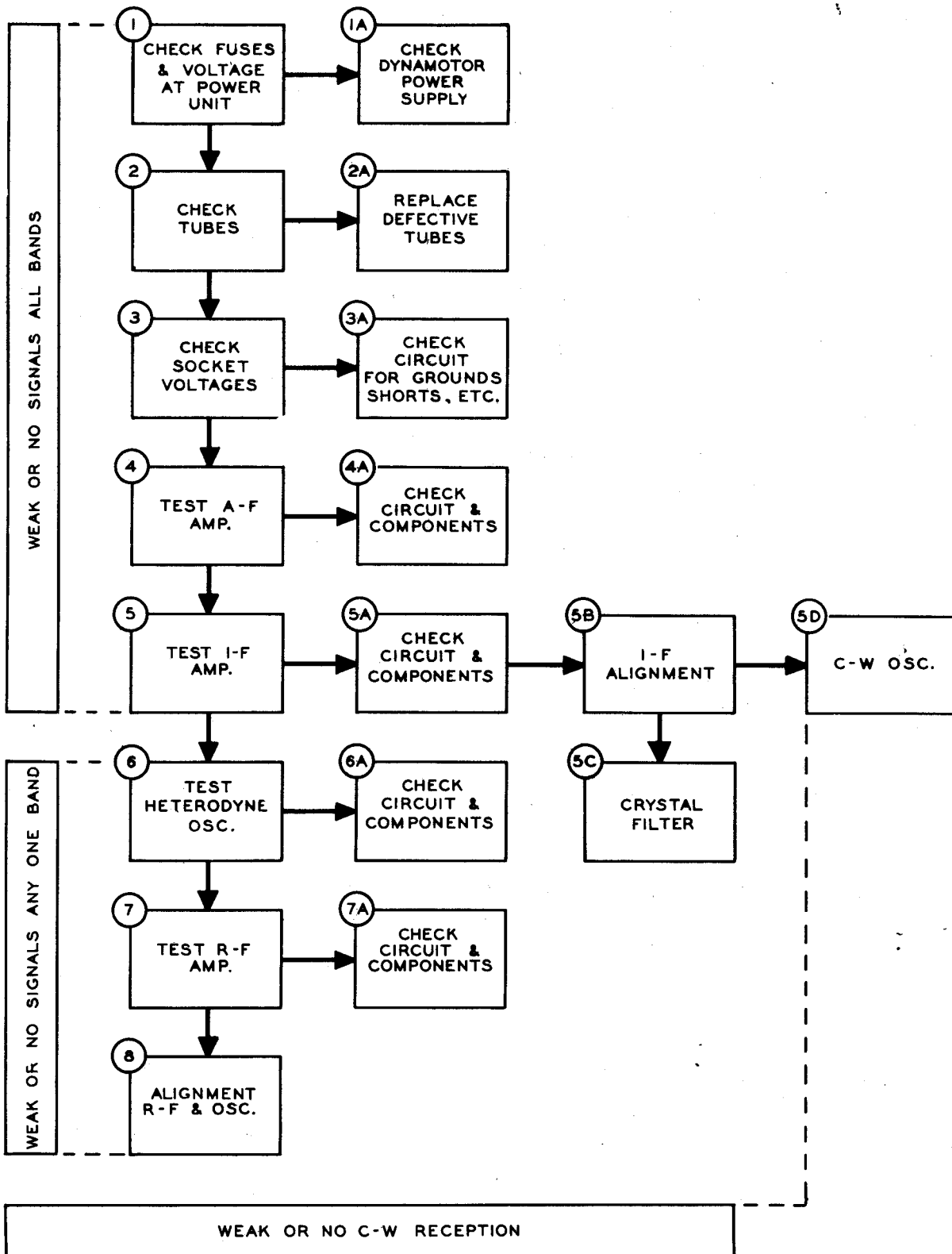


Figure 15 — Trouble Location and Correction Chart

- e. Remove screws holding the unit to the chassis.
- f. Lift the unit from the receiver, taking care that it comes out freely.

When replacing a unit, reverse the procedure above. However, do not completely tighten the screws holding the chassis until the drive shaft has been replaced and the band change switch knob has been rotated a number of times. This will insure the self-alignment of the unit and the proper action of the detent.

## 8. TROUBLE LOCATION AND REMEDY.

a. GENERAL.—The sensitivity (number of microvolts input to produce 10 milliwatts output into the normal resistance load) of the receiver should not be more than 9 microvolts when measured under the following conditions:

- (1) AVC-OFF-MVC switch at MVC.
- (2) 28 volts input or 14 volts depending upon the power supply and set used.
- (3) CRYSTAL filter OUT.
- (4) Output load, non-inductive resistance of 4000 ohms.
- (5) Pure c-w input from signal generator applied between antenna-ground terminals through a 100-mmf dummy antenna.
- (6) Volume control set to produce a 0.3 milliwatt noise output.

This sensitivity will, of course, be subject to variation with time due to tube aging, etc. Make major adjustments and repairs only in an authorized repair shop equipped with the necessary servicing tools and equipment.

### NOTE

Unauthorized personnel must refrain from changing any of the adjustments of the radio-frequency circuits.

The difficulties usually experienced are the result of external deteriorating influences, such as worn-out vacuum tubes, improper operating voltage, blown fuse, external noises, etc. However, in order to permit the servicing of this equipment, follow the testing procedure shown in determining the sources of trouble.

b. EQUIPMENT REQUIRED. — Few instruments other than those found in a standard set analyzer (Test Set I-56-A) are required in locating the most probable troubles in this receiver. The individual instruments required are as follows:

- (1) A modulated test oscillator (standard signal generator) with a frequency range from 200 to 18,000 kc with provisions for calibration accuracy better than 0.1 per cent at aligning frequencies.
- (2) Voltmeter\*—1000 ohms per volt, ranges 0-10, 1-100, 0-250 volts.
- (3) Continuity tester\*.
- (4) Output meter rectifier type\*—0-15 volts, 4000 ohms.
- (5) Microammeter—0-200 microamperes.
- (6) Audio frequency oscillator.
- (7) Pair of telephone receivers.
- (8) Adaptor FT-211 consisting of an eight-prong octal plug and an eight-prong octal socket connected together by a short length of eight-conductor cable to permit use of Test Set I-56-A analyzer on the r-f tubes on the tube shelf.

### c. WEAK OR NO SIGNALS ON ALL BANDS, MODULATED RECEPTION.

(1) CHECK OF DYNAMOTOR VOLTAGES.—When all signals on all bands are weak or no signals are heard when known to be present, follow the procedure shown in the chart. The voltages checked at the dynamotor terminal board should closely approximate the values shown in figure 16. Conditions of measurement are as follows:

- (a) Input voltage 28 volts for BC-348-(★) or 14 volts for BC-224-(★).
- (b) CRYSTAL OUT.
- (c) MVC.
- (d) Volume max.
- (e) C.W. OSC. OFF.
- (f) Load resistance (see par. 12c of section IV.)

If these voltage readings do not approximate the values shown, check the fuse as well as the dynamotor and filter circuits, wiring and components.

(2) TUBE CHECK.—If the voltages at the dynamotor terminal board approximate the values given, proceed to check all tubes for emission and characteristics or replace all tubes with those of known average characteristics.

\* Part of Test Set I-56-A.

(3) CHECK OF SOCKET VOLTAGES.—If tubes check satisfactorily, or if, after replacing with tubes known to be good, the sensitivity is still low, proceed to check all tube socket voltages with Test Set I-56-A as outlined in paragraph 14f. The average socket voltages are given in figure 16.

(4) CHECK CIRCUIT WIRING AND COMPONENTS.—If the tube socket voltages do not approximate the values shown in figure 16, check the associated circuits and components for grounds, shorts and similar defects.

(5) TEST OF AUDIO-FREQUENCY AMPLIFIER.—Having checked all socket voltages and found the values to be correct, proceed to the test of the audio frequency amplifier. This can be checked by capacitively coupling a 400-cycle voltage of approximately 2 volts rms between ground and the detector diode socket prong using a capacitor of 0.5 mfd. As an alternative, a modulated 915-kc signal of 2 volts may be coupled to this point and ground. Proper functioning of the audio amplifier will be indicated by an output well over 10 milliwatts for the 2-volt audio input or approximately 1 milliwatt output for 915-kc input. Check circuits, wiring and components if this order of response is not obtained.

(6) TEST OF I-F AMPLIFIER.—Following a satisfactory test of the audio amplifier, check the inter-

mediate frequency amplifier by capacitively coupling the modulated test oscillator to the grid cap of the first detector tube and ground through a 0.1-mfd capacitor, the frequency being adjusted to 915 kc. A rough check of the proper functioning of the i-f amplifier indicates a comfortable headphone output level with low input from the test oscillator. (Approximately 25 microvolts input for 10 milliwatts output.)

(7) I-F AMPLIFIER CIRCUIT CHECK.—If the i-f amplifier does not respond as above or lacks sensitivity, make a progressive check, stage by stage. The test oscillator, 915-kc modulated input, is connected through a 0.1-mfd capacitor to the second detector diode socket prong and to ground. A signal response indicates proper functioning. Coupling the test oscillator to the grid of the third i-f should indicate a decided gain in sensitivity. Proceeding similarly towards the first detector, each stage should show a decided gain, and a faulty stage can be circuit-checked for grounds, short, or defective components.

(8) I-F AMPLIFIER ALIGNMENT CHECK. — When all stages have been tested, check the i-f amplifier alignment by capacitively coupling a low level input signal of 915 kc  $\pm 0.1\%$  to the first detector grid. Adjust the frequency of this alignment signal to that of the crystal filter of the receiver under test by switching

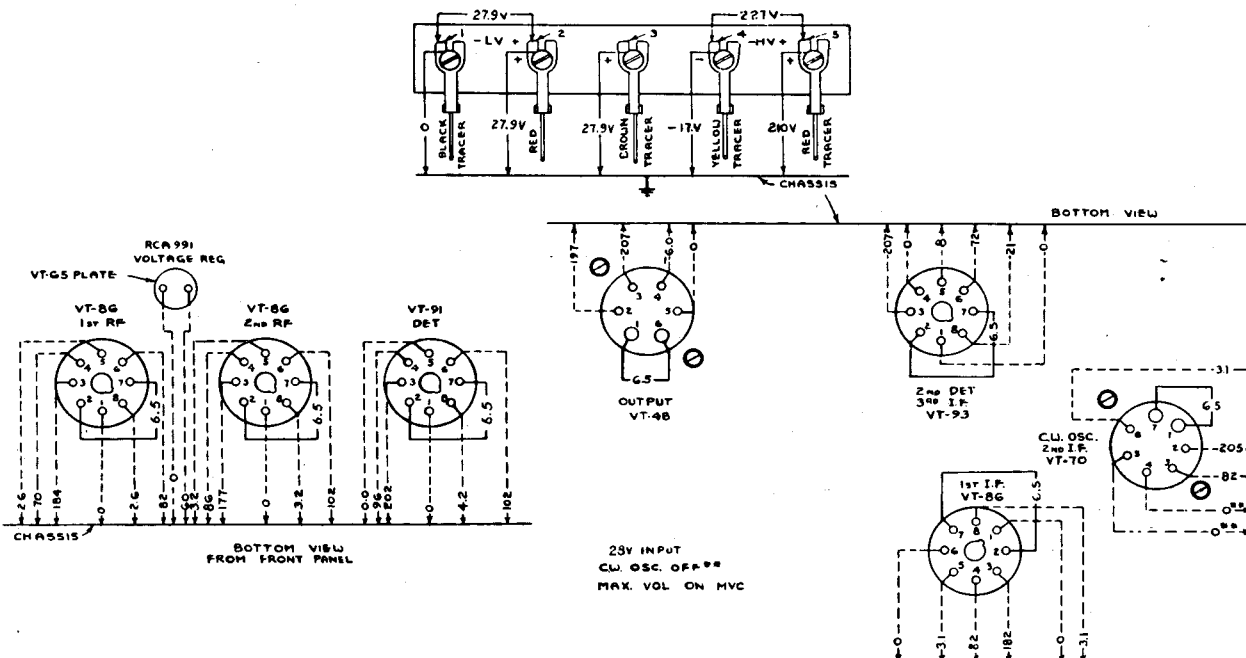


Figure 16 — Radio Receiver BC-348-(\*)  
Dynamotor and Tube Socket Voltages

the crystal filter switch IN and adjusting the test signal frequency for maximum response. The crystal filter is then switched OUT. For normal alignment procedure, the i-f tuning cores of both primary and secondary windings of the first, second, and third i-f transformers and the tuned circuit of the crystal filter assembly are adjusted for maximum output. Slight variations of the tuning of the secondary of the first i-f transformer and the tuned circuit of the crystal filter may be required to obtain the desired crystal band width. This procedure is described in detail in sub-paragraph (10). The tuning adjustments of the second i-f transformer may also serve as a control of the overall gain of the i-f amplifier and the maximum overall noise output level of the receiver reduced to 15 milliwatts or less by slightly detuning one or both of the second i-f transformer tuned circuits. The fourth i-f transformer is slightly over-coupled with the resultant double response peaks symmetrically located approximately 5 kilocycles each side of the 915-kc, i-f alignment frequency. In general, it will not be necessary

to realign this transformer because of its broad characteristic. However, if realignment becomes necessary, follow this procedure:

Connect the modulated test oscillator through a 0.1-mfd capacitor to the grid of Tube VT-93 (JAN-6B8, third i-f amplifier tube) and to ground. Set the input frequency at 910 kc and alternately adjust first the primary tuning core, then the secondary tuning core of the fourth i-f transformer until maximum output is obtained (both cores turned in a right-hand screw direction). Then turn the modulated test oscillator slowly through the 915-kc setting to approximately 920 kc where a second response peak approximately equal in amplitude to that at 910 kc should be obtained. This indicates correct alignment. Slight supplementary adjustments of the primary and secondary tuning cores may be necessary to secure a symmetrical double peak response with the slight hollow between response peaks located at the 915-kc alignment frequency. If a sweep frequency modulated test oscillator is available, this fourth i-f transformer can

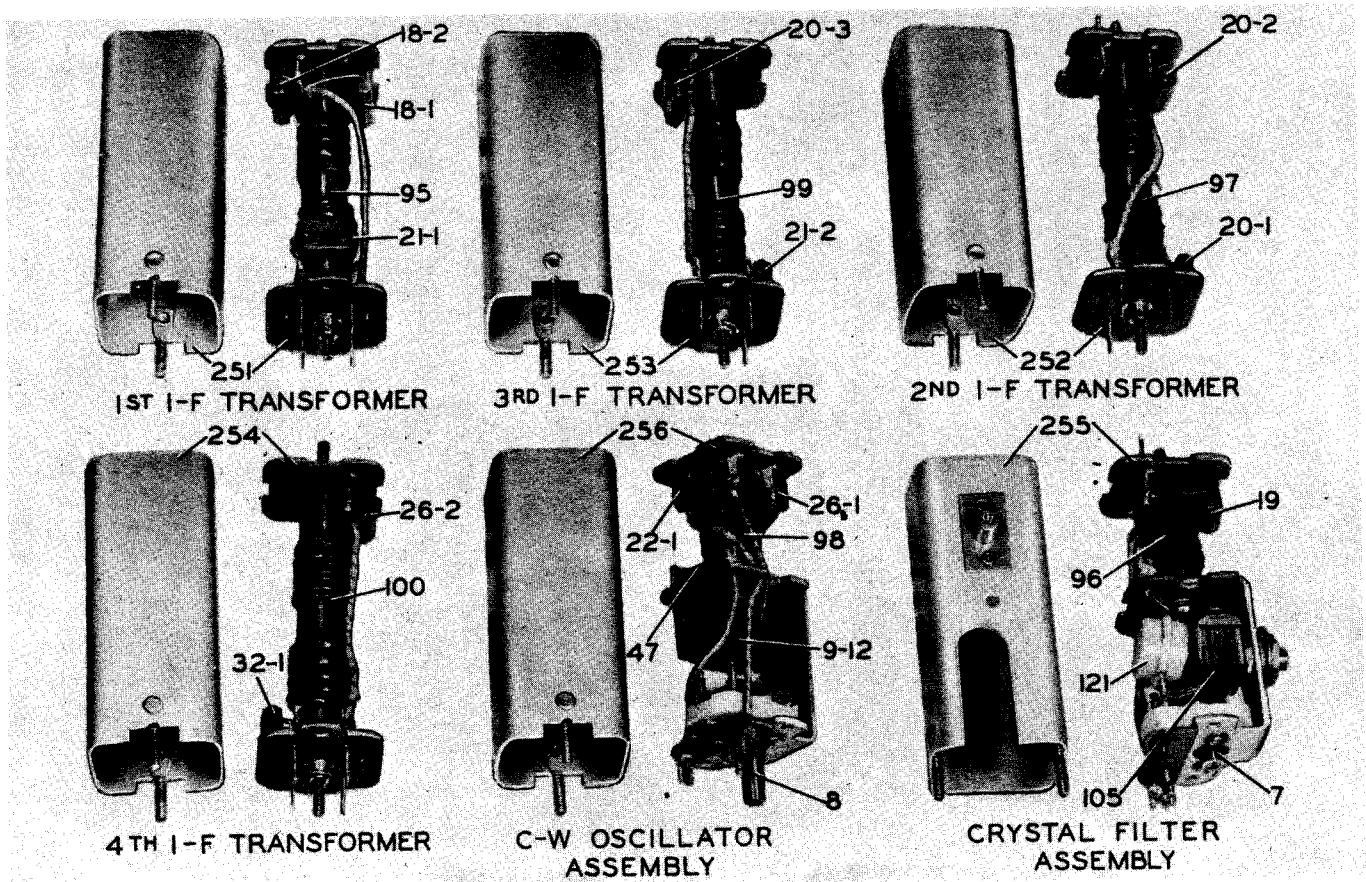


Figure 17 — I-F Transformers, C-W Oscillator and Crystal Filter Assemblies



be conveniently aligned by visual observation on a cathode ray oscilloscope. In this case, the tuning core adjustments are made to obtain a double peak response pattern centered at 915 kc.

(9) CHECK AND ALIGNMENT OF C-W OSCILLATOR.—Check the c-w oscillator and adjust by coupling the 915-kc input (modulation off) to the grid of the first detector tube and then switching the c-w oscillator ON. With the beat frequency control set at mid-position, the oscillator inductance tuning core 98 is adjusted for zero beat. If no c-w beat can be heard, check the c-w oscillator circuit for grounds, shorts, or defective components. With the c-w oscillator ON, the screen voltage at the first and second i-f sockets drops to approximately .45 volts (measured to ground).

(10) TEST AND ADJUSTMENT OF CRYSTAL BAND PASS FILTER.—Normally, the crystal band pass filter is adjusted at the factory for a band width of 1500 to 2000 cycles at 20 db down from resonance. This filter can be tested by applying an unmodulated signal of approximately 915 kc, connected through a 0.1-mfd capacitor to the grid of the first detector tube and ground. With crystal filter switch IN and a 200-microampere meter connected in the lead from volume control 59-B

to the cathode of the third i-f amplifier Tube VT-93 (JAN-6B8, available at the bottom terminal of the rear volume control) vary the frequency of the test oscillator until the response peak of the crystal filter is located. Then adjust the signal input voltage or the volume control (MVC) to give a reading of approximately 70 microamperes on the response peak. Switching the crystal filter OUT should not produce a reading of more than 110 microamperes. This test indicates the correct functioning of this filter. The c-w oscillator should be off during this test. To adjust the band width of the crystal filter, a signal generator or microvolter having an expanded tuning scale in the vicinity of 915 kc and having also an attenuator with a multiplier of 10 times (20db) is required. The following procedure is recommended: Tune the signal input to the crystal filter response peak (crystal IN) and an output reading of 100 microamperes, set the attenuator to multiply the input voltage by 10 times and detune the signal generator on each side of resonance, noting the frequencies of the points where a reading of 100 microamperes is again obtained. From the difference of these frequency readings, the crystal filter band width can be determined. Adjust the band width by changing the capacity setting of balancing ca-

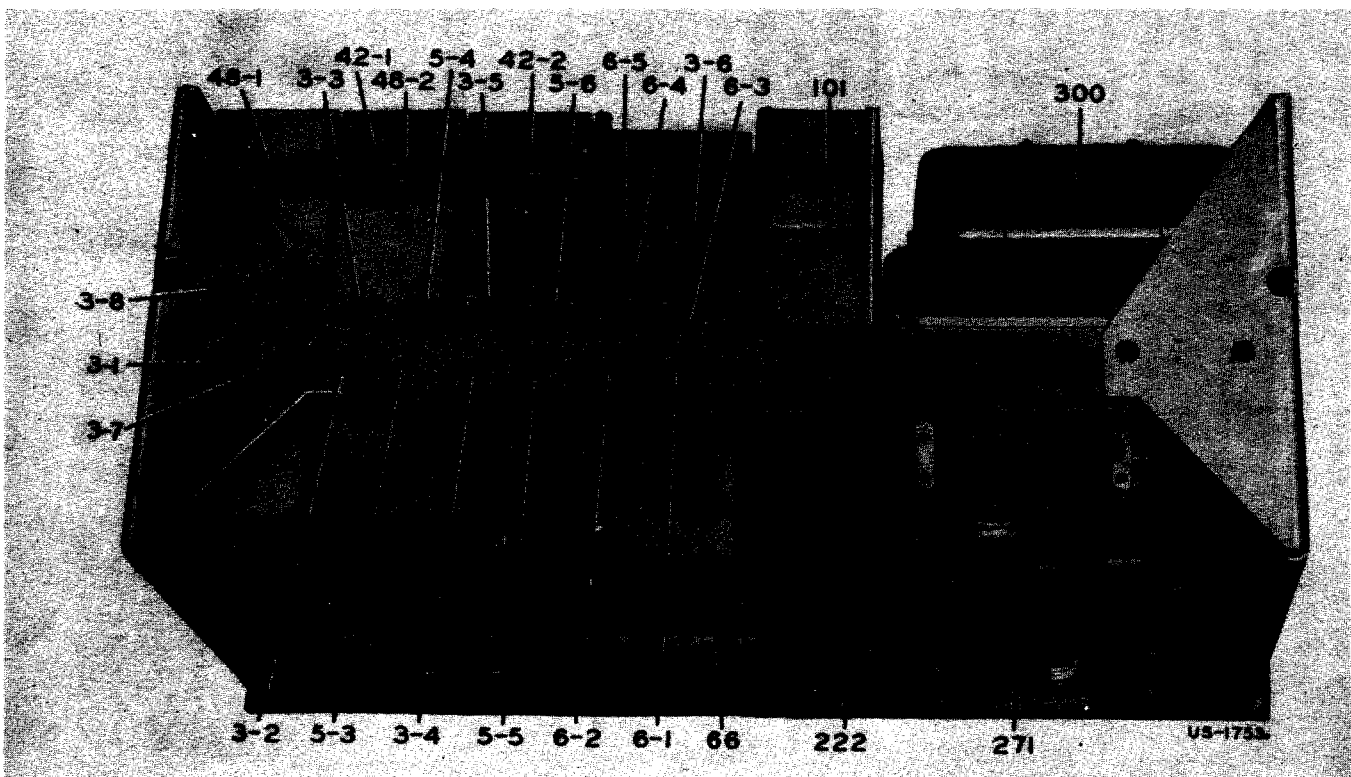


Figure 18 — Radio Receiver BC-348-(\*) or BC-224-(\*), Rear View of Chassis

capacitor 7. For each setting of this capacitor check the band width at 10 times input as described above. In general the minimum band width is obtained with the balancing capacitor at approximately midcapacity (adjustment slot perpendicular to front panel). The tuning of the secondary of the first i-f transformer and the tuned circuit of the crystal filter influence the band width obtainable with the crystal filter. Slight readjustment of these tuning cores may be necessary to obtain the desired band width. After concluding the above tests, remove the microammeter and restore the circuit to normal.

(11) CHECK OF HETERODYNE OSCILLATOR. Having checked the functioning of the i-f and audio amplifiers, if signals are not heard on any band, check the heterodyne oscillator for oscillation. This can be done by observing the cathode voltages at the socket of the first detector Tube VT-91 (JAN-6J7) when grounding the stator of the oscillator section (1-D) of the tuning capacitor. If no change in voltage is noted with this test, check the oscillator circuit for grounds, short or defective components.

(12) TEST OF THE R-F AMPLIFIER.—Having completed the test and alignment of the audio amplifier, i-f amplifier and heterodyne oscillator, test the r-f amplifier as follows: with the band switch set on the band lacking sensitivity, a modulated signal from the test oscillator is capacitively coupled through a 100-mmf dummy antenna to the antenna post and to ground. Set

this input signal frequency quite accurately to the alignment frequency shown in table II for the band under test. With the tuning control set for the approximate alignment frequency, tune slowly around this point until the maximum response with the least signal input is obtained. Capacitively coupling the test oscillator to the grid of the first r-f and second r-f tubes should show a progressive decrease in output indicating the proper functioning of the particular r-f stage or circuits preceding. If a decrease in response is noted when the signal input is capacitively coupled progressively from the grid of the first detector to the second and first r-f grid caps and finally to the antenna post (with the 100-mmf dummy antenna capacitor) check the stage which indicates a decrease in response for circuit, ground, shorts or defective components.

(13) ALIGNMENT OF R-F AMPLIFIER.

**NOTE**

For a general alignment start with the 0.2-0.5 MC band No. 1.

In the r-f alignment for any particular band, adjust the tuning control for the alignment frequency (table II) and couple the modulated test signal at this alignment frequency from the test oscillator to the antenna post through the 100-mmf dummy antenna. The three r-f trimmers (ANT., R.F., and DET.) for this band are then adjusted for maximum output. A similar procedure is followed in the alignment of each band.

TABLE II — ALIGNMENT DATA

| Band No. | Freq. Range MC | Alignment Frequency MC | Trimmers* |      |        |            |
|----------|----------------|------------------------|-----------|------|--------|------------|
|          |                |                        | Ant.      | RF   | 1 Det. | Osc.       |
| 1        | 0.2- 0.5       | 0.5                    | 65        | 37-1 | 37-2   | 6-1, 66*** |
| 2        | 1.5- 3.5       | 3.5                    | 2**       | 5-3  | 5-5    | 6-2        |
| 3        | 3.5- 6.0       | 6.0                    | 3-1       | 3-2  | 3-4    | 6-3        |
| 4        | 6.0- 9.5       | 9.5                    | 3-7       | 5-4  | 5-6    | 6-4        |
| 5        | 9.5-13.5       | 13.5                   | 3-8       | 3-3  | 3-5    | 6-5        |
| 6        | 13.5-18.0      | 18.0                   | 4-1       | 4-2  | 4-3    | 3-6        |

\* Refer to schematic diagram and marked photographs for location. The alignment controls for the various bands are numbered on the chassis adjacent to the control. Controls for band 1 are marked 1, those for 2 are marked 2, etc.

\*\* Antenna alignment control.

\*\*\* Adjust series paddler with receiver set at 200 kc. (Use c-w signal.)

(14) ALIGNMENT OF HETERODYNE OSCILLATOR.

**NOTE**

For a general alignment start with the 0.2-0.5 MC band No. 1.

The alignment of the heterodyne oscillator is necessary only when the tuning dial frequency calibration is in error by more than 0.75 per cent. To align the oscillator follow the same general procedure as was followed for the alignment of the r-f amplifier. With BAND SWITCH on band No. 1 (0.2-0.5 mc) and TUNING CONTROL set to the alignment frequency, couple the output of the modulated test oscillator (set at the alignment frequency) to the antenna post through the 100-mmf dummy antenna. The oscillator trimmer for this

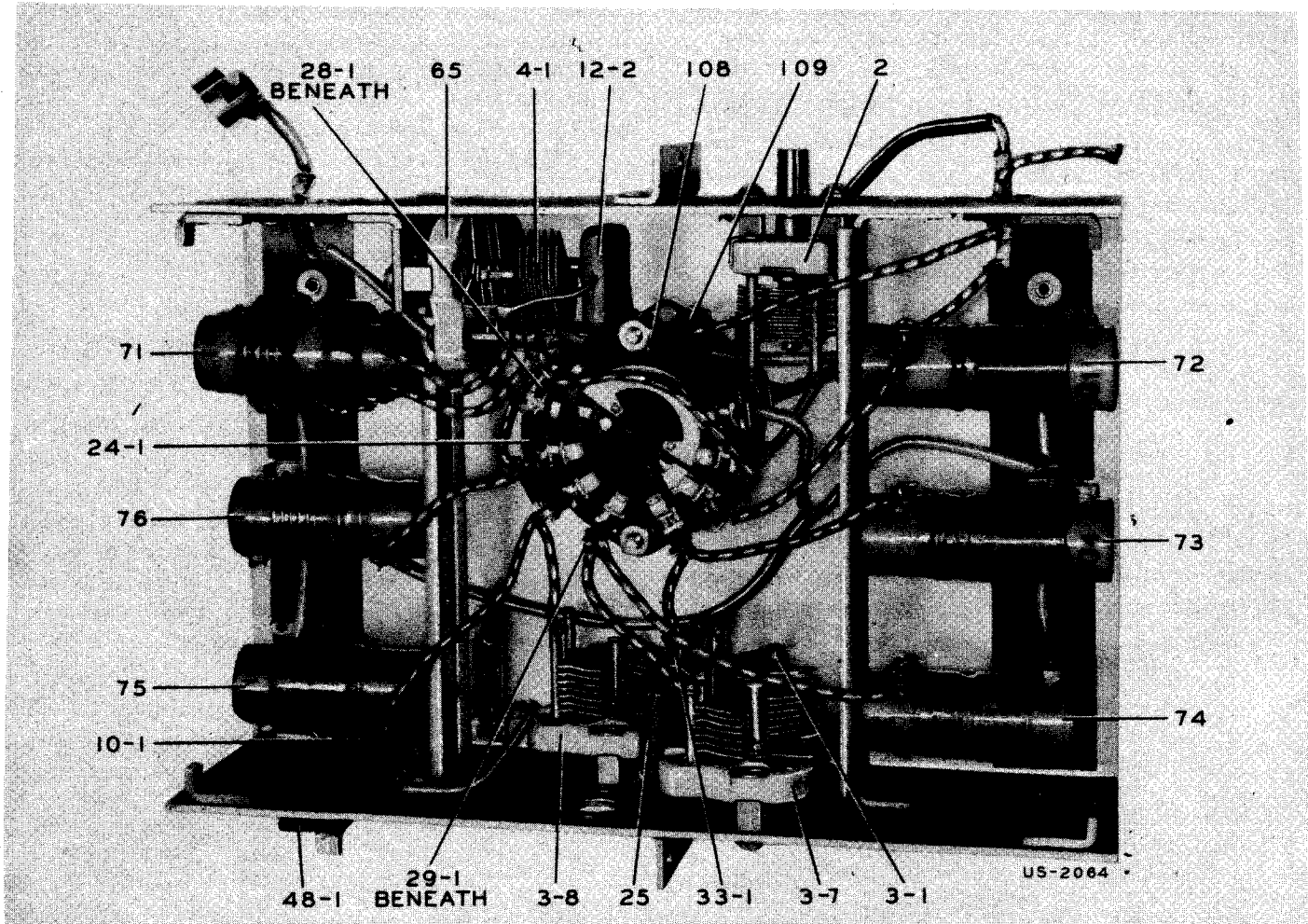


Figure 19 — Antenna Unit

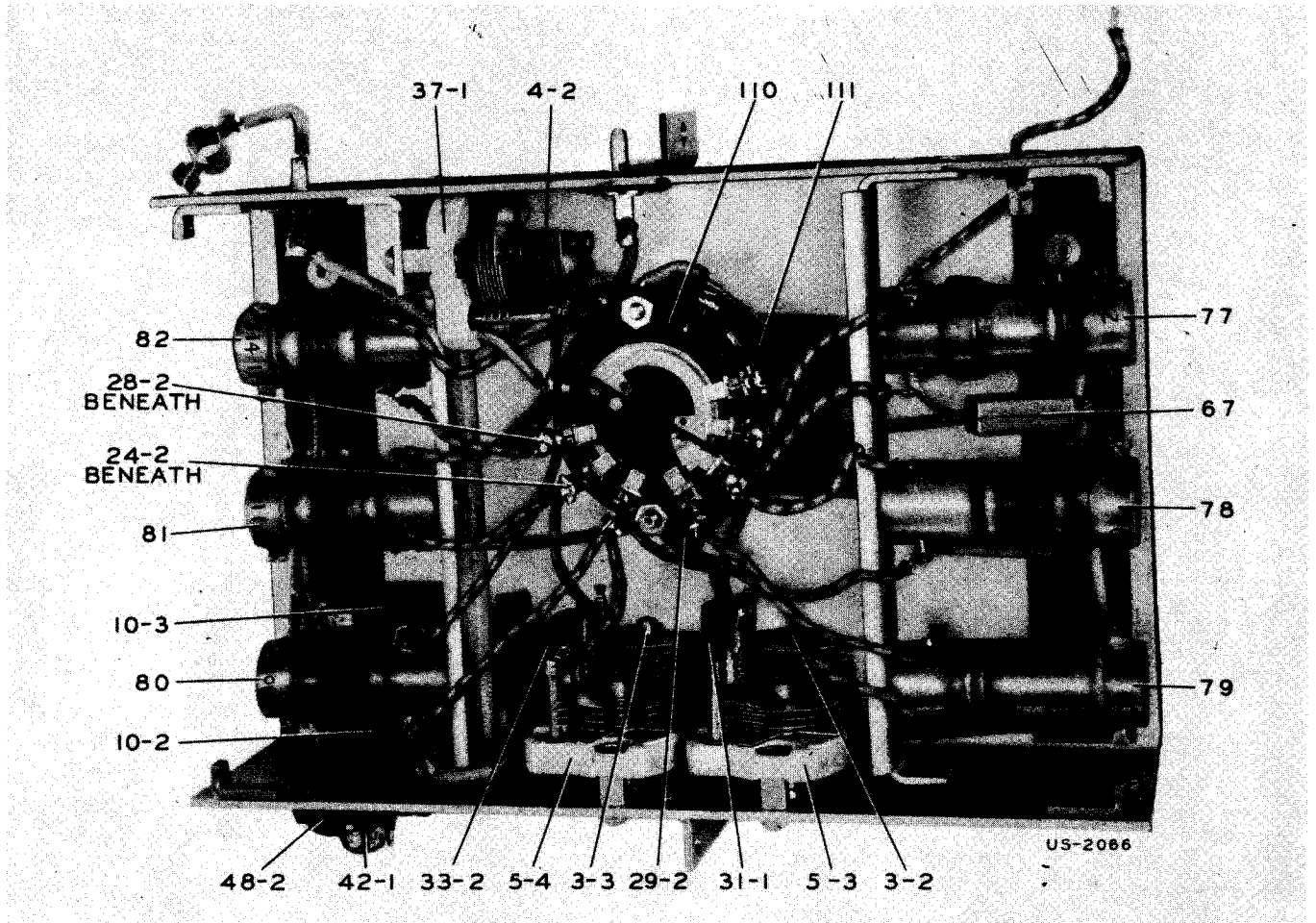


Figure 20 — R-F Unit

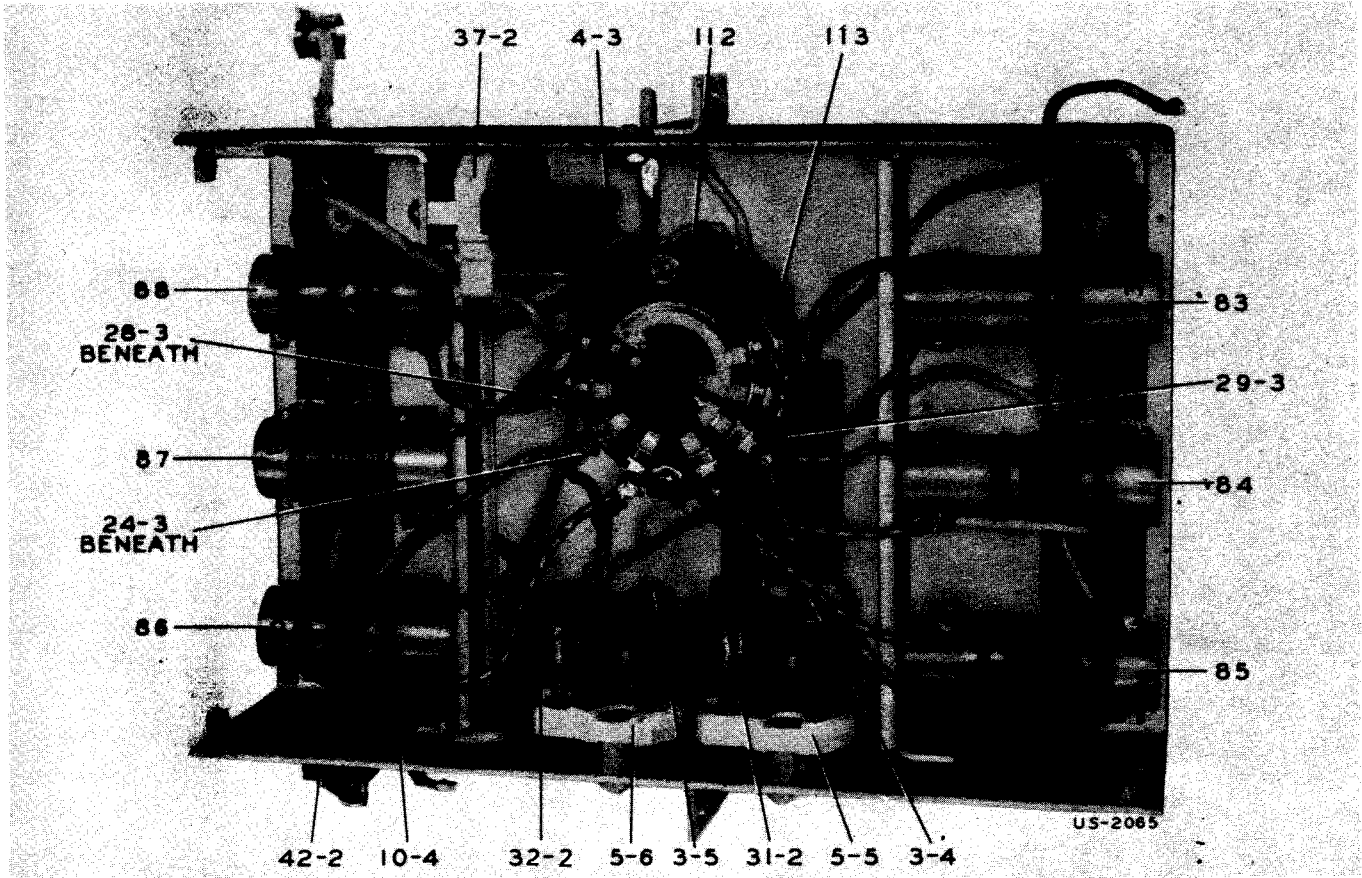


Figure 21 — Detector Unit

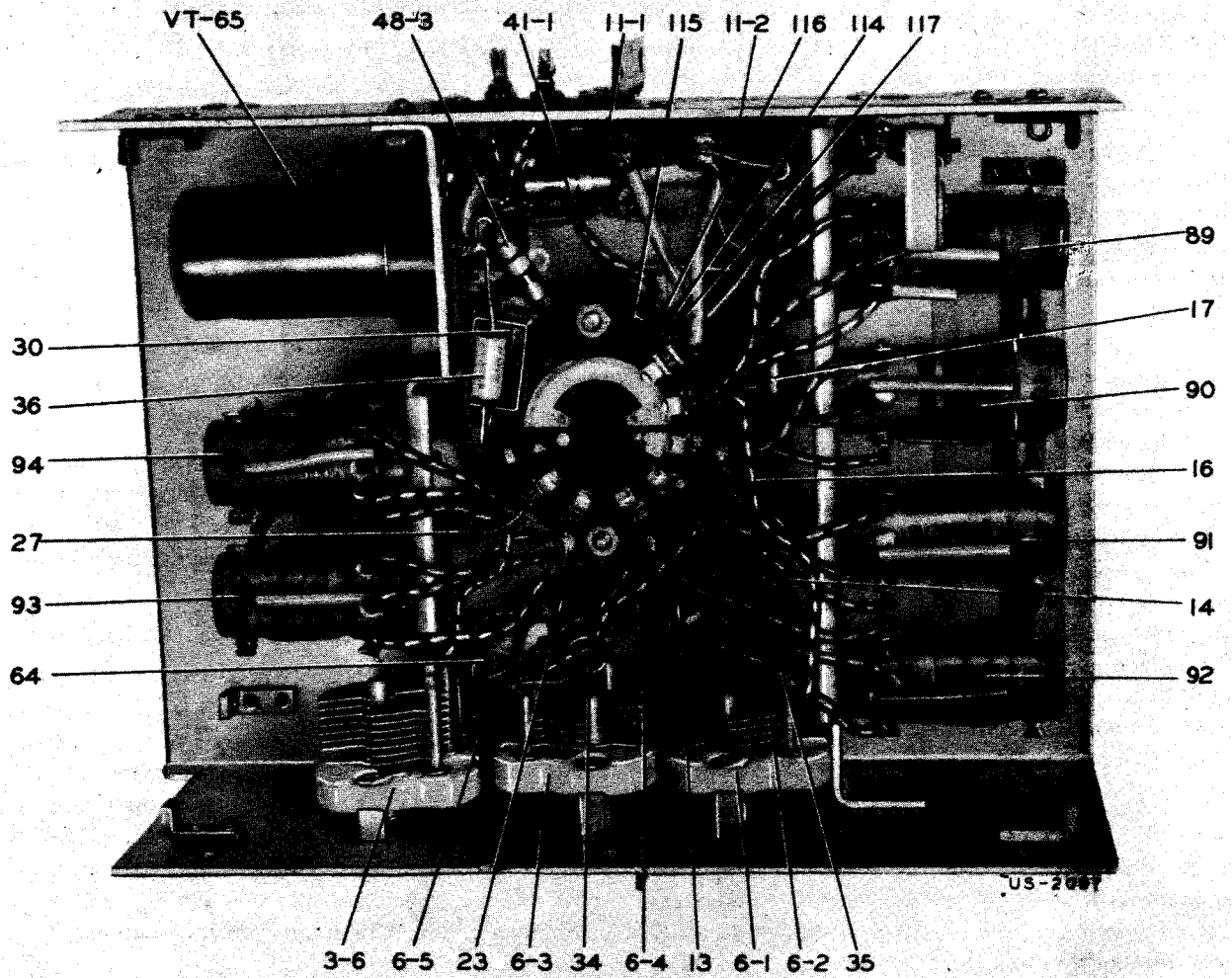


Figure 22 — Oscillator Unit

**Section V**  
**Paragraph 8**

**RESTRICTED**  
**AN 08-10-209**

band is adjusted for maximum audio output. A similar procedure is followed in the alignment of each band.

**d. WEAK OR NO SIGNALS ON ANY ONE BAND, MODULATED RECEPTION.**—The condition of satisfactory reception on several bands and weak or no signals on one or more bands indicates the correct functioning of the i-f and a-f amplifiers and requires checking only the r-f amplifier and heterodyne oscillator for the defective band or bands. Follow the procedure outlined in sub-paragraphs (11) to (14) for the defective band or bands.

**e. WEAK OR NO SIGNALS ON ALL BANDS, C-W RECEPTION (MODULATED RECEPTION NORMAL).**—Weak or no signals on all bands for c-w reception with satisfactory modulated signal reception requires testing and alignment of the c-w oscillator. Proceed as outlined in sub-paragraphs (8) and (9) above.

**f. MEASUREMENTS WITH TEST SET I-56-A.**—The following readings are typical values obtained on the Weston model 665-2 selective analyzer (Test Set I-56-A). If all plugs seem to be securely in position with the dynamotor running, and faulty or poor operation is obtained from the receiver, make a careful check first of the cables and plugs using the model 564 volt ohmmeter as outlined under "Detailed Tests on Radio Sets," page 11 of the instruction book for Test Set I-56-A. If all plug-in cable connections seem to be functioning properly, make a test of the tubes in the receiver using the model 685 tube tester as outlined in the same paragraphs as mentioned above. Should neither of these tests locate the difficulty, perform the following voltage and current or resistance measurements.

**(1) VOLTAGE AND CURRENT MEASUREMENTS.**—Set up the receiver and a model 665 analyzer for operation as outlined under general voltage and current measurements. To obtain the various readings, connect the jumper leads from the socket selector block

to the analyzer pin jacks according to the instructions given below.

(a) Release the thumb screws and pull the complete chassis out of the case.

(b) Make power connections to the plug socket at the rear of the receiver chassis.

(c) Be sure the plug and tube top grid connections are secure when taking readings.

(d) Keep the analyzer AC-DC switch on DC.

(e) Place the analyzer left-hand toggle switch in the VOLTS-MA position.

(f) Connect the short jumper cables for the various tests as indicated in table VII—Tube Voltage Chart.

(g) Connect the jumper cable from black terminal GND to receiver chassis.

(h) Set the receiver control switch on the MVC position unless otherwise specified.

(i) Set the receiver with the volume control at the maximum position (extreme clockwise).

(j) Set the tuning control to 0.2 mc (low-frequency end of band 1). Readings should deviate but slightly when switching to other bands with the tuning control remaining at the low frequency end of each band.

(k) The c-w oscillator should be OFF for the readings in table III and ON for the readings in table IV.

**(2) RESISTANCE AND CONTINUITY MEASUREMENTS.**—Remove the chassis from the cabinet and do not make any connections to the plug socket at the rear of the chassis. This procedure permits the operation of all switches without running the dynamotor and causing voltages to be built up across the various resistors and capacitors. Any voltages set up by the dynamotor in the receiver would cause serious errors in reading on the ohmmeter ranges or might possibly damage the test instruments.

**NOTE**

The readings given for tables III, IV, V, and VI are average values taken on receivers of this type using a 28-volt or 14-volt power supply

(depending on the type of receiver). Meter indications within  $\pm 10\%$  of these values will in most cases indicate correct operation.

**TABLE III — CURRENT AND VOLTAGE MEASUREMENTS WITH "C.W. OSC." OFF**

| Stage | Tube               | Plate Volts | Screen Volts | Cathode Volts | Heater Volts | Ma Plate Current | Ma Screen Current |
|-------|--------------------|-------------|--------------|---------------|--------------|------------------|-------------------|
| 1 R-F | JAN-6K7<br>(VT-86) | 184         | 70           | 2.6           | 6.3          | 4.1              | 1.0               |
| 2 R-F | JAN-6K7<br>(VT-86) | 177         | 86           | 3.2           | 6.3          | 4.8              | 1.3               |
| 1 det | JAN-6J7<br>(VT-91) | 202         | 96           | 4.2           | 6.3          | 0.23             | 0.08              |

TABLE III — CURRENT AND VOLTAGE MEASUREMENTS WITH "C.W. OSC." OFF (Continued)

| Stage  | Tube                     | Plate Volts | Screen Volts | Cathode Volts | Heater Volts | Ma Plate Current | Ma Screen Current |
|--------|--------------------------|-------------|--------------|---------------|--------------|------------------|-------------------|
| Osc    | JAN-6C5<br>(VT-65)       | 58          |              | 0.0           | 6.3          | 1.6              |                   |
| 1 I-F  | JAN-6K7<br>(VT-86)       | 182         | 82           | 3.1           | 6.5          | 4.7              | 1.2               |
| 2 I-F  | JAN-6F7<br>(VT-70)       | 207         | 82           | 3.1           | 6.5          | 4.5              | 1.4               |
| 3 I-F  | JAN-6B8<br>(VT-93)       | 207         | 72           | 21.0          | 6.5          | 2.5              | 0.6               |
| Output | JAN-41<br>(VT-48)        | 197         | 207          | 0.0           | 6.5          | 18.0             | 3.2               |
| 2 det  | JAN-6B8<br>(VT-93) diode | 8.0         |              |               |              |                  |                   |

TABLE IV — CURRENT AND VOLTAGE MEASUREMENTS WITH "C.W. OSC." ON

| Stage   | Tube                         | Plate Volts | Screen Volts | Cathode Volts | Heater Volts | Ma Plate Current | Ma Screen Current |
|---------|------------------------------|-------------|--------------|---------------|--------------|------------------|-------------------|
| 1 R-F   | JAN-6K7<br>(VT-86)           | 197         | 37           | 1.3           | 6.3          | 2.0              | 0.55              |
| 2 R-F   | JAN-6K7<br>(VT-86)           | 188         | 65           | 2.3           | 6.3          | 3.7              | 1.0               |
| 1 det   | JAN-6J7<br>(VT-91)           | 204         | 72           | 3.4           | 6.3          | 0.17             | 0.06              |
| Osc     | JAN-6C5<br>(VT-65)           | 58          |              | 0.0           | 6.3          | 1.6              |                   |
| 1 I-F   | JAN-6K7<br>(VT-86)           | 195         | 44           | 1.6           | 6.5          | 2.3              | 0.5               |
| 2 I-F   | JAN-6F7<br>(VT-70)           | 210         | 44           | 1.6           | 6.5          | 2.2              | 0.5               |
| 3 I-F   | JAN-6B8<br>(VT-93)           | 210         | 72           | 21.0          | 6.5          | 2.2              | 0.6               |
| Output  | JAN-41<br>(VT-48)            | 198         | 210          | 0.0           | 6.5          | 23.5             | 3.6               |
| C-W osc | JAN-6F7<br>(VT-70)<br>triode | 18.0        |              |               |              |                  |                   |

TABLE V — RESISTANCE TO GROUND (OHMS) WITH "C.W. OSC." OFF

| Stage | Tube               | Cathode | Plate  | Screen | "MVC" Grid | "AVC" Grid |
|-------|--------------------|---------|--------|--------|------------|------------|
| 1 R-F | JAN-6K7<br>(VT-86) | 490     | 5200   | 80,000 | 100,000    | 1.8 meg    |
| 2 R-F | JAN-6K7<br>(VT-86) | 480     | 5200   | 75,000 | 100,000    | 1.8 meg    |
| 1 det | JAN-6J7<br>(VT-91) | 15,000  | 5600   | 75,000 | 0          | 0          |
| Osc   | JAN-6C5<br>(VT-65) | 0       | 41,000 |        | 100,000    | 100,000    |
| 1 I-F | JAN-6K7<br>(VT-86) | 520     | 5600   | 70,000 | 500,000    | 1.8 meg    |
| 2 I-F | JAN-6F7<br>(VT-70) | 470     | 500    | 70,000 | 500,000    | 2.25 meg   |



TABLE V — RESISTANCE TO GROUND (OHMS) WITH "C.W. OSC." OFF (Continued)

| Stage  | Tube               | Cathode | Plate | Screen  | "MVC" Grid | "AVC" Grid |
|--------|--------------------|---------|-------|---------|------------|------------|
| 3 I-F  | JAN-6B8<br>(VT-93) | 6200    | 500   | 180,000 | 5000       | 5000       |
| Output | JAN-41<br>(VT-48)  | 0       | 1080  | 480     | 700,000    |            |

TABLE VI — RESISTANCE TO GROUND (OHMS) WITH "C.W. OSC." ON

| Stage     | Tube               | Cathode | Plate   | Screen  | "MVC" Grid | "AVC" Grid |
|-----------|--------------------|---------|---------|---------|------------|------------|
| 1 R-F     | JAN-6K7<br>(VT-86) | 490     | 5200    | 20,000  | 100,000    | 1.8 meg    |
| 2 R-F     | JAN-6K7<br>(VT-86) | 480     | 5200    | 23,000  | 100,000    | 1.8 meg    |
| 1 det     | JAN-6J7<br>(VT-91) | 15,000  | 5600    | 23,000  | 0          | 0          |
| Osc       | JAN-6C5<br>(VT-65) | 0       | 41,000  |         | 100,000    | 100,000    |
| 1 I-F     | JAN-6K7<br>(VT-86) | 520     | 5600    | 9200    | 500,000    | 1.8 meg    |
| 2 I-F     | JAN-6F7<br>(VT-70) | 470     | 500     | 9200    | 500,000    | 2.25 meg   |
| 3 I-F     | JAN-6B8<br>(VT-93) | 6200    | 500     | 180,000 | 5000       | 5000       |
| Output    | JAN-41<br>(VT-48)  | 0       | 1080    | 480     | 700,000    |            |
| C-W osc   | JAN-6F7<br>(VT-70) |         | 82,000  |         | 500,000    |            |
| Det diode | JAN-6B8<br>(VT-93) |         | 180,000 |         |            |            |
| AVC diode | JAN-6B8<br>(VT-93) |         | 380,000 |         |            |            |

(a) Set the receiver control switch to MVC unless otherwise specified.

(b) Set the receiver with the volume control at the maximum position (extreme clockwise).

(c) Set the tuning control to 0.2 mc (low-frequency end of band 1). Readings should not deviate when switching to other bands with the tuning control remaining at the low-frequency end of each band.

(d) The c-w oscillator should be OFF for the readings in table V and ON for the readings in table VI.

(e) Shift the analyzer left-hand toggle switch to the ohms position. Set up the model 665 analyzer for resistance and continuity measurements as outlined under "General Resistance and Continuity Tests" in the test set instruction book. Before taking a resistance reading on any range, short the two jumper leads plugged into the ohmmeter pin jacks and rotate the battery adjustment knob until the instrument pointer reads ex-

actly full scale. Should it be found impossible to bring the pointer up to the top mark, refer to the paragraphs on battery replacement under the heading "Maintenance" in the test set instruction book. Plug the pin tip end of the 3-foot clip lead into the block hole marked GND and clip the other end to the chassis. Connect one of the jumper leads between the remaining ground jack and one of the ohmmeter jacks on the required range. Connect the other jumper lead from the remaining ohmmeter range jack to the tube element under test. In general, ohmmeter readings will be most accurate when taken on the upper  $\frac{2}{3}$  of the scale. Wherever possible, choose the range that will give indications in this area.

g. FAILURE OF DIAL LIGHTS. — The two dial lamps are connected in series, hence, the failure of either lamp does not indicate failure of both lamps. Removal of the dial light housing gives ready access to the lamps. For replacement procedure see paragraph 2a of this section.

SECTION VI  
SUPPLEMENTARY DATA

TABLE VII — TUBE VOLTAGE AND CURRENT CHART

Tests made with Model 665 Analyzer and Model 666 Socket Selector Block, part of Test Set I-56-A, with input voltage of 28 volts for BC-348-(\*) and 14 volts for BC-224-(\*). All values are subject to  $\pm 10\%$  variation.

All readings taken with C.W. oscillator OFF.

| Test            | Tube            | Function              | Analyzer Jacks | Block Terminals | Meter Reading |
|-----------------|-----------------|-----------------------|----------------|-----------------|---------------|
| Plate Voltage   | JAN-6K7 (VT-86) | 1st R-F               | 250v and $\pm$ | 3 and GND       | 184           |
|                 | JAN-6K7 (VT-86) | 2nd R-F               | 250v and $\pm$ | 3 and GND       | 177           |
|                 | JAN-6K7 (VT-86) | 1st I-F               | 250v and $\pm$ | 3 and GND       | 182           |
|                 | JAN-6F7 (VT-70) | 2nd I-F and C.W. OSC. | 250v and $\pm$ | 2 and GND       | 205           |
|                 | JAN-6J7 (VT-91) | 1st Det               | 250v and $\pm$ | 3 and GND       | 202           |
|                 | JAN-6B8 (VT-93) | 2nd Det and 3rd I-F   | 250v and $\pm$ | 3 and GND       | 207           |
|                 | JAN-41 (VT-48)  | Output                | 250v and $\pm$ | 2 and GND       | 197           |
| Screen Voltage  | JAN-6K7 (VT-86) | 1st R-F               | 250v and $\pm$ | 4 and GND       | 70            |
|                 | JAN-6K7 (VT-86) | 2nd R-F               | 250v and $\pm$ | 4 and GND       | 86            |
|                 | JAN-6K7 (VT-86) | 1st I-F               | 250v and $\pm$ | 4 and GND       | 82            |
|                 | JAN-6F7 (VT-70) | 2nd I-F and C.W. OSC. | 250v and $\pm$ | 3 and GND       | 82            |
|                 | JAN-6J7 (VT-91) | 1st Det               | 250v and $\pm$ | 4 and GND       | 96            |
|                 | JAN-6B8 (VT-93) | 2nd Det and 3rd I-F   | 250v and $\pm$ | 6 and GND       | 72            |
|                 | JAN-41 (VT-48)  | Output                | 250v and $\pm$ | 3 and GND       | 207           |
| Cathode Voltage | JAN-6K7 (VT-86) | 1st R-F               | 10v and $\pm$  | 8 and GND       | 2.6           |
|                 | JAN-6K7 (VT-86) | 2nd R-F               | 10v and $\pm$  | 8 and GND       | 3.2           |
|                 | JAN-6K7 (VT-86) | 1st I-F               | 10v and $\pm$  | 8 and GND       | 3.1           |
|                 | JAN-6F7 (VT-70) | 2nd I-F and C.W. OSC. | 10v and $\pm$  | 6 and GND       | 3.1           |
|                 | JAN-6J7 (VT-91) | 1st Det               | 10v and $\pm$  | 8 and GND       | 4.2           |
|                 | JAN-6B8 (VT-93) | 2nd Det and 3rd I-F   | 25v and $\pm$  | 8 and GND       | 21            |
|                 | JAN-41 (VT-48)  | Output                | 25v and $\pm$  | 5 and GND       | 0             |
| Heater Voltage  | JAN-6K7 (VT-86) | 1st R-F               | 10v and $\pm$  | 2 and 7         | 6.5           |
|                 | JAN-6K7 (VT-86) | 2nd R-F               | 10v and $\pm$  | 2 and 7         | 6.5           |
|                 | JAN-6K7 (VT-86) | 1st I-F               | 10v and $\pm$  | 2 and 7         | 6.5           |
|                 | JAN-6F7 (VT-70) | 2nd I-F and C.W. OSC. | 10v and $\pm$  | 1 and 7         | 6.5           |
|                 | JAN-6J7 (VT-91) | 1st Det               | 10v and $\pm$  | 2 and 7         | 6.5           |
|                 | JAN-6B8 (VT-93) | 2nd Det and 3rd I-F   | 10v and $\pm$  | 2 and 7         | 6.5           |
|                 | JAN-41 (VT-48)  | Output                | 10v and $\pm$  | 6 and 1         | 6.5           |
| Diode Voltage   | JAN-6B8 (VT-93) | 2nd Det               | 100v and $\pm$ | 5 and GND       | 8             |
| Plate Current   | JAN-6K7 (VT-86) | 1st R-F               | 10 MA and —    | 3-3             | 4.1           |
|                 | JAN-6K7 (VT-86) | 2nd R-F               | 10 MA and —    | 3-3             | 4.8           |
|                 | JAN-6K7 (VT-86) | 1st I-F               | 10 MA and —    | 3-3             | 4.7           |
|                 | JAN-6F7 (VT-70) | 2nd I-F and C.W. OSC. | 5 MA and —     | 2-2             | 4.5           |
|                 | JAN-6J7 (VT-91) | 1st Det               | 10 MA and —    | 3-3             | 0.23          |
|                 | JAN-6B8 (VT-93) | 2nd Det and 3rd I-F   | 10 MA and —    | 3-3             | 2.5           |
|                 | JAN-41 (VT-48)  | Output                | 25 MA and —    | 2-2             | 18.0          |

TABLE VII — TUBE VOLTAGE AND CURRENT CHART (Continued)

| Test           | Tube            | Function              | Analyzer Jacks | Block Terminals | Meter Reading |
|----------------|-----------------|-----------------------|----------------|-----------------|---------------|
| Screen Current | JAN-6K7 (VT-86) | 1st R-F               | 5 MA and —     | 4-4             | 1.0           |
|                | JAN-6K7 (VT-86) | 2nd R-F               | 5 MA and —     | 4-4             | 1.3           |
|                | JAN-6K7 (VT-86) | 1st I-F               | 5 MA and —     | 4-4             | 1.2           |
|                | JAN-6F7 (VT-70) | 2nd I-F and C.W. OSC. | 5 MA and —     | 3-3             | 1.4           |
|                | JAN-6J7 (VT-91) | 1st Det               | 5 MA and —     | 4-4             | 0.08          |
|                | JAN-6B8 (VT-93) | 2nd Det and 3rd I-F   | 1 MA and —     | 6.6             | 0.6           |
|                | JAN-41 (VT-48)  | Output                | 5 MA and —     | 3-3             | 3.2           |

NOTE: Voltage at the socket of R-F oscillator tube JAN-6C5 (VT-65) cannot be checked because of its location.

TABLE VIII — CHARACTERISTICS OF TUBES, LAMPS, VOLTAGE REGULATOR AND FUSES

## TUBE CHARACTERISTICS

(Table applies to either 14-volt receiver or 28-volt receiver)

| Tube            | Heater |       | Screen Volts | Plate Volts | Grid Volts | Plate Ma | Screen Ma | $\mu$ | Plate Resistance Ohms | Transconductance Micromhos |
|-----------------|--------|-------|--------------|-------------|------------|----------|-----------|-------|-----------------------|----------------------------|
|                 | Volts  | Amps. |              |             |            |          |           |       |                       |                            |
| JAN-6K7 (VT-86) | 6.3    | 0.3   | 100          | 250         | -3         | 7.0      | 1.7       | 1,160 | 800,000               | 1,450                      |
| JAN-6J7 (VT-91) | 6.3    | 0.3   | 100          | 250         | -3         | 2.0      | 0.5       | 1,500 | 1,500,000             | 1,225                      |
| JAN-6F7 (VT-70) | 6.3    | 0.3   | 100          | 250         | -3         | 6.5      | 1.5       | 900   | 850,000               | 1,100                      |
|                 |        | Tri.  | —            | 100         | -3         | 3.5      | —         | 8     | 16,000                | 500                        |
| JAN-6B8 (VT-93) | 6.3    | 0.3   | 125          | 250         | -3         | 10       | 2.3       | 800   | 600,000               | 1,325                      |
| JAN-6C5 (VT-65) | 6.3    | 0.3   | —            | 250         | -8         | 8        | —         | 20    | 10,000                | 2,000                      |
| JAN-41 (VT-48)  | 6.3    | 0.4   | 250          | 250         | -18        | 32       | 5.5       | 150   | 68,000                | 2,200                      |

## DIAL LAMPS

| Type  | Volts | Amps. |
|-------|-------|-------|
| LM-27 | 6.3   | 0.25  |

## VOLTAGE REGULATOR RCA-991

|                         |                       |
|-------------------------|-----------------------|
| Starting supply voltage | 87 volts min.         |
| Operating voltage       | 60 volts              |
| Operating current       | 0.5 to 2 milliamperes |

## FUSES

| Type  | Receiver   | Amps. |
|-------|------------|-------|
| FU-35 | BC-348-(★) | 5     |
| FU-23 | BC-224-(★) | 10    |

TABLE IX — DESCRIPTION OF TRANSFORMERS (Ref. Nos. 71-100)

| Reference No. | Description           | Function                            |
|---------------|-----------------------|-------------------------------------|
| 71-76         | Antenna bands 1-6     | 1st R-F tuned circuit               |
| 77-80         | R-F bands 1-4         | 1st R-F to 2nd R-F coupling         |
| 81-82         | R-F bands 5-6         | 1st R-F to 2nd R-F coupling         |
| 83-88         | 1st detector band 1-6 | 2nd R-F to 1st detector coupling    |
| 89-93         | Oscillator band 1-5   | Oscillator to 1st detector coupling |
| 94            | Oscillator band 6     | Oscillator to 1st detector coupling |
| 95            | 1st I-F               | 1st detector to crystal coupling    |
| 96            | Crystal filter        | Crystal to 1st I-F coupling         |
| 97            | 2nd I-F               | 1st I-F to 2nd I-F coupling         |
| 98            | C-W oscillator        | Grid and plate coupling             |
| 99            | 3rd I-F               | 2nd I-F to 3rd I-F coupling         |
| 100           | 4th I-F               | 3rd I-F to 2nd detector coupling    |

TABLE X — PARTS DESCRIBED BUT NOT STOCKED

| Reference No. | Name of Part                | Description   | Function   |
|---------------|-----------------------------|---|--|
| 315           | End bell                    | Part of dynamotor, type 3-1030A or equivalent         | Low voltage end bearing                                    |
| 316           | End bell                    | Part of dynamotor, type 3-1031A or equivalent         | High voltage end bearing                                   |
| 319           | Tie bars                    | Part of dynamotor, type SCR-187 or equivalent         | Hold items 315, 316 to frame                               |
| 320           | Brush caps                  | Part of dynamotor, type 4-1007A or equivalent         | Holds brushes  |
| 321           | Grommet                     | Part of dynamotor, type GRO-106 or equivalent         | Protects terminal wires                                    |
| 322           | Gasket                      | Part of dynamotor, type GAS-101 or equivalent         | Prevents leakage of lubricant                              |
| 323           | Plate                       | Part of dynamotor, type EPL-101 or equivalent         | Bearing retainer   |
| 324           | Cover                       | Part of dynamotor, type COV-125 or equivalent         | Dust cover   |
| 350           | Bracket and gear assembly   | Pair of bevelled gears and coupling                   | Drives band change switch                                  |
| 351           | Coupling                    | Flanged collar with rectangular slot                  | Coupling band change knob shaft to 350                     |
| 352           | Coupling slide              | Disc with two rectangular keys                        | Slide between 2 of 351                                     |
| 353           | Window frame assembly       | Removable cast housing which holds dial glass         | Covers dial lamps  |
| 355           | Friction spreader           | Phosphor bronze spring                                | Prevents controls from turning under vibration             |
| 356           | Jack cover assembly         | Spring actuated cover                                 | Seals jack openings  |
| 357           | Bushing                     | Threaded bushing                                      | Holds handle to panel and provides bearing for thumb screw |
| 358           | Nut                         | Special locking nut                                   | Holds 357  |
| 359           | Thumb screw assembly        | No. 10-24 x $\frac{1}{32}$ " long (less knob)         | Holds chassis in cabinet                                   |
| 360           | Nut                         | Special locking nut                                   | Holds upper end of handles                                 |
| 361           | Flexible shaft and coupling | 5 $\frac{1}{2}$ " long including couplings, special   | Operates c-w oscillator                                    |
| 362           | Extension shaft             | Special shaft, 0.594" long                            | Operates crystal ON-OFF switch                             |
| 363           | Shaft and coupling assembly | Flexible shaft with insulated coupling                | Operates antenna trimmer                                   |
| 364           | Switch shaft                | Flat shaft, type A-141645-1                           | Operates band switch                                       |
| 366           | Dial mask assembly          | Plate with cutouts                                    | Masks undesired dial scales                                |
| 367           | Dial assembly               | Calibrated circular dial with hub and large spur gear | Gives frequency setting                                    |
| 368           | Stop arm assembly           | Lever with roller and pawl                            | Stops condenser at end of travel                           |
| 369           | Index plate                 | Phosphor bronze strip painted red                     | Dial scale index   |
| 370           | Stop                        | Cast bushing with key                                 | Stops stop arm   |
| 371           | Stud                        | Shouldered stud threaded 4-40 one end                 | Pivot pin for part 368                                     |
| 378           | Guide assembly              | Arm and roller assembly                               | Engages index wheel for switch locations                   |

TABLE X — PARTS DESCRIBED BUT NOT STOCKED (Continued)

| <i>Reference No.</i> | <i>Name of Part</i>         | <i>Description</i>              | <i>Function</i>                                   |
|----------------------|-----------------------------|---------------------------------|---|
| 373                  | Spring                      | Coiled spring                   | Operation of indexing arm 372                     |
| 374                  | Gear and pinion assembly    | Spur gear and pinion assembly   | Idler reducing gear between tuning shaft and dial |
| 375                  | Pinion                      | Pinion (pinned to tuning shaft) | Dial drive pinion meshing with 374                |
| 376                  | Worm                        | Worm, single pitch              | Drives cross shaft of condenser drive             |
| 377                  | Gear assembly               | Split worm wheel                | Part of condenser drive train                     |
| 378                  | Pinion and bushing assembly | Pinion on cross shaft           | Drives tuning condenser gear                      |
| 379                  | Spring                      | Torsion spring                  | Holds 368   |
| 380                  | C washer                    | C washer                        | Against dial used to retain items 372 and 374     |
| 399                  | Mounting                    | Mounting base assembly          | Supports receiver                                 |
| 400                  | Mounting plate assembly     | Part of 399                     | Supports 401                                      |
| 401                  | Base and stiffener assembly | Part of 399                     | Supports receiver and plug 403 or 404             |
| 402                  | Cap screw                   | 1/4-20 x 1 1/16 long            |   |
| 403                  | PL-P103                     | 8-pole female power connector   | Makes connection to exterior equipment            |
| 404                  | PL-Q103                     | 8-pole female power connector   | Makes connection to exterior equipment            |
| 405                  | Jack block                  | Part of 403 and 404             | Holds contactors                                  |
| 406                  | Jack block                  | Part of 403 and 404             | Holds contactors                                  |
| 407                  | Jack block                  | Part of 403 and 404             | Holds contactors                                  |
| 408                  | Jack block                  | Part of 403 and 404             | Holds contactors                                  |
| 409                  | Jack housing assembly       | Part of 403 and 404             | Houses jack blocks                                |
| 410                  | Fitting (right angle)       | Part of 404                     | Cable protection and shielding                    |
| 411                  | Fitting (straight)          | Part of 403                     | Cable protection and shielding                    |
| 412                  | Contact spring assembly     | Part of 403 and 404             | Contact   |
| 413                  | Jack housing cover          | Part of 403 and 404             | Covers jack block terminals                       |
| 414                  | Cover                       | Part of 257                     | Top   |
| 415                  | Cover                       | Part of 257                     | Bottom  |
| 416                  | Shield                      | Part of 257                     | Side and ends                                     |
| 417                  | Cover                       | Part of 258                     | Top   |
| 418                  | Cover                       | Part of 258                     | Bottom  |
| 419                  | Shield                      | Part of 258                     | Side and ends                                     |
| 420                  | Cover                       | Part of 259                     | Top   |

TABLE X — PARTS DESCRIBED BUT NOT STOCKED (Continued)

| Reference No.  | Name of Part         | Description  | Function                            |
|----------------|----------------------|--|-------------------------------------|
| 421            | Cover                | Part of 259  | Bottom                              |
| 422            | Shield               | Part of 259  | Side and ends                       |
| 423            | Cover                | Part of 260  | Top                                 |
| 424            | Cover                | Part of 260  | Bottom                              |
| 425            | Cover                | Part of 260  | Side                                |
| 426            | Shield               | Part of 260  | Side and ends                       |
| 427            | Shield can           | Part of 251  | Top                                 |
| 428            | Shield can           | Part of 252  | Top                                 |
| 429            | Shield can           | Part of 253  | Top                                 |
| 430            | Shield can           | Part of 254  | Top                                 |
| 431            | Shield can           | Part of 255  | Top                                 |
| 432            | Shield can           | Part of 256  | Top                                 |
| 433            | Tube guide           | Cylindrical socket for tube base                     | Supports Tube VT-70 and tube shield |
| 434            | Tube guide           | Cylindrical socket for tube base                     | Supports Tube VT-48                 |
| 435            | Shield can, less top | Part of 251  | 1st I-F Transformer assembly shield |
| 436            | Shield can, less top | Part of 252  | 2nd I-F transformer assembly shield |
| 437            | Shield can, less top | Part of 253  | 3rd I-F transformer assembly shield |
| 438            | Shield can, less top | Part of 254  | 4th I-F transformer assembly shield |
| 439            | Shield can, less top | Part of 255  | Crystal filter assembly shield      |
| 440            | Shield can, less top | Part of 256  | C-W oscillator assembly             |
| 500            | Resistor             | Variable 200 ohms $\pm 10\%$ , special 4 watts       | Dial lamp control                   |
| 501A           | Resistor             | Insulated 1.7 ohms $\pm 10\%$ , type MN-2, 1.5 watts | Filament                            |
| 501B           | Resistor             | 180 ohms, $\pm 10\%$ , type MN-2, 1.9 watts          | Filament                            |
| 503            | Resistor             | Insulated 60 ohms $\pm 10\%$ , 3.7 watts, type MW-2  | Dial lamp series                    |
| 504            | Fuse clip assembly   | Laminated phenolic strip with fuse clips             | Power fuse                          |
| 511            | Armature             | Part of 510, type 5-1046A or equivalent              | Dynamotor                           |
| 514 }<br>515 } | Field windings       | Field windings are available in pairs only           | Dynamotor                           |

TABLE XI — RMA COLOR CODES

| RMA COLOR CODE FOR RESISTORS (OHMS) |                |                |                 |
|-------------------------------------|----------------|----------------|-----------------|
| COLOR                               | A<br>1st DIGIT | B<br>2nd DIGIT | C<br>MULTIPLIER |
| SILVER                              |                |                | 0.01            |
| GOLD                                |                |                | 0.1             |
| BLACK                               |                | 0              | 1.0             |
| BROWN                               | 1              |                | 10              |
| RED                                 | 2              |                | 100             |
| ORANGE                              | 3              |                | 1,000           |
| YELLOW                              | 4              |                | 10,000          |
| GREEN                               | 5              |                | 100,000         |
| BLUE                                | 6              |                | 1,000,000       |
| PURPLE                              | 7              |                | 10,000,000      |
| GRAY                                | 8              |                | 100,000,000     |
| WHITE                               | 9              |                |                 |

| D — TOLERANCE CODE: |                             |
|---------------------|-----------------------------|
| GOLD = 5%           | SILVER = 10% NO COLOR = 20% |

OLD COLOR ARRANGEMENT

NEW COLOR ARRANGEMENT

**BODY COLOR (NEW COLOR ARRANGEMENT ONLY) INDICATES TYPE OF RESISTOR, AS FOLLOWS:—**  
 BLACK — COMPOSITION, NON-INSULATED  
 TAN, OLIVE OR WHITE — COMPOSITION, INSULATED  
 DARK BROWN — WIRE-WOUND, INSULATED

| RMA COLOR CODES FOR CAPACITORS (MMFD) |         |       |                      |
|---------------------------------------|---------|-------|----------------------|
| COLOR                                 | NUMERAL | VOLTS | MULTIPLIER TOLERANCE |
| BLACK                                 | 0       |       | 1                    |
| BROWN                                 | 1       | 100   | 10                   |
| RED                                   | 2       | 200   | 100                  |
| ORANGE                                | 3       | 300   | 1,000                |
| YELLOW                                | 4       | 400   | 10,000               |
| GREEN                                 | 5       | 500   | 100,000              |
| BLUE                                  | 6       | 600   | 1,000,000            |
| VIOLET                                | 7       | 700   | 10,000,000           |
| GRAY                                  | 8       | 800   | 100,000,000          |
| WHITE                                 | 9       | 900   | 1,000,000,000        |
| GOLD                                  |         | 1000  | 0.1                  |
| SILVER                                |         | 2000  | 0.01                 |
| NO COLOR                              |         | 500   | 5%                   |
|                                       |         |       | 10%                  |
|                                       |         |       | 20%                  |

500 V. D.C. WORKING

D.C. WORKING VOLTAGE

SECTION VII  
TABLE OF REPLACEABLE PARTS — PART I

MODEL: RADIO RECEIVER BC-348-(\*) OR BC-224-(\*)

| Reference Symbol | Army Stock Number<br>Navy Type Number<br>British Reference Number | Name of Part and Description   | Function                  | Mfr. and Designation   | Drawing or Specification No. |
|------------------|---|--|---------------------------|--|------------------------------|
| 1-A              | 3D9016V-2   | CAPACITOR: variable; 4-section; 14 to 331 mmfd each section; 9 stator and 10 rotor plates, each section.   | Main tuning               | Stromberg-Carlson  | D-5024                       |
| 1-B              |   | CAPACITOR: Same as 1-A   | Main tuning               |  |                              |
| 1-C              |   | CAPACITOR: Same as 1-A   | Main tuning               |  |                              |
| 1-D              |   | CAPACITOR: Same as 1-A   | Main tuning               |  |                              |
| 2                | 3D9050V-60  | CAPACITOR: variable; 5 to 50 mmfd; 14 plates; shaft 7/8" long.   | Antenna coupling          | Stromberg-Carlson  | D-3450                       |
| 3-1              | 3D9050V-31  | CAPACITOR: variable; 5 to 50 mmfd; 14 plates, Oak type #595-C-AI   | Antenna unit trimmer      | Stromberg-Carlson  | D-3458                       |
| 3-2              |   | CAPACITOR: Same as 3-1   | R-F unit trimmer          |  |                              |
| 3-4              |   | CAPACITOR: Same as 3-1   | R-F unit trimmer          |  |                              |
| 3-5              |   | CAPACITOR: Same as 3-1   | 1st detector unit trimmer |  |                              |
| 3-6              |   | CAPACITOR: Same as 3-1   | 1st detector unit trimmer |  |                              |
| 3-7              |   | CAPACITOR: Same as 3-1   | Oscillator unit trimmer   |  |                              |
| 3-8              |   | CAPACITOR: Same as 3-1 (not used in Radio Receivers BC-348-E, BC-348-M, BC-348-P)  | Antenna unit trimmer      |  |                              |
| 4-1              | 3D9050V-32  | CAPACITOR: variable; 4.5 to 50 mmfd; 14 plates; Oak type A592-C-AI   | Antenna unit trimmer      | Stromberg-Carlson  | D-3448                       |
| 4-2              |   | CAPACITOR: Same as 4-1   | R-F unit trimmer          |  |                              |
| 4-3              |   | CAPACITOR: Same as 4-1   | 1st detector unit trimmer |  |                              |
| 5-1              | 3D9025V-4<br>(also shipped as 3DF100)                             | CAPACITOR: variable; 4 to 25 mmfd; 7 plates; dimensions 1 7/32" x 1 1/16" x 9/16"; ceramic insulation; parallel trimmers; mounting centers 2 1/32" | Antenna unit trimmer      | Oak Mfg. Co.<br>594-B-AI<br>Radio Condenser<br>type 34 Special<br>Automatic Winding<br>Co. type A754-148 | Stromberg-Carlson<br>D-3455  |
| 5-2              |   | CAPACITOR: Same as 5-1   | Antenna unit trimmer      |  |                              |
| 5-3              |   | CAPACITOR: Same as 5-1   | R-F unit trimmer          |  |                              |



## TABLE OF REPLACEABLE PARTS — PART I

MODEL: RADIO RECEIVER BC-348-(\*) OR BC-224-(\*)

| Reference Symbol | Army Stock Number<br>Navy Type Number<br>British Reference Number | Name of Part and Description  | Function                            | Mfr. and Designation | Drawing or Specification No. |
|------------------|---|---|-------------------------------------|----------------------|------------------------------|
| 5-4              |   | CAPACITOR: Same as 5-1  | R-F unit trimmer                    |                      |                              |
| 5-5              |   | CAPACITOR: Same as 5-1  | 1st detector unit trimmer           |                      |                              |
| 5-6              |   | CAPACITOR: Same as 5-1  | 1st detector unit trimmer           |                      |                              |
| 5-7              |   | CAPACITOR: Same as 5-1  | Oscillator unit trimmer             |                      |                              |
| 5-8              |   | CAPACITOR: Same as 5-1  | Oscillator unit trimmer             |                      |                              |
| 6-1              | 3D9025V-5<br>(also shipped as 3DF105)                             | CAPACITOR: variable; 4 to 25 mmfd, 7 plates, dimensions $1\frac{1}{32}$ " x $1\frac{1}{16}$ " x $1\frac{1}{32}$ " | Oscillator unit trimmer             | Stromberg-Carlson    | D-3535                       |
| 6-2              |   | CAPACITOR: Same as 6-1  | Oscillator unit trimmer             |                      |                              |
| 6-3              |   | CAPACITOR: Same as 6-1 (not used in BC-348-E, M, P)   | Oscillator unit trimmer             |                      |                              |
| 6-4              |   | CAPACITOR: Same as 6-1 (not used in BC-348-E, M, P)   | Oscillator unit trimmer             |                      |                              |
| 6-5              |   | CAPACITOR: Same as 6-1 (not used in BC-348-E, M, P)   | Oscillator unit trimmer             |                      |                              |
| 7                | 3D9010V-3<br>(also shipped as 3DF103)                             | CAPACITOR: variable; 3 to 10 mmfd, 3 plates, has parallel trimmer   | Crystal filter adjustment           | Stromberg-Carlson    | D-3823                       |
| 8                | 3D9010V-4<br>(also shipped as 3D102)                              | CAPACITOR: variable; 3 to 10 mmfd, 3 plates, dimensions $1\frac{1}{32}$ " x $1\frac{1}{16}$ " x $1\frac{1}{16}$ " | C-W oscillator frequency adjustment | Stromberg-Carlson    | D-3809                       |
| 9-1              | 3DA10-94<br>(also shipped as 3DA10-96)                            | CAPACITOR: fixed; 10,000 mmfd, $\pm 10\%$ , 500 volts d-c working; paper  | 1st R-F cathode bypass              | RCA                  | M-420394-1                   |
| 9-2              |   | CAPACITOR: Same as 9-1  | 1st R-F screen bypass               |                      |                              |
| 9-3              |   | CAPACITOR: Same as 9-1  | 2nd R-F cathode bypass              |                      |                              |
| 9-4              |   | CAPACITOR: Same as 9-1  | 2nd R-F screen bypass               |                      |                              |
| 9-5              |   | CAPACITOR: Same as 9-1  | 1st detector screen bypass          |                      |                              |
| 9-6              |   | CAPACITOR: Same as 9-1  | 1st I-F transformer bypass          |                      |                              |
| 9-7              |   | CAPACITOR: Same as 9-1  | Crystal filter transformer bypass   |                      |                              |
| 9-8              |   | CAPACITOR: Same as 9-1  | 1st I-F cathode bypass              |                      |                              |

TABLE OF REPLACEABLE PARTS — PART I

MODEL: RADIO RECEIVER BC-348-(\*) OR BC-224-(\*)

| Reference Symbol | Army Stock Number<br>Navy Type Number<br>British Reference Number | Name of Part and Description  | Function                           | Mfr. and Designation | Drawing or Specification No. |
|------------------|---|---|------------------------------------|----------------------|------------------------------|
| 9-9              |   | CAPACITOR: Same as 9-1  | 1st I-F plate bypass               |                      |                              |
| 9-10             |   | CAPACITOR: Same as 9-1  | 2nd I-F transformer bypass         |                      |                              |
| 9-11             |   | CAPACITOR: Same as 9-1  | 2nd I-F cathode bypass             |                      |                              |
| 9-12             |   | CAPACITOR: Same as 9-1  | C-W oscillator plate bypass        |                      |                              |
| 9-13             |   | CAPACITOR: Same as 9-1  | Plug terminal bypass               |                      |                              |
| 9-14             |   | CAPACITOR: Same as 9-1  | AVC bypass                         |                      |                              |
| 9-15             |   | CAPACITOR: Same as 9-1  | 3rd I-F transformer bypass         |                      |                              |
| 9-16             |   | CAPACITOR: Same as 9-1  | 3rd I-F cathode bypass             |                      |                              |
| 9-17             |   | CAPACITOR: Same as 9-1  | Heater bypass                      |                      |                              |
| 9-18             |   | CAPACITOR: Same as 9-1  | Battery bypass                     |                      |                              |
| 10-1             | 3DA10-136<br>(also shipped as<br>2C4224A/C9 and<br>3DA10-136.1)   | CAPACITOR: fixed; 10,000 mmfd, $\pm 10\%$ , 300 volts d-c working; mica       | Antenna coil bypass                | RCA                  | M-420394-23                  |
| 10-2             |   | CAPACITOR: Same as 10-1   | R-F plate bypass                   |                      |                              |
| 10-3             |   | CAPACITOR: Same as 10-1   | R-F coil bypass                    |                      |                              |
| 10-4             |   | CAPACITOR: Same as 10-1   | 2nd R-F plate bypass               |                      |                              |
| 11-1*            |   | CAPACITOR: Same as 10-1   | Heterodyne oscillator plate bypass |                      |                              |
| 11-2*            |   | CAPACITOR: Same as 10-1   | 1st detector cathode bypass        |                      |                              |
| 12-1*            | 3DA5-32   | CAPACITOR: fixed; 5,000 mmfd, $\pm 10\%$ ; 500 volts d-c working; silver mica | Audio transformer secondary bypass | RCA                  | M-420394-24                  |
| 12-2*            |   | CAPACITOR: Same as 12-1   | Band 1, antenna series             |                      |                              |

\* See Part II of this table.

## TABLE OF REPLACEABLE PARTS — PART I

MODEL: RADIO RECEIVER BC-348-(\*) OR BC-224-(\*)

| Reference Symbol | Army Stock Number<br>Navy Type Number<br>British Reference Number | Name of Part and Description  | Function                             | Mfr. and Designation | Drawing or Specification No. |
|------------------|---|---|--------------------------------------|----------------------|------------------------------|
| 13*              | 3D9390  | CAPACITOR: fixed; 390 mmfd, $\pm 1.2\%$ ; 500 volts d-c working; silver mica                  | Oscillator series                    | RCA                  | P-721286-6                   |
| 14*              | 3DA2.240-1  | CAPACITOR: fixed; 2,240 mmfd, $\pm 3\%$ ; 500 volts d-c working; salt water seal; silver mica | Oscillator series                    | RCA                  | P-721286-9                   |
| 15-1             | 3DA1.500-1<br>(also shipped as<br>3DA1.500-3)                     | CAPACITOR: fixed; 1,500 mmfd, $\pm 10\%$ ; 500 volts d-c working; mica                        | Audio coupling condenser             |                      |                              |
| 15-2             |   | CAPACITOR: Same as 15-1   | Audio transformer primary bypass     |                      |                              |
| 16               | 3D9670-1  | CAPACITOR: fixed; 670 mmfd, $\pm 1.2\%$ ; 500 volts d-c working; mica                         | Oscillator series                    |                      |                              |
| 17*              | 3D9130-1  | CAPACITOR: fixed; 130 mmfd, $\pm 5\%$ ; 500 volts d-c working; silver mica                    | Oscillator series                    | RCA                  | M-420394-10                  |
| 18-1             | 3D9500-63   | CAPACITOR: fixed; 500 mmfd, $\pm 5\%$ ; 500 volts d-c working; silver mica                    | 1st I-F transformer secondary tuning | RCA                  | M-420394-25                  |
| 18-2             |   | CAPACITOR: Same as 18-1   | 1st I-F transformer secondary tuning |                      |                              |
| 19               | 3D9285  | CAPACITOR: fixed; 285 mmfd, $\pm 5\%$ ; 500 volts d-c working; silver mica                    | Crystal transformer tuning           |                      |                              |
| 20-1             | 3D9260-3  | CAPACITOR: fixed; 260 mmfd, $\pm 5\%$ ; 500 volts d-c working; silver mica                    | 2nd I-F transformer primary tuning   | RCA                  | M-420394-19                  |
| 20-2             |   | CAPACITOR: Same as 20-1   | 2nd I-F transformer secondary tuning |                      |                              |
| 20-3             |   | CAPACITOR: Same as 20-1   | 3rd I-F transformer secondary tuning |                      |                              |
| 21-1             | 3D9250-18   | CAPACITOR: fixed; 250 mmfd, $\pm 5\%$ ; 500 volts d-c working; silver mica                    | 1st I-F transformer primary tuning   | RCA                  | M-420394-18                  |
| 21-2             |   | CAPACITOR: Same as 21-1   | 3rd I-F transformer primary tuning   |                      |                              |
| 22-1             | 3D9240-1  | CAPACITOR: fixed; 240 mmfd, $\pm 5\%$ ; 500 volts d-c working; silver mica                    | C-W oscillator padding               | RCA                  | M-420394-17                  |

\* See Part II of this table.

TABLE OF REPLACEABLE PARTS — PART I

MODEL: RADIO RECEIVER BC-348-(\*) OR BC-224-(\*)

| Reference Symbol | Army Stock Number<br>Navy Type Number<br>British Reference Number | Name of Part and Description  | Function                             | Mfr. and Designation | Drawing or Specification No. |
|------------------|---|---|--------------------------------------|----------------------|------------------------------|
| 22-2             |   | CAPACITOR: Same as 22-1   | 2nd detector bypass                  |                      |                              |
| 23*              | 3D9170-4  | CAPACITOR: fixed; 170 mmfd, $\pm 1.2\%$ ; 500 volts d-c working; silver mica                | Oscillator series.                   | RCA                  | P-721286-7                   |
| 24-1             | 3D9155  | CAPACITOR: fixed; 155 mmfd, $\pm 1.8\%$ ; 500 volts d-c working; silver mica                | Antenna unit series                  | RCA                  | M-420394-8                   |
| 24-2             |   | CAPACITOR: Same as 24-1   | R-F unit series                      |                      |                              |
| 24-3             |   | CAPACITOR: Same as 24-1   | 1st detector unit series             |                      |                              |
| 25*              | 3D9025-31   | CAPACITOR: fixed; 25 mmfd, $\pm 5\%$ ; 500 volts d-c working; silver mica, salt water seal  | Antenna unit padding                 | RCA                  | P-721286-3                   |
| 26-1             | 3D9150-7  | CAPACITOR: fixed; 150 mmfd, $\pm 5\%$ ; 500 volts d-c working; silver mica                  | C-W oscillator grid                  | RCA                  | M-420394-21                  |
| 26-2             |   | CAPACITOR: Same as 26-1   | 4th I-F transformer secondary tuning |                      |                              |
| 27*              | 3D9135-4  | CAPACITOR: fixed; 135 mmfd, $\pm 1.2\%$ ; 500 volts d-c working; silver mica                | Oscillator series                    |                      |                              |
| 28-1             | 3D9135  | CAPACITOR: fixed; 135 mmfd, $\pm 2\%$ ; 500 volts d-c working; silver mica                  | Antenna unit series                  | RCA                  | M-420394-7                   |
| 28-2             |   | CAPACITOR: Same as 28-1   | R-F unit series                      |                      |                              |
| 28-3             |   | CAPACITOR: Same as 28-1   | 1st detector unit series             |                      |                              |
| 29-1*            | 3D9470-4  | CAPACITOR: fixed; 470 mmfd, $\pm 2\%$ ; 500 volts d-c working; silver mica; salt water seal | Antenna unit series                  | RCA                  | P-721286-4                   |
| 29-2*            |   | CAPACITOR: Same as 29-1   | R-F unit series                      |                      |                              |
| 29-3*            |   | CAPACITOR: Same as 29-1   | 1st detector unit series             |                      |                              |
| 30               | 3D9100-19<br>(also shipped as<br>3D9100-55)                       | CAPACITOR: fixed; 100 mmfd, $\pm 5\%$ ; 500 volts, d-c working; silver mica                 | Heterodyne oscillator grid           | RCA                  | M-420394-11                  |
| 31-1             | 3D9075-2<br>(also shipped as<br>3D9075-4)                         | CAPACITOR: fixed; 75 mmfd, $\pm 5\%$ ; 500 volts, d-c working; silver mica                  | R-F unit paddler                     | RCA                  | M-420394-9                   |

\* See Part II of this table.

## TABLE OF REPLACEABLE PARTS — PART I

MODEL: RADIO RECEIVER BC-348-(\*) OR BC-224-(\*)

| Reference Symbol | Army Stock Number<br>Navy Type Number<br>British Reference Number | Name of Part and Description   | Function                            | Mfr. and Designation     | Drawing or Specification No. |
|------------------|---|--|-------------------------------------|--------------------------|------------------------------|
| 31-2             |   | CAPACITOR: Same as 31-1  | 1st detector unit padder            |                          |                              |
| 31-3             |   | CAPACITOR: Same as 31-1  | Diode coupling                      |                          |                              |
| 31-4             |   | CAPACITOR: Same as 31-1 (not used in BC-348-E, M, P)   | Diode coupling                      |                          |                              |
| 32               | 3D9047<br>(also shipped as<br>3D9047-1)                           | CAPACITOR: fixed; 47 mmfd, $\pm 5\%$ ; 500 volts d-c working; silver mica  | 4th I-F transformer primary tuning  | RCA                      | M-420394-22                  |
| 33-1*            | 3D9050-7  | CAPACITOR: fixed; 50 mmfd, $\pm 5\%$ ; 500 volts d-c working; silver mica  | Antenna unit padder                 | RCA                      | P-721286-1                   |
| 33-2*            |   | CAPACITOR: Same as 33-1  | R-F unit padder                     |                          |                              |
| 33-3*            |   | CAPACITOR: Same as 33-1  | 1st detector unit padder            |                          |                              |
| 34               | 3D9085  | CAPACITOR: fixed; 85 mmfd, $\pm 2.5\%$ ; 500 volts d-c working; zero temperature coefficient; ceramic                                  | Oscillator temperature compensating | Stromberg-Carlson        | D-4053                       |
| 35               | 3D9047-1<br>(also shipped as<br>3D9047-6 and<br>3D9047-1.1)       | CAPACITOR: fixed; 47 mmfd, $\pm 5\%$ ; 500 volts d-c working; zero temperature coefficient; ceramic                                    | Oscillator temperature compensating | RCA<br>Stromberg-Carlson | M-420506-2<br>D-4052         |
| 36*              | 3D9030-5.1<br>(also shipped as<br>3D90-54)                        | CAPACITOR: fixed; 30 mmfd, $\pm 2.5\%$ ; 500 volts d-c working; negative temperature coefficient; ceramic                              | Oscillator temperature compensating | RCA                      | M-428801-22                  |
| 37-1             | 3D9025V-6<br>(also shipped as<br>3DF98)                           | CAPACITOR: variable; 4 to 25 mmfd; 7 plates  | R-F unit trimmer                    | Stromberg-Carlson        | D-5023                       |
| 37-2             |   | CAPACITOR: Same as 37-1  | 1st detector unit trimmer           |                          |                              |
| 38-1A            | 3DA500-42<br>(also shipped as<br>3DA500-60)                       | CAPACITOR: fixed; 0.5 mfd x 0.5 mfd (dual) $\pm 15\%$ ; 250 volts d-c working; oil paper; solder lug bent down 15°; flat mounting base | 4th I-F transformer filter          | RCA                      | M-420505-1                   |
| 38-1B            |   | CAPACITOR: Same as 38-1A   | Volume control filter               |                          |                              |
| 38-2A            |   | CAPACITOR: Same as 38-1A   | Screen voltage filter               |                          |                              |
| 38-2B            |   | CAPACITOR: Same as 38-1A   | Output plate filter                 |                          |                              |

\* See Part II of this table.

TABLE OF REPLACEABLE PARTS — PART I

MODEL: RADIO RECEIVER BC-348-(\*) OR BC-224-(\*)

| Reference Symbol | Army Stock Number<br>Navy Type Number<br>British Reference Number | Name of Part and Description  | Function                   | Mfr. and Designation | Drawing or Specification No. |
|------------------|---|---|----------------------------|----------------------|------------------------------|
| 38-3A            |   | CAPACITOR: Same as 38-1A  | Noise compensator filter   |                      |                              |
| 38-3B            |   | CAPACITOR: Same as 38-1A  | 1st I-F screen filter      | RCA                  | M-420505-2                   |
| 39-1A            | 3DA500-47<br>(also shipped as<br>3DA500-89 and<br>3DA500-61)      | CAPACITOR: fixed; 0.5 mfd x 0.5 mfd (dual) $\pm 5\%$ ;<br>250 volts d-c working; oil paper; solder lugs bent up 15° | 4th I-F transformer filter |                      |                              |
| 39-1B            |   | CAPACITOR: Same as 39-1A  | 4th I-F transformer filter |                      |                              |
| 39-2A            |   | CAPACITOR: Same as 39-1A  | Output grid filter         |                      |                              |
| 39-2B            |   | CAPACITOR: Same as 39-1A  | Screen voltage filter      |                      |                              |
| 39-3A            |   | CAPACITOR: Same as 39-1A  | 1st I-F screen filter      |                      |                              |
| 39-3B            |   | CAPACITOR: Same as 39-1A  | 3rd I-F screen filter      |                      |                              |
| 40-1             | 3Z6047 or<br>3Z6047-5   | RESISTOR: fixed; 470 ohms, $\pm 10\%$ ; 1/2 watt; carbon  | 1st R-F cathode            | RCA                  | K-850981-58                  |
| 40-2             |   | RESISTOR: Same as 40-1  | 2nd R-F cathode            |                      |                              |
| 40-3             |   | RESISTOR: Same as 40-1  | 1st R-F cathode            |                      |                              |
| 40-4             |   | RESISTOR: Same as 40-1  | 2nd R-F cathode            |                      |                              |
| 41-1             | 3Z4525 or<br>3Z6100-58  | RESISTOR: fixed; 1000 ohms, $\pm 10\%$ ; 1/2 watt; carbon   | Oscillator plate           | RCA                  | K-850981-62                  |
| 41-2             |   | RESISTOR: Same as 41-1  | 3rd I-F cathode            |                      |                              |
| 41-3             |   | RESISTOR: Same as 41-1 (used only in Radio Receivers<br>BC-348-E, BC-348-M, BC-348-P)                               | 1st R-F primary            |                      |                              |
| 42-1             | 3Z6470-2 or<br>3Z6470-8   | RESISTOR: fixed; 4700 ohms, $\pm 10\%$ ; 1/2 watt; carbon   | 1st R-F plate              | RCA                  | P-28166                      |
| 42-2             |   | RESISTOR: Same as 42-1  | 2nd R-F plate              |                      |                              |
| 42-3             |   | RESISTOR: Same as 42-1  | 1st detector plate         |                      |                              |
| 42-4             |   | RESISTOR: Same as 42-1  | 1st I-F screen             |                      |                              |
| 42-5             |   | RESISTOR: Same as 42-1  | 1st I-F plate              |                      |                              |
| 42-6             |   | RESISTOR: Same as 42-1  | Bleeder                    |                      |                              |

## TABLE OF REPLACEABLE PARTS — PART I

MODEL: RADIO RECEIVER BC-348-(\*) OR BC-224-(\*)

| Reference Symbol | Army Stock Number<br>Navy Type Number<br>British Reference Number | Name of Part and Description   | Function                 | Mfr. and Designation                          | Drawing or Specification No. |
|------------------|---|--|--------------------------|---|------------------------------|
| 42-7             |   | RESISTOR: Same as 42-1   | 3rd I-F cathode          |   |                              |
| 42-8             |   | RESISTOR: Same as 42-1 (used only in Radio Receivers BC-348-E, BC-348-M, BC-348-P) | Voltage regulator series |   |                              |
| 43-1             | 3Z6610-49 or<br>3Z6610-57   | RESISTOR: fixed; 10,000 ohms, $\pm 10\%$ ; $\frac{1}{2}$ watt; carbon              | 1st R-F screen           | RCA   | K-850981-74                  |
| 43-2             |   | RESISTOR: Same as 43-1   | 2nd R-F screen           |   |                              |
| 43-3             |   | RESISTOR: Same as 43-1   | 1st detector screen      |   |                              |
| 43-4             |   | RESISTOR: Same as 43-1   | C-W oscillator bleeder   |   |                              |
| 44††             | 3Z6612-1<br>(also shipped as<br>3Z6612-7)                         | RESISTOR: fixed; 12,000 ohms, $\pm 10\%$ ; $\frac{1}{2}$ watt; carbon              | Voltage regulator series | RCA   | K-850981-75                  |
| 45               | 3Z6615-25 or<br>3Z6615-26   | RESISTOR: fixed; 15,000 ohms, $\pm 10\%$ ; $\frac{1}{2}$ watt; carbon              | 1st detector cathode     | RCA   | K-850981-76                  |
| 46               | 3Z6656-1 or<br>3Z6656-3   | RESISTOR: fixed; 56,000 ohms, $\pm 10\%$ ; $\frac{1}{2}$ watt; carbon              | Output loading           | RCA   | K-850981-83                  |
| 47               | 3Z6668 or<br>3Z6668-3   | RESISTOR: fixed; 68,000 ohms, $\pm 10\%$ ; $\frac{1}{2}$ watt; carbon              | C-W oscillator plate     | RCA   | K-850981-84                  |
| 48-1             | 3Z4550 or<br>3Z6700-61  | RESISTOR: fixed; 100,000 ohms, $\pm 10\%$ ; $\frac{1}{2}$ watt; carbon             | 1st R-F grid             | RCA   | K-850981-86                  |
| 48-2             |   | RESISTOR: Same as 48-1   | 2nd R-F grid             |   |                              |
| 48-3             |   | RESISTOR: Same as 48-1   | Oscillator grid          |   |                              |
| 48-4             |   | RESISTOR: Same as 48-1   | Output grid filter       |   |                              |
| 48-5             |   | RESISTOR: Same as 48-1 (used only in Radio Receivers BC-348-E, BC-348-M, BC-348-P) | Bias control             |   |                              |
| 49               | 3Z6718 or<br>3Z6718-3   | RESISTOR: fixed; 180,000 ohms, $\pm 10\%$ ; $\frac{1}{2}$ watt; carbon             | 3rd I-F screen           | RCA   | K-850981-89                  |
| 50-1             | 3Z6747-1 or<br>3Z6747-6   | RESISTOR: fixed; 470,000 ohms, $\pm 10\%$ ; $\frac{1}{2}$ watt; carbon             | Antenna protective       | RCA<br>Centralab type 710<br>or<br>AB type EB | K-850981-94                  |

††Used in Radio Receivers BC-224-E, BC-224-G, BC-224-H, BC-224-L, BC-348-O, BC-348-S.

TABLE OF REPLACEABLE PARTS — PART I

MODEL: RADIO RECEIVER BC-348-(\*) OR BC-224-(\*)

| Reference Symbol | Army Stock Number<br>Navy Type Number<br>British Reference Number        | Name of Part and Description   | Function                          | Mfr. and Designation                          | Drawing or Specification No. |
|------------------|--|--|-----------------------------------|---|------------------------------|
| 50-2             |  | RESISTOR: Same as 50-1   | 1st I-F grid                      |   |                              |
| 50-3             |  | RESISTOR: Same as 50-1   | 2nd I-F grid                      |   |                              |
| 50-4             |  | RESISTOR: Same as 50-1   | C-W oscillator grid               |   |                              |
| 51               | 3Z6756-1 or<br>3Z6756-5  | RESISTOR: 560,000 ohms, $\pm 10\%$ ; 1/2 watt; carbon; insulated   | Output grid                       | RCA<br>Centralab type 710<br>or<br>AB type EB | K-850981-95                  |
| 52               | 3Z6801A5   | RESISTOR: fixed; 1.5 megohms, $\pm 10\%$ ; 1/2 watt; carbon; insulated; axial leads  | AVC diode                         | RCA<br>Centralab type 710<br>or<br>AB type EB | K-850981-100                 |
| 53               | 3Z6722-1 or<br>3Z6722-5  | RESISTOR: fixed; 220,000 ohms, $\pm 10\%$ ; 1/2 watt; carbon; axial leads  | AVC filter                        | RCA<br>Centralab type 710<br>or<br>AB type EB | K-850981-90                  |
| 54†              | 3Z5985<br>(also shipped as<br>3Z6750-5)                                  | RESISTOR: fixed; 0.5 ohm, $\pm 10\%$ ; 1 watt; wire wound; insulated; axial leads  | Filament                          | RCA   | K-845949-32                  |
| 56*              | 3Z6610-11<br>(also shipped as<br>3Z6610-48)                              | RESISTOR: fixed; 10,000 ohms, $\pm 10\%$ ; 1 watt; carbon; insulated; axial leads  | Bleeder                           | RCA   | K-844314-79                  |
| 57*              | 3Z6627-3   | RESISTOR: fixed; 27,000 ohms, $\pm 10\%$ ; 1 watt; carbon; insulated; axial leads  | Voltage regulator series resistor | IRC type BT-1/2                               | K-844314-79                  |
| 58               | 2Z7299M3.5<br>(also shipped as<br>3Z6350-2)                              | RESISTOR: variable; 3500 ohms, $\pm 10\%$ ; 1/10 watt; metallized; carbon  | Noise compensator                 | IRC type CS<br>Curve A                        | K-854157-1                   |
| 59-A             | 2Z7284-8<br>(also shipped as<br>2ZF3634,<br>2C4348H/R1 and<br>2C4224B/6) | POTENTIOMETER: two-section gang; front section 20,000 ohms; rear section 350,000 ohms; power rating .2 watt for each section; carbon; linear taper; secured by hex nut | Volume control for MVC            | IRC type BT-1                                 | M-420382-1                   |
| 59-B             |  | POTENTIOMETER: Same as 59-A  | Volume control for MVC            |   |                              |

† Used only in Radio Receivers BC-224-E, BC-224-G, BC-224-H, BC-224-L.

\* See Part II of this table.



## TABLE OF REPLACEABLE PARTS — PART I

MODEL: RADIO RECEIVER BC-348-(\*) OR BC-224-(\*)

| Reference Symbol | Army Stock Number<br>Navy Type Number<br>British Reference Number   | Name of Part and Description   | Function                            | Mfr. and Designation                          | Drawing or Specification No. |
|------------------|---|--|-------------------------------------|---|------------------------------|
| 60†<br>or<br>60‡ | 3Z7075<br>(also shipped as<br>2C4348H/R2<br>or<br>3Z7200-4<br>(also shipped as<br>2C4348H/R2 and<br>2C4348M/R2) | RESISTOR: 75 ohms, $\pm 10\%$ ; wire wound; open circuit when in a full counter-clockwise position<br><br>RESISTOR: 200 ohms; 4 watts; variable (used only in BC-348-O and BC-348-S) | Dial lamp control                   | RCA   | K-855754-1                   |
| 61               | 3Z6240 or<br>3Z6240-8   | RESISTOR: fixed; 2400 ohms, $\pm 5\%$ ; 1/2 watt; carbon; axial leads  | Output plate                        | RCA   | K-850981-168                 |
| 62               | 3Z6647-1<br>(also shipped as<br>3Z6647-4 or<br>3Z6647-5)  | RESISTOR: fixed; 47,000 ohms, $\pm 10\%$ ; 1/2 watt; insulated; axial leads  | Bleeder                             | RCA<br>Centralab type 710<br>or<br>AB type EB | K-850981-82                  |
| 64*              | 3DK9035-11  | CAPACITOR: fixed; ceramic; 35 mmfd, $\pm 5\%$ ; 500 volts d-c working; axial leads   | Oscillator temperature compensating | RCA   | M-428801-21                  |
| 66*              | 3D9050V-46  | CAPACITOR: adjustable; air; 5 to 50 mmfd; 1 stationary plate, 1 variable plate; pure silver on ceramic; screw-type adjustment  | Oscillator series                   | RCA   | K-871390-1                   |
| 67               | 3DK9750-10<br>(also shipped as<br>3D9750-8)   | CAPACITOR: fixed; 750 mmfd, $\pm 5\%$ ; 500 volts d-c working; silvered mica; low loss; salt water seal; molded bakelite case  | R-F unit paddler                    | RCA   | P-721286-2                   |
| 101-A*           | 2C4348H/C4<br>(also shipped as<br>2C4224B/C5)   | TRANSFORMER ASSEMBLY: audio; consists of 1 audio transformer, 1 audio-frequency choke, 1 capacitor at 50,000 mmfd, 400 volts d-c working   | Output                              | RCA   | K-901387-501                 |
| 101-B*           |   | TRANSFORMER ASSEMBLY: Same as 101-A  | Filter                              |   |                              |
| 101-C*           |   | TRANSFORMER ASSEMBLY: Same as 101-A  | C-W oscillator time constant        |   |                              |
| 102-1            | 2Z5534-B<br>(also shipped as<br>2C4348H/J1<br>2C4348M/J1<br>and 2Z5534)   | JACK: open circuit; single circuit; cadmium plated spring steel contacts; 2 solder lug terminals mounted on rear   | Headphone                           | RCA   | K-830654-1                   |

† Used only in Radio Receivers BC-224-E, BC-224-G, BC-224-H, BC-224-L.

‡ Used only in Radio Receivers BC-348-O, BC-348-S.

\* See Part II of this table.

TABLE OF REPLACEABLE PARTS — PART I

MODEL: RADIO RECEIVER BC-348-(\*) OR BC-224-(\*)

| Reference Symbol | Army Stock Number<br>Navy Type Number<br>British Reference Number | Name of Part and Description  | Function                           | Mfr. and Designation  | Drawing or Specification No. |
|------------------|---|---|------------------------------------|-----------------------|------------------------------|
| 102-2            |   | JACK: Same as 102-1   | Headphone                          |                       |                              |
| 103              | 2J991 or<br>2V991   | TUBE: vacuum; type JAN-991; glow discharge type; minimum starting voltage 87; working voltage 48 to 67 volts; max. peak current 3 milliamperes; continuous operating current 2 milliamperes | Oscillator plate voltage regulator | RCA                   | 991                          |
| 104              | 2Z5927  | LAMP LM-27: bayonet base; 6.3 volts; .25 ampere; type 44  | Dial lamp                          | GE                    | K-854707-1                   |
| 105              | 3Z9692-1561.1   | SWITCH: rotary snap type; SPST; 2 positions; contacts rated 3 amperes at 125 volts  | Crystal filter (on-off)            | AHH                   | K-854320-1                   |
| 105-A            | 6L3506-32.5   | NUT: hexagon; thickness 5/64"; brass, dull nickel finish  | Fastener for ref. 105              | AHH                   | K-866504-1                   |
| 106*             | 3Z9858-1  | SWITCH: lever; DPST; two-position; contacts rated 1 ampere at 250 volts; secured by hex nut threaded to shaft housing   | C-W osc. (on-off)                  |                       |                              |
| 107              | 3Z9825-1<br>(also shipped as<br>2C4224F/S3)                       | SWITCH: rotary; 2-section; 3-position; 2-wafer  | AVC-OFF-MVC                        | Oak Special           | M-420381-1                   |
| 108*             | 2C4224F/S4  | SWITCH: rotary; 2-section; special contact constructions; six-position; contacts silver plated; sections of wax impregnated bakelite  | Antenna band selector              | P. R. Mallory Special | M-422371-1                   |
| 109*             |   | SWITCH: Same as 108   | Antenna band selector              |                       |                              |
| 110*             | 2C4224F/S5  | SWITCH: rotary; 2-section; special contact constructions; 6-position; contacts silver plated; sections of wax impregnated bakelite  | R-F band selector                  | P. R. Mallory Special | RCA<br>M-420372-1            |
| 111*             |   | SWITCH: Same as 110   | R-F band selector                  |                       |                              |
| 112*             |   | SWITCH: Same as 110   | Detector band selector             |                       |                              |
| 113*             |   | SWITCH: Same as 110   | Detector band selector             |                       |                              |
| 114*             | 3Z8190  | SWITCH: rotary; 4-section; 4 circuits; 6 positions; special contact shorting arrangement in sections 3 and 4; silver plated contacts; sections of wax impregnated bakelite                  | Oscillator band selector           | P. R. Mallory Special | RCA<br>M-420371-1            |
| 115*             |   | SWITCH: Same as 114   | Oscillator band selector           |                       |                              |

\* See Part II of this table.

## TABLE OF REPLACEABLE PARTS — PART I

MODEL: RADIO RECEIVER BC-348-(\*) OR BC-224-(\*)

| Reference Symbol   | Army Stock Number<br>Navy Type Number<br>British Reference Number                   | Name of Part and Description   | Function  | Mfr. and Designation  | Drawing or Specification No. |
|--------------------|---|--|---|---|------------------------------|
| 116*               |   | SWITCH: Same as 114  | Oscillator band selector  |   |                              |
| 117*               |   | SWITCH: Same as 114  | Oscillator band selector  |   |                              |
| 118†<br>or<br>118‡ | 3Z1923<br>or<br>3Z1935  | FUSE: FU-23; 10 amperes; 25 volts; cartridge type<br>FUSE: FU-35; 5 amperes; 25 volts  | Primary power fuse  | Littelfuse type 4AG   | K-850339-2                   |
| 119                | 3Z635<br>(also shipped as<br>2C4224F/P1 and<br>2C4224C/B12)                         | BINDING POST: spring type; dimensions 1 <sup>21</sup> / <sub>32</sub> " length by 1/2" diameter; brass shank with bakelite covered top; single hole mounting thru hole 5/32" dia; letter "A" stamped on top    | Antenna connector   | American Radio Hardware order under RCA Dwg. No. K-854468-4 | RCA<br>K-854468-4            |
| 120                | 3Z635-1<br>(also shipped as<br>2C4224F/P2 and<br>2C4224C/B13)                       | BINDING POST: spring type; dimensions, 2 <sup>1</sup> / <sub>32</sub> " length by 1/2" diameter; brass shank with bakelite covered top; single hole mounting through hole 5/32" dia; letter "G" stamped on top | Ground connector  | American Radio Hardware order under RCA Dwg. No. K-854468-5 | RCA<br>K-854468-5            |
| 201                | 6Z5018<br>(also shipped as<br>2C4348H/H1 and<br>2C4348M/H1 and<br>2C4224B/H1)       | HANDLE: brass 1/8" thick; U-shaped; 2 mounting holes 0.203" dia mounting centers 3" apart, dull black nickel finish  | Front panel   | National Lock Cat. #0130 modified by RCA                    | RCA<br>K-854382-1            |
| 202                | 2Z6190<br>(also shipped as<br>2C4348H/L1 and<br>2C4224B/L10)                        | LEVER: control type; die cast aluminum alloy; single fin protrudes from bar to form handle; mounts on 1/4" shaft; secured by single set screw  | AVC-MVC switch lever  | RCA special   | RCA<br>K-854387-1            |
| 202-A              | 6L7960-3  | SCREW: Set; #8-32 thread; 1/4" long; steel; cup point on end; hollow hex head machined for #6 Allen wrench   | Set screw for knob #202   | Allen   | RCA<br>K-843365-13           |
| 203                | 2Z5748.1<br>(also shipped as<br>2C4348H/K2,<br>2Z5748.2,<br>2Z5839 and<br>2Z5841-4) | KNOB: control type; die cast aluminum alloy; knurled periphery; mounts on 1/4" shaft secured by single set screw   | Control knob for antenna alignment capacitor, crystal switch dial lamp intensity control and volume control | RCA<br>K-854352-1   | RCA<br>K-854352-1            |
| 203-A              | 6L7960-2  | SCREW: Set; #8-32 thread; 3/16" long; steel; cup point on end; hollow hex head machined for #6 Allen wrench  | Set screw for knob #203   | Allen   | RCA<br>K-843365-12           |

† Used only in Radio Receivers BC-224-E, BC-224-G, BC-224-H, BC-224-L.

‡ Used only in Radio Receivers BC-348-O, BC-348-S.

\* See Part II of this table.

TABLE OF REPLACEABLE PARTS — PART I

MODEL: RADIO RECEIVER BC-348.(\*) OR BC-224.(\*)

| Reference Symbol | Army Stock Number<br>Navy Type Number<br>British Reference Number        | Name of Part and Description   | Function                         | Mfr. and Designation         | Drawing or Specification No. |
|------------------|--|--|----------------------------------|------------------------------|------------------------------|
| 204              | 2Z5748.2<br>(also shipped as<br>2C4348H/K3,<br>2Z5842-1 and<br>2Z5841-6) | <p>KNOB ASSEMBLY: control type; die cast aluminum alloy; knurled periphery; mounts on 1/4" shaft; secured by 2 set screws; overall dimensions 9/16" thick by 1/4" diameter</p> <p>SCREW: Same as 203A</p> <p>SCREW: thumb; #6-32 thread; 3/32" long; brass; straight knurled head measuring 7/16" diameter; dull black nickel finish</p> | C-W oscillator frequency control | RCA<br>K-854352-3            | RCA<br>K-854352-3            |
| 204-A            |  | SCREW: Same as 203A  | Set screw for knob #204          |                              |                              |
| 205              | 6L7986-16.8  | SCREW: thumb; #6-32 thread; 3/32" long; brass; straight knurled head measuring 7/16" diameter; dull black nickel finish  | Secures dial escutcheon          | RCA<br>K-833028-2            | RCA<br>K-833028-2            |
| 206              | 2Z5748.3   | KNOB: control type; die cast aluminum alloy; six fins protruding from face of knob; mounts on 1/4" shaft; secured by single set screw; overall dimensions 1 1/16" thick by 1 3/4" diameter   | Control knob for band switch     | RCA<br>K-854417-1            | RCA<br>K-854417-1            |
| 206-A            |  | SCREW: Same as 202-A   | Set screw for knob #206          |                              |                              |
| 207              | 2Z5748   | KNOB ASSEMBLY: consists of<br>KNOB: control type; aluminum alloy construction; overall dimensions 3/4" thick by 2 1/8" diameter<br>HANDLE: crank type; duraluminum construction<br>TUBING SLEEVE: laminated insulation material; slides over shaft to insulate crank handle from tuning shaft.   | Tuning control                   | RCA<br>Special               | RCA<br>K-833518-504          |
| 208              | 2Z7093-2   | COVER PLATE: aluminum; black wrinkle finish; overall dimensions 6 1/16" x 2.187" x 0.064"; six mounting holes along outer edges of plate; size of holes 0.154" diameter  | Covers tube shelf across cutout  | RCA<br>K-854427-1<br>Special | RCA<br>K-854427-1            |
| 209              | 2C4224B/S1   | SCREW: machine; #8-32 thread; 7/16" long; stainless steel; screwdriver slotted head measuring 1/8" width by 3/8" diameter  | Used on main tuning gang         | RCA<br>K-837861-1            | RCA<br>K-837861-1            |
| 210              | 6L6832-9.7A  | SCREW: machine; #8-32 thread; 1 3/16" long; brass nickel finish; screwdriver slotted head measuring 7/16" diameter   | Dynamotor mounting               | RCA<br>K-850612-3            | RCA<br>K-850612-3            |
| 211              | 2C4224B/S3   | SCREW: machine; #8-32 thread; 1 3/16" long; stainless steel; screwdriver slotted round head measuring 0.298" diameter  | Dynamotor mounting               | RCA<br>K-850626-1            | RCA<br>K-850626-1            |
| 212              | 2C4224B/S4   | SCREW: machine; #10-32 thread; 3/4" long; stainless steel; hex head measuring 3/8" across flats; screwdriver slot  | Secures dial assembly to chassis | RCA<br>K-854496-1            | RCA<br>K-854496-1            |

## TABLE OF REPLACEABLE PARTS — PART I

MODEL: RADIO RECEIVER BC-348-(\*) OR BC-224-(\*)

| Reference Symbol   | Army Stock Number<br>Navy Type Number<br>British Reference Number                           | Name of Part and Description   | Function                                | Mfr. and Designation  | Drawing or Specification No. |
|--------------------|---|--|---|---|------------------------------|
| 213                | 6L6440-4.6A   | SCREW: machine #4-40 thread; $\frac{3}{16}$ " long; stainless steel  | Secures plug to mounting plate          | RCA<br>K-833571-1   | RCA<br>K-833571-1            |
| 214                | 2C4224B/20<br>(also shipped as<br>2C4348H/C14 and<br>2C4348M/C4)                            | COVER ASSEMBLY: consists of<br>COVER: panel type; 2 aluminum plates spot-welded together; thickness of each plate 0.032".<br>BUSHING: brass, staked to cover; $\frac{3}{8}$ " thick x $\frac{5}{16}$ " diameter<br>LOCK: thumbscrew type; fits through brass bushing in cover and serves to lock panel in place. Assembly $1\frac{3}{16}$ " x $2\frac{1}{4}$ " x $2\frac{7}{32}$ " overall | Cover for oscillator box                | RCA<br>K-854451-501<br>Special                                | RCA<br>K-854451-501          |
| 215                | 2Z11100<br>(also shipped as<br>2C4348H/S15 and<br>2C4348M/S3)                               | SHIELD: tube; aluminum; material 0.015" thick; $\frac{3}{4}$ " long x $1\frac{1}{16}$ " diameter; buffed finish  | Shield for tube VT-70                   | Aluminum Goods Co.<br>order under RCA<br>dwg. #K-854420-1     | RCA<br>K-854420-1            |
| 216†<br>or<br>216‡ | 3Z3285-5<br>or<br>3Z2909<br>(also shipped as<br>2C4348H/C5 and<br>2C4348M/F2 and<br>3Z2910) | FUSE MOUNTING: bakelite composition base; 2 cadmium plated phosphor bronze fuse clips; $\frac{2}{8}$ " x $\frac{1}{2}$ " x $\frac{5}{16}$ " overall; mounting centers $2\frac{1}{2}$ " apart<br>FUSE CLIP: fuse clip; board assembly; primary supply fuse; stamped FU-35   | Mounting for primary supply fuse        | RCA<br>K-854457-501   | RCA<br>K-854457-501          |
| 217                | 2Z8670.3  | SOCKET: tube; wax impregnated bakelite; octal base; riveting plate mounting; mounting centers $1\frac{1}{2}$ " apart   | For tubes VT-91, VT-86,<br>VT-93, VT-65 | A. W. Franklin<br>order under RCA<br>dwg. No. K-82747-15      | RCA<br>K-82747-15            |
| 218                | 2C4224B/21  | SOCKET: bayonet type; polystyrene and bakelite material used in contact insulator; two insert type contacts; secured to panel with two machine screws; mounting centers, $1\frac{3}{16}$ " apart   | Located in voltage regulator unit       | L. C. Herse Special<br>order under RCA<br>Dwg. No. K-837884-2 | RCA<br>K-837884-2            |
| 219                | 2Z8688-1  | SOCKET: tube; wax impregnated bakelite; seven receptacle contacts; riveting plate mounting; mounting centers, $\frac{13}{8}$ " apart   | Socket for tube VT-48                   | RCA<br>K-854466-1   | RCA<br>K-854466-1            |
| 220                | 2Z8669  | SOCKET: tube; wax impregnated bakelite; seven receptacle contacts; riveting plate mounting; mounting centers $\frac{13}{8}$ " apart  | Socket for tube VT-70                   | RCA<br>K-854466-2   | RCA<br>K-854466-2            |

† Used only in Radio Receivers BC-224-E, BC-224-G, BC-224-H, BC-224-L.

‡ Used only in Radio Receivers BC-348-O, BC-348-S.

TABLE OF REPLACEABLE PARTS — PART I

MODEL: RADIO RECEIVER BC-348-(\*) OR BC-224-(\*)

| Reference Symbol | Army Stock Number<br>Navy Type Number<br>British Reference Number | Name of Part and Description   | Function             | Mfr. and Designation           | Drawing or Specification No. |
|------------------|---|--|----------------------|--------------------------------|------------------------------|
| 222              | 2Z3084  | PLUG: straight; eight pin contacts; nickel plated; contact size number 18; overall dimensions $2\frac{1}{8}$ " x $1\frac{1}{16}$ " x $1\frac{29}{32}$ "  | Power connector plug | RCA<br>K-854447-502<br>Special | RCA<br>K-854447-502          |
| 251*             | 2C4224B/9   | TRANSFORMER ASSEMBLY: i-f consists of TRANSFORMER: i-f; 915 kc; two windings; each winding made up of 4 pie sections; primary 23 turns per section or 92 turns per winding; secondary 23 turns per section or 92 turns per winding; number 41 enameled double silk-covered wire; primary inductance 69 microhenries; primary Q101 at 1500 kc; secondary Q98 at 1500 kc; universal wound; distance between windings $\frac{3}{8}$ "; wound on laminated coil form $\frac{1}{2}$ " diameter; entire coil wax impregnated; adjustable iron core in both windings;<br>CAPACITOR: three fixed types; entire unit factory assembled in metal case; overall dimensions $4\frac{1}{2}$ " x $1\frac{1}{16}$ " x $1\frac{1}{8}$ "; mounting centers $1\frac{3}{8}$ " apart                         | 1st I-F transformer  | RCA<br>K-720237-501            | RCA<br>P-720237-501          |
| 252*             | 2C4224B/10  | TRANSFORMER ASSEMBLY: i-f consists of TRANSFORMER: i-f; 915 kc; two windings; each winding made up of 4 pie sections; primary 23 turns per section or 92 turns per winding; secondary 23 turns per section or 92 turns per winding; number 41 enameled double silk-covered wire; primary inductance 69 microhenries; secondary inductance 69 microhenries; primary Q101 at 1500 kc; secondary Q101 at 1500 kc; universal wound; distance between windings $1\frac{1}{32}$ "; wound on laminated coil form $\frac{1}{2}$ " diam; entire coil wax impregnated; adjustable iron core in both windings;<br>CAPACITOR: two fixed types; entire unit factory assembled in metal case; $4\frac{1}{2}$ " x $1\frac{1}{16}$ " x $1\frac{1}{8}$ " overall; mounting centers $1\frac{3}{8}$ " apart | 2nd I-F transformer  | RCA<br>P-720237-502            | RCA<br>P-720237-502          |
| 253*             | 2C4224B/11  | TRANSFORMER ASSEMBLY: i-f consists of TRANSFORMER: i-f; 915 kc; two windings; each winding made up of 4 pie sections; primary 23 turns per section or 92 turns per winding; secondary 23 turns per section or 92 turns per winding; number 41 enameled double silk-covered wire; primary inductance 69 microhenries; secondary inductance 69 microhenries; primary Q101 at 1500 kc; secondary Q101 at 1500 kc; universal wound; distance between windings $1\frac{1}{32}$ "; wound on laminated coil form $\frac{1}{2}$ " diam; entire coil wax impregnated; adjustable iron core in both windings;<br>CAPACITOR: two fixed types; entire unit factory assembled in metal case; $4\frac{1}{2}$ " x $1\frac{1}{16}$ " x $1\frac{1}{8}$ " overall; mounting centers $1\frac{3}{8}$ " apart | 3rd I-F transformer  | RCA<br>P-720237-503            | RCA<br>P-720237-503          |

\* See Part II of this table.

## TABLE OF REPLACEABLE PARTS — PART I

MODEL: RADIO RECEIVER BC-348-(\*) OR BC-224-(\*)

| Reference Symbol | Army Stock Number<br>Navy Type Number<br>British Reference Number | Name of Part and Description   | Function                   | Mfr. and Designation | Drawing or Specification No. |
|------------------|---|--|----------------------------|----------------------|------------------------------|
| 254*             | 2C4224B/13  | <p>eled double silk-covered wire; primary inductance 69 microhenries; secondary inductance 69 microhenries; primary Q101 at 1500 kc; secondary Q101 at 1500 kc; universal wound; distance between winding <math>1\frac{7}{32}</math>"; wound on laminated coil form <math>\frac{1}{2}</math>" diameter; entire coil wax impregnated; adjustable iron core in both windings;</p> <p>CAPACITORS: two fixed types; entire unit factory-assembled in metal case; overall dimensions <math>4\frac{1}{2}</math>" x <math>1\frac{1}{16}</math>" x <math>1\frac{3}{8}</math>"; mounting centers <math>1\frac{3}{8}</math>" apart</p> <p>TRANSFORMER ASSEMBLY: i-f consists of TRANSFORMER: i-f; 915 kc; two windings; each winding is made of 4 pie sections; primary 50 turns per section or 200 turns per winding; secondary 30 turns per section or 120 turns per winding; number 41 enameled double silk-covered wire; primary inductance 340 microhenries; secondary inductance 122 microhenries; primary Q126 at 700 kc; secondary Q102 at 1200 kc; universal wound; distance between windings <math>\frac{9}{16}</math>"; wound on laminated coil form <math>\frac{1}{2}</math>" diameter; entire coil wax impregnated; adjustable iron core in both windings;</p> <p>CAPACITORS: two fixed types; entire unit factory-assembled in metal case; overall dimensions <math>4\frac{1}{2}</math>" x <math>1\frac{1}{16}</math>" x <math>1\frac{5}{8}</math>"; mounting centers <math>1\frac{3}{8}</math>" apart</p> | 4th I-F transformer        | RCA<br>P-720237-504  | RCA<br>P-720237-504          |
| 255*             | 2Z3419.1  | CRYSTAL FILTER ASSEMBLY: consists of one 915 kc crystal; one crystal holder; one transformer; one adjustable capacitor; one fixed capacitor; 1 SPST switch; factory-assembled in metal case; overall dimensions $4\frac{3}{8}$ " x $1\frac{7}{8}$ " x $1\frac{3}{4}$ "; secured by one spade bolt at each side of case; distance between mounting centers $1\frac{3}{8}$ "   | Crystal selectivity filter | RCA<br>M-420376-501  | RCA<br>M-420376-501          |
| 256*             | 2C4224H/C2  | TRANSFORMER ASSEMBLY: c-w oscillator; 915 kc; consists of one 3-section oscillator transformer; two fixed capacitors; one variable capacitor; one resistor; factory-assembled in metal case; overall dimensions $4\frac{1}{2}$ " x $1\frac{1}{16}$ " x $1\frac{5}{8}$ "; secured by one spade bolt at each end of case; distance between mounting centers $1\frac{3}{8}$ "   | C-W oscillator transformer | RCA<br>M-420377-501  | RCA<br>M-420377-501          |

\* See Part II of this table.

TABLE OF REPLACEABLE PARTS — PART I

MODEL: RADIO RECEIVER BC-348-(\*) OR BC-224-(\*)

| Reference Symbol | Army Stock Number<br>Navy Type Number<br>British Reference Number                       | Name of Part and Description   | Function                                     | Mfr. and Designation | Drawing or Specification No. |
|------------------|---|--|--|----------------------|------------------------------|
| 257*             | 2C4224H/C5  | COIL ASSEMBLY: antenna; consists of 5 adjustable capacitors; one fixed capacitor; 6 trimmers; one fixed resistor; six coils; one two-section switch; housed in aluminum case; overall dimensions $7\frac{3}{8}$ " x 2" x $5\frac{5}{8}$ "; entire assembly put together at factory   | Couples antenna to 1st R-F                   | RCA<br>P-721189-501  | RCA<br>P-721189-501          |
| 258*             | 2C4224H/C1  | TRANSFORMER ASSEMBLY: r-f; designed for BC-224; consists of six r-f transformers; fourteen capacitors; two resistors; one two-section rotary switch; factory-assembled in metal case; overall dimensions $7\frac{3}{8}$ " x 2" x $5\frac{5}{8}$ "; two mounting holes at each end of case; distance between mounting centers 5.312"  | 1st R-F transformer                          | RCA<br>P-721189-501  | RCA<br>P-721189-501          |
| 259*             | 2C4224H/C4<br>(also shipped as<br>2C4224B/C4)   | TRANSFORMER ASSEMBLY: detector; consists of six r-f transformers; twelve capacitors; one resistor; two switches; factory-assembled in metal case; overall dimensions $7\frac{3}{8}$ " x 2" x $5\frac{5}{8}$ "; two mounting holes at each end of case; distance between mounting centers 5.312"  | 2nd R-F transformer and detector transformer | RCA<br>P-721189-502  | RCA<br>P-721189-502          |
| 260*             | 2C4224H/C3  | TRANSFORMER ASSEMBLY: oscillator; consists of six oscillator transformers; twenty capacitors; three resistors; one four-section rotary switch; factory-assembled in metal case; overall dimensions $7\frac{3}{8}$ " x 2" x $5\frac{5}{8}$ "; two mounting holes at each end of case; distance between mounting centers $5\frac{3}{4}$ "  | Heterodyne oscillator transformer            | RCA<br>P-721187-501  | RCA<br>P-721187-501          |
| 300†             | 3H1624-( )  | DYNAMOTOR: 13.8 volts; 2.45 amperes; 220 volts; 0.070 amperes; 4400 rpm  | Motor generator                              |                      |                              |
| 301*             | 3C370-1<br>(also shipped as<br>2C4348M/C2<br>2C4348H/C2<br>2C4224B/7 and<br>3H1628E/C1) | COIL: choke; filter 300 turns; #30 AWG enameled silk-covered; universal wound 4 crosses per turn; wound on maple or birch form measuring $\frac{7}{16}$ " long x $\frac{1}{2}$ " diameter; base constructed of laminated insulation cloth and supports two solder lug terminals; overall dimensions $1\frac{1}{16}$ " x $1\frac{3}{16}$ " x $1\frac{3}{16}$ "; wax impregnated                               | Filter choke for dynamotor                   | RCA<br>K-850610-501  | RCA<br>K-850610-501          |
| 302*             | 3C370-2<br>(also shipped as<br>2C4224B/8<br>2C4348M/C1<br>2C4348H/C1 and<br>3H1628E/C2) | COIL: choke; r-f; 75 turns; #15 AWG enameled; layer wound; wound on maple or birch form measuring $\frac{3}{4}$ " long by $\frac{1}{2}$ " diameter; inductance 83 microhenries; d-c resistance 0.006 ohms; $\pm 5\%$ —10%; overall dimensions $\frac{3}{4}$ " length x $1\frac{1}{16}$ " diam; mounts by a $\frac{1}{4}$ " bolt threaded into end of coil form; solder lug terminal at each end of coil form | R-F choke for dynamotor                      | RCA<br>M-66347-501   | RCA<br>M-66347-501           |

† Used only in Radio Receivers BC-224-E, BC-224-G, BC-224-H, BC-224-L.

\* See Part II of this table.



## TABLE OF REPLACEABLE PARTS — PART I

MODEL: RADIO RECEIVER BC-348-(\*) OR BC-224-(\*)

| Reference Symbol | Army Stock Number<br>Navy Type Number<br>British Reference Number  | Name of Part and Description   | Function                                  | Mfr. and Designation | Drawing or Specification No. |
|------------------|--|--|---|----------------------|------------------------------|
| 303-A            | 3DA500-43<br>(also shipped as<br>3DA500-62)  | CAPACITOR: fixed; oil; two-section; 500,000—50,000 micromicrofarads; 250 volts d-c working; tolerance $\pm 20\%$ ; metal case; overall dimensions $2\frac{3}{8}$ " x $1\frac{1}{16}$ " x $1\frac{1}{4}$ "; 2 solder lug terminals located on one end of case; no mounting bracket<br><br>CAPACITOR: same as 303-A  | Filter for dynamotor                      | RCA<br>M-420505-3    | RCA<br>M-420505-3            |
| 303-B            | 3DB1.361   | CAPACITOR: fixed; oil; 1 microfarad; 400 volts d-c working; tolerance $\pm 20\%$ ; metal case; overall dimensions $2\frac{3}{8}$ " x $1\frac{1}{16}$ " x $1\frac{1}{4}$ "; two solder lug terminals located on one end of case; no mounting bracket  | Filter for dynamotor                      | RCA<br>M-420505-4    | RCA<br>M-420505-4            |
| 306†             | 3H1624F/A1<br>(also shipped as<br>3H1624H/A1 and<br>3H1624H/A2)<br>3H1628H/A1<br>(also shipped as<br>3H1628M/A1) | ARMATURE ASSEMBLY: complete with bearings mounted; commutator dimensions $\frac{7}{16}$ " length x 0.968" diameter; distance between bearing shoulders $4\frac{3}{16}$ "; overall dimensions $5\frac{1}{16}$ " length x 1.903" diameter; input 13.8 volts at 2.45 amperes; output 220 volts at 70 milliamperes; operating speed 4400 rpm                 | Dynamotor armature                        | Eicor<br>5-1020-A    | RCA<br>K-854705-1            |
| 307              | 3H1624F/B1   | BEARING: ball; hardened steel; overall dimensions 0.406" length by 0.748" diameter; machined to fit 0.2362" shaft; part of dynamotor   | Dynamotor armature bearing                | Eicor<br>BRG-103     | RCA<br>K-854705-2            |
| 308              | 3H1624F/B3<br>(also shipped as<br>3H1628M/B4 and<br>3H1628E/B2)  | BRUSH ASSEMBLY: consists of<br>BRUSH: high voltage; dimensions $\frac{9}{16}$ " x 0.275" x 0.125"; chamfer $\frac{1}{64}$ " x 45°; marked positive (+);<br>SPRING: stainless steel; $1\frac{3}{32}$ " length x 0.2" diam;<br>SHUNT: two strands of copper wire, 264 circular mils; CAP: tinned; identified by "Part No. 101" stamped on side             | Positive high voltage brush for dynamotor | Eicor<br>2-1022A     | RCA<br>K-854705-3            |
| 309              | 3H1624F/B4<br>(also shipped as<br>3H1628M/B4.1 and<br>3H1628E/B3)  | BRUSH ASSEMBLY: consists of<br>BRUSH: high voltage; dimensions $\frac{9}{16}$ " x 0.275" x 0.125"; chamfer $\frac{1}{64}$ " x 45°; marked negative (-);<br>SPRING: stainless steel; dimensions $1\frac{3}{32}$ " length by 0.2" diam;<br>SHUNT: two strands of copper wire; 264 circular mils; CAP: tinned; identified by "Part No. 114" stamped on side | Negative high voltage brush for dynamotor | Eicor<br>2-1023A     | RCA<br>K-854705-4            |

† Used only in Radio Receivers BC-224-E, BC-224-G, BC-224-H, BC-224-L.

‡ Used only in Radio Receivers BC-348-O, BC-348-S.

TABLE OF REPLACEABLE PARTS — PART I

MODEL: RADIO RECEIVER BC-348-(\*) OR BC-224-(\*)

| Reference Symbol | Army Stock Number<br>Navy Type Number<br>British Reference Number | Name of Part and Description   | Function                                 | Mfr. and Designation | Drawing or Specification No. |
|------------------|---|--|--|----------------------|------------------------------|
| 310*             | 3H1624F/B5<br>(also shipped as<br>3H1624B/3.1 and<br>3H1624B/3)   | BRUSH ASSEMBLY: consists of<br>BRUSH: low voltage; dimensions $\frac{5}{8}$ " x 0.306" x 0.187"; chamfer $\frac{1}{64}$ " by 45°; marked positive (+);<br>SPRING: stainless steel; dimensions $1\frac{1}{32}$ " length by 0.23" diam;<br>SHUNT: four strands of copper wire, 528 circular mils;<br>CAP: tinned; identified by "Part No. 204" stamped on side | Positive low voltage for dynamotor       | Eicor<br>2-1020A     | RCA<br>K-854705-5            |
| 311*             | 3H1624F/B6<br>(also shipped as<br>3H1624B/3.1 and<br>3H1624B/3)   | BRUSH ASSEMBLY: consists of<br>BRUSH: low voltage; dimensions $\frac{5}{8}$ " x 0.306" x 0.187"; chamfer $\frac{1}{64}$ " by 45°; marked negative (-);<br>SPRING: stainless steel; dimensions $1\frac{1}{32}$ " length x 0.23" diam;<br>SHUNT: four strands of copper wire; 528 circular mils;<br>CAP: tinned; identified by "Part No. 205" stamped on side  | Negative low voltage brush for dynamotor | Eicor<br>2-1021A     | RCA<br>K-854705-6            |
| 510**            | 3H1628-( )  | DYNAMOTOR: 28 volts; 1.23 amperes; 220 volts; 0.070 amperes; 4400 rpm  | Motor generator                          |                      |                              |

\* See Part II of this table.

\*\* Used only in Radio Receivers BC-348-E, BC-348-M, BC-348-O, BC-348-P, BC-348-S

## TABLE OF REPLACEABLE PARTS — PART II

MODEL: RADIO RECEIVERS BC-348-E, BC-348-M, BC-348-P ONLY

| Reference Symbol | Army Stock Number<br>Navy Type Number<br>British Reference Number | Name of Part and Description   | Function                            | Mfr. and Designation  | Drawing or Specification No. |
|------------------|---|--|-------------------------------------|---|------------------------------|
| 11-1             | 3DA10-44<br>(also shipped as<br>3DA10-95)                         | CAPACITOR: fixed; mica; 10,000 mmfd; 300 volts d-c working, $\pm 10\%$ ; molded bakelite case; dimensions 1" length, $\frac{5}{8}$ " wide, $\frac{3}{16}$ " thick; axial leads               | Heterodyne oscillator plate by-pass | Cornell-Dubilier Micamold 340 Radio Corp.                             | Stromberg-Carlson D-3682     |
| 11-2             |   | CAPACITOR: same as 11-1  | 1st detector cathode by-pass        |   |                              |
| 12               | 3DA5-18<br>(also shipped as<br>3DF2041)                           | CAPACITOR: fixed; 5000 mmfd, $\pm 10\%$ ; 300 volts d-c working; silver mica; low loss molded bakelite case; dimensions $\frac{3}{4}$ " x $\frac{3}{4}$ " x $\frac{1}{4}$ "; axial leads     | Audio transformer secondary by-pass | Cornell-Dubilier type IR  | Stromberg-Carlson D-3932     |
| 13               | 3D9375  | CAPACITOR: fixed; 375 mmfd, $\pm 1.5\%$ ; 500 volts d-c working; silver mica; low loss molded bakelite case; $\frac{3}{4}$ " x $\frac{3}{4}$ " x $\frac{1}{4}$ "; axial leads                | Oscillator series                   | Cornell-Dubilier type 5R<br>Aerovox type 1464<br>Erie Resistor type K | Stromberg-Carlson D-4383     |
| 14               | 3DA2.240  | CAPACITOR: fixed; 2240 mmfd, $\pm 5\%$ ; 500 volts d-c working; silver mica; low loss molded bakelite case; dimensions $\frac{3}{4}$ " x $\frac{3}{4}$ " x $\frac{1}{4}$ "; axial leads      | Oscillator series                   | Cornell-Dubilier type IR<br>Aerovox type 1464                         | Stromberg-Carlson D-3564     |
| 17               | 3D9147  | CAPACITOR: fixed; 147 mmfd, $\pm 1\%$ ; 500 volts d-c working; silver mica; low loss molded bakelite case; dimensions $1\frac{1}{16}$ " x $\frac{7}{16}$ " x $\frac{3}{16}$ "; axial leads   | Oscillator series                   | Cornell-Dubilier type 5R  |                              |
| 23               | 3D9168  | CAPACITOR: fixed; 168 mmfd, $\pm 1.2\%$ ; 500 volts d-c working; silver mica; low loss molded bakelite case; dimensions $1\frac{1}{16}$ " x $\frac{7}{16}$ " x $\frac{3}{16}$ "; axial leads | Oscillator series                   | Cornell-Dubilier type 5R<br>Erie Resistor type K                      | Stromberg-Carlson D-4372     |
| 25               | 3D9025-30   | CAPACITOR: fixed; 25 mmfd, $\pm 5\%$ ; 500 volts d-c working; silver mica; low loss molded bakelite case; dimensions $1\frac{1}{16}$ " x $\frac{7}{16}$ " x $\frac{3}{16}$ "; axial leads    | Antenna unit paddler                | Cornell-Dubilier type 5R<br>Erie K                                    | Stromberg-Carlson D-4398     |
| 27               | 3D9134  | CAPACITOR: fixed; 134 mmfd; $\pm 1\%$ ; 500 volts d-c working; silver mica; low loss molded bakelite case; dimensions $1\frac{1}{16}$ " x $\frac{3}{16}$ " x $\frac{7}{16}$ "; axial leads   | Heterodyne oscillator               | Cornell-Dubilier type 5R<br>Erie Resistor type K                      | Stromberg-Carlson D-4357     |
| 29-1             | 3D9460  | CAPACITOR: fixed; 460 mmfd; $\pm 2\%$ ; 500 volts d-c working; silver mica; low loss molded bakelite case; dimensions $1\frac{1}{16}$ " x $\frac{7}{16}$ " x $\frac{3}{16}$ "; axial leads   | Antenna unit padding                | Cornell-Dubilier Corp.<br>type 5R<br>Erie Resistor type K             | Stromberg-Carlson D-4371     |
| 29-2             |   | CAPACITOR: same as 29-1  | R-F unit padding                    |   |                              |
| 29-3             |   | CAPACITOR: same as 29-1  | 1st detector unit                   |   |                              |

TABLE OF REPLACEABLE PARTS — PART II

MODEL: RADIO RECEIVERS BC-348-E, BC-348-M, BC-348-P ONLY

| Reference Symbol | Army Stock Number<br>Navy Type Number<br>British Reference Number | Name of Part and Description  | Function                            | Mfr. and Designation   | Drawing or Specification No. |
|------------------|---|---|-------------------------------------|--|------------------------------|
| 33-1             | 3D9050-51   | CAPACITOR: fixed; 50 mmfd, $\pm 5\%$ ; 500 volts d-c working; silver mica; low loss molded bakelite case; dimensions $1\frac{1}{16}$ " x $\frac{7}{16}$ " x $\frac{3}{16}$ "; axial leads   | Antenna unit padder                 | Cornell-Dubilier type 5RS<br>Aerovox 1469  | Stromberg-Carlson            |
| 33-2             |   | CAPACITOR: same as 33-1   | 2nd R-F padder                      |  |                              |
| 33-3             |   | CAPACITOR: same as 33-1   | 1st detector padder                 |  |                              |
| 36               | 3D9027-1<br>(also shipped as 3DF8018)                             | CAPACITOR: fixed; 27 mmfd, $\pm 2.5\%$ ; 500 volts d-c working; ceramic; insulated; axial leads; dimensions $\frac{7}{16}$ " long; $\frac{7}{32}$ " diameter  | Oscillator temperature compensating | Erie Resistor type N750K   | Stromberg-Carlson D-4055     |
| 56               | 3Z6610-59   | RESISTOR: fixed; 10,000 ohms, $\pm 10\%$ ; 1 watt; carbon insulated; dimensions $\frac{9}{16}$ " long x $\frac{1}{32}$ " diameter; axial leads  | Bleeder                             | Allen-Bradley Co. type GB  | Stromberg-Carlson P-30417    |
| 57               | 3Z6627-8  | RESISTOR: fixed; 27,000 ohms, $\pm 10\%$ ; 1 watt; carbon insulated; dimensions $\frac{9}{16}$ " x $\frac{7}{32}$ " diameter; axial leads   | Voltage regulator series resistor   | Allen-Bradley Co. type GB  | Stromberg-Carlson P-34578    |
| 64               | 3D9035-3  | CAPACITOR: fixed; 35 mmfd, $\pm 2.5\%$ ; 500 volts d-c working; silver mica; low loss molded bakelite case; dimensions $1\frac{1}{16}$ " x $\frac{7}{16}$ " x $\frac{3}{16}$ "; axial leads   | Oscillator unit padder              | Cornell-Dubilier type 5R   | Stromberg-Carlson D-4380     |
| 101-A            | 2C4348M/T2  | TRANSFORMER AUDIO ASSEMBLY: primary 3000 turns #38 enameled wire; primary impedance 4300 ohms at 60 cps a.c. 0.018 amps d.c.; secondary 1090 turns #38 enameled wire; core size $\frac{5}{8}$ " x $\frac{5}{8}$ "; turn ratio $2\frac{3}{4}$ to 1; secondary 4000 ohms; tapped at 300 ohms; reactor; 2500 turns #35 enameled wire; $\frac{5}{8}$ " x 1" core; d-c resistance 300 ohms; impedance at 60 cps a.c. with 65 mils d.c.; 2250 ohms min.; 0.015 mfd; solder lugs on side; all terminals marked; diagram on top; hermetically sealed steel case; overall dimensions 4" high, $1\frac{13}{16}$ " wide x 3" front to back, mounting centers $1\frac{1}{2}$ " x $1\frac{1}{16}$ ". | Output                              | Chicago Transformer Co. special<br>Standard Transformer Co. special<br>Acme Electric Co. special | Stromberg-Carlson D-3560     |
| 101-B            |   | TRANSFORMER AUDIO ASSEMBLY: same as 101-A   | Filter                              |  |                              |
| 101-C            |   | TRANSFORMER AUDIO ASSEMBLY: same as 101-A   | C-W oscillator time constant        |  |                              |
| 106              | 3Z9858-1  | SWITCH: toggle; DPST, 3 amps; 125 volts d.c.; 1 amp, 250 volts d.c.; silver-plated contacts and terminals, 2 at top and 2 at bottom; $2\frac{1}{32}$ " deep, $1\frac{3}{4}$ " high (including terminals), $1\frac{1}{16}$ " thick; $1\frac{5}{32}$ "-32 thread bushing $\frac{1}{4}$ " long   | C-W oscillator (OFF-ON)             | Arrow Hart & Hege-<br>man Co. 81009  | Stromberg-Carlson D-3734     |

## TABLE OF REPLACEABLE PARTS — PART II

MODEL: RADIO RECEIVERS BC-348-E, BC-348-M, BC-348-P ONLY

| Reference Symbol | Army Stock Number<br>Navy Type Number<br>British Reference Number | Name of Part and Description  | Function                    | Mfr. and Designation                           | Drawing or Specification No. |
|------------------|---|---|-----------------------------|--|------------------------------|
| 108              | 3Z9693-2  | SWITCH ASSEMBLY: rotary; 2-section; 6-position; 2-wafer, laminated bakelite wafers; contacts and terminals silver-plated; shorting type dimensions (over-all) length $1\frac{13}{16}$ " height $1\frac{23}{32}$ " width $1\frac{35}{64}$ " mounting centers 1.562"  | Band switch antenna unit    | P. R. Mallory<br>RO-216136                     | Stromberg-Carlson<br>D-3489  |
| 109              |   | SWITCH ASSEMBLY: same as 108  | Band switch antenna unit    |  |                              |
| 110              |   | SWITCH ASSEMBLY: same as 108  | Band switch r-f unit        |  |                              |
| 111              |   | SWITCH ASSEMBLY: same as 108  | Band switch r-f unit        |  |                              |
| 112              |   | SWITCH ASSEMBLY: same as 108  | Band switch detector unit   |  |                              |
| 113              |   | SWITCH ASSEMBLY: same as 108  | Band switch detector unit   |  |                              |
| 114              | 3Z9693-1  | SWITCH ASSEMBLY: rotary; 4 sections; 6 positions; 4 wafers, laminated bakelite wafers; terminals and contacts nickel-plated; shorting type; dimensions $1\frac{3}{4}$ " long, $1\frac{23}{32}$ " high, $1\frac{35}{64}$ " wide; mounting centers 1.562"   | Band switch oscillator unit | P. R. Mallory Co.<br>RO-216110<br>Oak Mfg. Co. | Stromberg-Carlson<br>D-3519  |
| 115              |   | SWITCH ASSEMBLY: same as 114  | Band switch oscillator unit |  |                              |
| 116              |   | SWITCH ASSEMBLY: same as 114  | Band switch oscillator unit |  |                              |
| 117              |   | SWITCH ASSEMBLY: same as 114  | Band switch oscillator unit |  |                              |
| 251              | 2C4348M/T3  | TRANSFORMER ASSEMBLY: i-f; 915 kc; permeability-tuned; primary winding Q is equal to $101 \pm 20\%$ , 1500 kc; inductance equals 79 microhenries $\pm 3\%$ ; resistance equals 1.99 ohms $\pm 18\%$ ; includes 2 mica capacitors 500 micromicrofarads; 500 volts; 1 mica capacitor 250 micromicrofarads; 500 volts; assembled in a shield can; 4 soldering lugs brought out at bottom; 1 terminal on top; dimensions $4$ " high x $1\frac{1}{16}$ " x $1\frac{1}{16}$ "; $1\frac{3}{8}$ " between centers; 2 spade bolt mountings | 1st I-F transformer         | F. W. Sickles<br>special                       | Stromberg-Carlson<br>D-3749  |
| 252              | 2C4348M/T4  | TRANSFORMER ASSEMBLY: i-f; 915 kc; permeability-tuned; primary winding Q is equal to $101 \pm 20\%$ , 1500 kc; inductance equals 69 microhenries $\pm 3\%$ ; resistance equals 1.9 ohms $\pm 20\%$ ; secondary winding resistance start to top 0.95 ohms $\pm 20\%$ ; includes 2 mica capaci-   | Second i-f transformer      | F. W. Sickles<br>special                       | Stromberg-Carlson<br>D-3750  |

TABLE OF REPLACEABLE PARTS — PART II

MODEL: RADIO RECEIVERS BC-348-E, BC-348-M, BC-348-P ONLY

| Reference Symbol | Army Stock Number<br>Navy Type Number<br>British Reference Number | Name of Part and Description  | Function            | Mfr. and Designation  | Drawing or Specification No. |
|------------------|---|---|---------------------|-----------------------|------------------------------|
| 253              | 2C4348M/T5  | tors 260 mmfd; 500 volts assembled in a shield can; 4 soldering lugs brought out at bottom; 1 on top; dimensions 4" high x 1 7/16" square; 2 spade bolt mountings<br><br>TRANSFORMER ASSEMBLY: i-f; 915 kc; permeability-tuned; primary winding resistance 1.9 ohms $\pm 20\%$ ; resistance start to top 0.95 ohms $\pm 20\%$ ; secondary winding Q equals 101 $\pm 20\%$ ; 1500 kc; inductance equals 69 microhenries $\pm 3\%$ ; includes 1 mica capacitor 260 micromicrofarads; 500 volts; 1 mica capacitor 250 micromicrofarads; 500 volts, assembled in a shield can, 3 soldering lugs brought out at bottom, 1 on top; 2 spade bolt mountings; dimensions 4" high x 1 7/16" square; mounting centers 1 3/8" | 3rd I-F transformer | F. W. Sickles special | Stromberg-Carlson D-3751     |
| 254              | 2C4348M/T6  | TRANSFORMER ASSEMBLY: i-f; 915 kc; permeability-tuned; primary winding Q is equal to 102 $\pm 20\%$ , 1500 kc; inductance equals 122 microhenries $\pm 3\%$ ; resistance equals 2.6 ohms $\pm 20\%$ ; secondary winding Q equals 126 $\pm 20\%$ , 700 kc; inductance equals 340 microhenries $\pm 3\%$ ; resistance 4.5 ohms $\pm 18\%$ ; includes 1 mica capacitor 150 micromicrofarads; 500 volts; 1 mica capacitor 47 micromicrofarads; 500 volts; assembled in a shield can; 4 soldering lugs brought out at bottom; 2 spade bolt mountings; dimensions 4" high x 1 7/16" square; mounting centers 1 3/8"   | 4th I-F transformer | F. W. Sickles special | Stromberg-Carlson D-3752     |
| 255              | 2C4348M/F1  | CRYSTAL FILTER UNIT: 915 kc; consists of 1 variable capacitor, 1 fixed mica capacitor, 1 transformer, 1 SPST switch, 1 crystal assembly mounted in holder; permeability-tuned; 2 solder terminals on top; 1 solder terminal on bottom; can dimensions 4" high (including cap) 1 7/16" x 1 7/16"; mounting centers 1 3/8" includes RCA type M18658A crystal and holder   | I-F selectivity     | F. W. Sickles special | Stromberg-Carlson D-3814     |
| 256              | 2C4348M/P5  | OSCILLATOR UNIT: c-w assembly; beat frequency; consists of 1 variable capacitor; 1 fixed paper capacitor; 3 fixed mica capacitors; 1 fixed resistor; 1 c-w oscillator transformer; assembled in an aluminum can; 3 terminals at bottom; dimensions 4" high x 1 7/16"; square mounting 1 3/8"; permeability-tuned from top; c-w control on bottom; mounting dimensions 1 3/8"  | C-W reception       | F. W. Sickles special | Stromberg-Carlson D-3791     |

## TABLE OF REPLACEABLE PARTS — PART II

MODEL: RADIO RECEIVERS BC-348-E, BC-348-M, BC-348-P ONLY

| Reference Symbol | Army Stock Number<br>Navy Type Number<br>British Reference Number | Name of Part and Description   | Function                              | Mfr. and Designation         | Drawing or Specification No. |
|------------------|---|--|---------------------------------------|------------------------------|------------------------------|
| 257              | 2C4348M/A11   | ANTENNA UNIT ASSEMBLY: complete with shield can; can includes 3 variable capacitors, 50 micro-microfarad max; 2 variable capacitors, 25 micro-microfarad max; 1 fixed paper capacitor, 0.01 microfarad; 4 fixed mica capacitors; 1 fixed carbon resistor 1/2 watt; 100,000 ohms; 1 inductance coil, antenna band 1; 1 inductance coil, antenna band 2; 1 inductance coil, antenna band 3; 1 inductance coil, antenna band 4; 1 inductance coil, antenna band 5; 1 inductance coil, antenna band 6; 1 switch, 6-position, 1-wafer; 2 sections; dimensions 7 3/8" x 4 3/4" x 2"; special bracket on side for mounting; mounting dimensions 5.312" x 1.25"; trimmers on end and top   | Antenna to 1st R-F tube coupling      | Stromberg-Carlson<br>D-3411  | Stromberg-Carlson<br>D-3411  |
| 258              | 2C4348M/F13   | R-F UNIT ASSEMBLY: aluminum shield can; can includes 2 air trimmer, 50 micro-microfarad max (variable capacitors), 1 air trimmer, 25 micro-microfarad max; 1 fixed paper capacitor 0.01 microfarad; 1 fixed mica capacitor 155 micro-microfarad; 1 fixed mica capacitor 135 micro-microfarad; 1 fixed mica capacitor 460 micro-microfarad; 1 fixed mica capacitor 75 micro-microfarad; 1 fixed resistor 1/2 watt, 4700 ohms; 1 fixed resistor 1/2 watt, 100,000 ohms; 1 r-f transformer, band 1; 1 r-f transformer band 2; 1 r-f transformer, band 3; 1 r-f transformer, band 4; 1 r-f transformer, band 5; 1 r-f transformer, band 6; 2 rotary switches, 6-position; 2 wafers; dimensions 7 3/8" x 4 3/4" x 2"; 2 brackets on side for mounting; 5.312" x 1/25" mounting dimensions | 1st R-F to 2nd R-F tube coupling      | Stromberg-Carlson<br>special | Stromberg-Carlson<br>D-3413  |
| 259              | 2C4348M/D12   | DETECTOR UNIT ASSEMBLY: complete with shield can; can includes 2 capacitors, air trimmers, 50 micro-microfarads max; 2 capacitors, air trimmers, 25 micro-microfarads max; 1 paper capacitor, 0.01 microfarad; 5 mica capacitors; 1 resistor, 1/2 watt, 4700 ohms; 1 transformer 1st detector, band 1; 1 transformer 1st detector, band 2; 1 transformer 1st detector, band 3; 1 transformer 1st detector, band 4; 1 transformer 1st detector, band 5; 1 transformer 1st detector, band 6; 1 switch, 6 positions, 1 wafer, 2-section; dimensions 7 3/8" x 4 3/4" x 2". Mounting dimensions 5.312" x 1.25"; special bracket mounting; trimmers tuned at end and top   | 2nd R-F to 1st detector tube coupling | Stromberg-Carlson<br>D-3411  | Stromberg-Carlson<br>D-3411  |

TABLE OF REPLACEABLE PARTS — PART II

MODEL: RADIO RECEIVERS BC-348-E, BC-348-M, BC-348-P ONLY

| Reference Symbol | Army Stock Number<br>Navy Type Number<br>British Reference Number                         | Name of Part and Description  | Function                                       | Mfr. and Designation   | Drawing or Specification No. |
|------------------|---|---|--|--|------------------------------|
| 260              | 2C4348M/P6  | OSCILLATOR UNIT ASSEMBLY: complete with shield can; includes: 2 variable capacitors 50 micromicrofarad max; 4 variable capacitors, 25 micromicrofarad max; 2 fixed paper capacitors 0.01 microfarad; 7 fixed mica capacitors; 4 ceramic capacitors; 3 resistors; 1 oscillator transformer band 1; 1 oscillator transformer band 2; 1 oscillator transformer band 3; 1 oscillator transformer band 4; 1 oscillator transformer band 5; 1 oscillator transformer band 6; 1 switch assembly, 4 sections; 6 positions; 1 cover plate with screws; 1 tube socket, octal, VT-65; dimensions $7\frac{3}{8}$ " x $2\frac{1}{2}$ " x $5\frac{1}{4}$ "; side bracket mounting; mounting dimensions $5$ " x $0.812$ " x $1.25$ " | Heterodyne oscillator to 1st detector coupling | Stromberg-Carlson<br>D-3414                                      | Stromberg-Carlson<br>D-3414  |
| 301              | 3C370-2<br>(also shipped as<br>2C4224B/8,<br>2C4348M/C1,<br>2C4348H/C1 and<br>3H1628E/C2) | COIL: r-f choke; 75 turns; #15 AWG enameled; layer wound; wound on maple or birch form measuring $\frac{3}{4}$ " long by $\frac{1}{2}$ " diam; inductance 83 microhenries; d-c resistance 0.006 ohms; +5% -10%; overall dimensions $\frac{3}{4}$ " length x $1\frac{1}{16}$ " diam; mounts by a $\frac{1}{4}$ " bolt threaded into end of coil form; solder lug terminal at each end of coil form   | R-F choke for dynamotor                        | RCA<br>M-66347-501   | RCA<br>M-66347-501           |
| 302              | 3C370-1<br>(also shipped as<br>2C4348M/C2,<br>2C4348H/C2,<br>2C4224B/7 and<br>3H1628E/C1) | COIL: r-f choke; wood core $\frac{1}{2}$ " diameter x $\frac{5}{8}$ " long; 300 turns #30 single silk enameled wire; universal winding $\frac{3}{16}$ " thick; d-c resistance 85.5 ohms $\pm 5$ ohms; terminal board with 3 terminals $1\frac{3}{8}$ " x $1\frac{3}{8}$ " x $1\frac{1}{16}$ " mounting screw through core   | Filter for dynamotor                           | Stromberg-Carlson<br>D-3909                                      | Stromberg-Carlson<br>D-3909  |
| 500              | 3Z7200-4<br>(also shipped as<br>2C4348H/R2 and<br>2C4348M/R2)                             | RESISTOR ASSEMBLY: variable; wire wound (rheostat) 200 ohms, $\pm 10\%$ ; 4 watts; 2 solder terminals; $\frac{3}{4}$ " deep x $1\frac{5}{8}$ " maximum diameter; shaft $\frac{1}{4}$ " diameter $\frac{5}{8}$ " long; $\frac{3}{8}$ "-32 thread bushing $\frac{3}{32}$ " long; shaft $\frac{3}{32}$ " flat x $\frac{9}{32}$ " long  | Dial light control                             | P. R. Mallory special<br>D-113683<br>Chicago Tel. Co.<br>type 25 | Stromberg-Carlson<br>D-3880  |
| 501-A            | 3Z5993-2  | RESISTOR: fixed; tapped; 3 ohms; 1.5 watts, $\pm 10\%$ ; 190 ohms; 1.9 watts, $\pm 10\%$ ; bakelite insulated; metal case; overall length $3\frac{1}{16}$ "; $1\frac{1}{16}$ " wide x $\frac{5}{16}$ " high; mounting centers $2\frac{1}{2}$ "; 3 solder lug terminals on top   | Filament                                       | International Resistor<br>Co. type MN-2                          | Stromberg-Carlson<br>D-3937  |
| 501-B            |   | RESISTOR: same as 501-A   |  |  |                              |



## TABLE OF REPLACEABLE PARTS — PART II

MODEL: RADIO RECEIVERS BC-348-E, BC-348-M, BC-348-P ONLY

| Reference Symbol | Army Stock Number<br>Navy Type Number<br>British Reference Number | Name of Part and Description   | Function                         | Mfr. and Designation                            | Drawing or Specification No. |
|------------------|---|--|----------------------------------|---|------------------------------|
| 502              | 3Z1935  | FUSE FU-35: 5 amps, 25 volts; cartridge; dimensions 1 $\frac{1}{4}$ " long x 1 $\frac{1}{64}$ " diameter   | Primary power fuse               | Littelfuse Lab. type 1094                       | Stromberg-Carlson D-3886     |
| 503              | 3Z6006-3<br>(also shipped as 3Z6006-5)                            | RESISTOR: fixed; wire wound; 60 ohms; 3.7 watts, $\pm 10\%$ ; bakelite insulation; metal case; overall length 3 $\frac{3}{16}$ ", overall height $\frac{5}{16}$ " (excluding terminals), 1 $\frac{1}{16}$ " wide; mounting centers 2 $\frac{1}{2}$ "; 2 soldering lug terminals on top | Dial lamp series                 | International Resistor Co. type MW-2            | Stromberg-Carlson D-3888     |
| 504              | 3Z2909<br>(also shipped as 2C4348H/C5 and 2C4348M/F2 and 3Z2910)  | FUSE CLIP ASSEMBLY: laminated phenolic strip with fuse clips; 2 phosphor bronze fuse clips nickel-plated; overall length 2 $\frac{3}{8}$ " x $\frac{1}{2}$ " wide x $\frac{3}{32}$ " thick; fuse clips $\frac{5}{16}$ " x $\frac{1}{16}$ " x $\frac{3}{16}$ "; solder lug terminals    | Fuse holder                      | American Radio Hardware special                 | Stromberg-Carlson D-3881     |
| 511              | 3H1628H/A1<br>(also shipped as 3H1628M/A1)                        | ARMATURE: dynamotor; complete with two bearings; commutator bars; dimensions 5" long; shaft 0.250" diameter each end; commutator diameter 0.966"   | Armature for Dynamotor DM-28-(*) | Eicor Inc. Webster-Chicago Corp. type 5-1046A   | Stromberg-Carlson D-5584     |
| 512              | 3H1624F/B5<br>(also shipped as 3H1624B/3.1 and 3H1624B/3)         | BRUSH: carbon, low voltage positive; consists of phosphor bronze springs, carbon brush, pigtail lead and contact; dimensions 2 $\frac{3}{32}$ " long, $\frac{5}{16}$ " wide, 0.187" thick; overall length 1 $\frac{15}{16}$ "  | Brush for dynamotor              | Pure Carbon part #309-L Becker Bros. part #M-60 | Stromberg-Carlson D-4350     |
| 513              | 3H1624F/B6<br>(also shipped as 3H1624B/3.1 and 3H1624B/3)         | BRUSH: carbon, low voltage negative; consists of phosphor bronze spring, carbon brush, pigtail lead and contact; dimensions 2 $\frac{3}{32}$ " long, $\frac{5}{16}$ " wide, 0.187" thick; overall length 1 $\frac{15}{16}$ "   | Brush for dynamotor              | Pure Carbon part #309-L Becker Bros. part #M-60 | Stromberg-Carlson D-4351     |
| VT-86            | 2J6K7 (2T86)§   | VACUUM TUBE: JAN-6K7   | 1st R-F amplifier                |   |                              |
| VT-86            | 2J6K7 (2T86)§   | VACUUM TUBE: JAN-6K7   | 2nd R-F amplifier                |   |                              |
| VT-91            | 2J6J7 (2T91)§   | VACUUM TUBE: JAN-6J7   | 1st detector                     |   |                              |
| VT-65            | 2J6C5 (2T65)§   | VACUUM TUBE: JAN-6C5   | Oscillator                       |   |                              |
| VT-86            | 2JK7 (2T86)§  | VACUUM TUBE: JAN-6K7   | 1st I-F amplifier                |   |                              |
| VT-70            | 2J6F7 (2T70)§   | VACUUM TUBE: JAN-6F7   | C-W oscillator and 2nd I-F       |   |                              |
| VT-93            | 2J6B8 (2T93)§   | VACUUM TUBE: JAN-6B8   | 3rd I-F and 2nd detector         |   |                              |
| VT-48            | 2J41 (2T48)§  | VACUUM TUBE: JAN-41  | Audio output amplifier           |   |                              |

§ Tubes having these stock numbers are built to VT-( ) specifications and may be substituted for the above.

LIST OF MANUFACTURERS

| <i>Symbol</i> | <i>Name of Manufacturer</i>               |
|---------------|---|
| AEM . . . . . | Acme Electric and Mfg. Co.                |
| A . . . . .   | Aerovox Corp.                             |
| AP . . . . .  | Alden Products Co.                        |
| AB . . . . .  | Allen-Bradley Co.                         |
| AG . . . . .  | Aluminum Goods Mfg. Co.                   |
| ARH . . . . . | American Radio Hardware                   |
| AHH . . . . . | Arrow-Hart & Hegeman Co.                  |
| AW . . . . .  | Automatic Winding Co.                     |
| ADC . . . . . | A. D. Cardwell Mfg. Co.                   |
| BD . . . . .  | Black and Decker                          |
| CRL . . . . . | Central Radio Laboratory                  |
| CT . . . . .  | Chicago Transformer                       |
| CTS . . . . . | Chicago Telephone Supply Co.              |
| CM . . . . .  | Cinch Manufacturing Corp.                 |
| CH . . . . .  | H. Cole & F. C. Hersee Co.                |
| CD . . . . .  | Cornell-Dubilier Corp.                    |
| CN . . . . .  | Crowe Name Plate & Mfg. Co.               |
| DMD . . . . . | Dahlstrom Metallic Door Co.               |
| DDC . . . . . | Doehler Diecasting Co.                    |
| E . . . . .   | Eicor, Inc.                               |
| ECE . . . . . | Electro-Chemical Engraving Co.            |
| EMC . . . . . | Electro-Motive Mfg. Co.                   |
| ER . . . . .  | Erie Resistor Corp.                       |
| EG . . . . .  | Edwin I. Guthman & Co., Inc.              |
| GE . . . . .  | General Electric Co.                      |
| HM . . . . .  | Hammarlund Manufacturing Co.              |
| HPS . . . . . | Hunter Pressed Steel                      |
| IRC . . . . . | International Resistance Co.              |
| LC . . . . .  | Lovejoy Chaplet Co.                       |
| LL . . . . .  | Littelfuse Laboratories                   |
| PRM . . . . . | P. R. Mallory & Co.                       |
| MR . . . . .  | Micamold Radio Corp.                      |
| NL . . . . .  | National Lock Co.                         |
| OM . . . . .  | Oak Manufacturing Co.                     |
| OVC . . . . . | Oneida Vault & Casket Co.                 |
| QCG . . . . . | Quaker City Gear Co.                      |
| RC . . . . .  | Radio Condenser Co.                       |
| RMC . . . . . | Rochester Mfg. Co.                        |
| RE . . . . .  | Russell Electric Co.                      |
| SG . . . . .  | Sargent & Greenleaf Inc.                  |
| FWS . . . . . | F. W. Sickles Co.                         |
| SMC . . . . . | Solar Manufacturing Co.                   |
| SS . . . . .  | Sprague Specialties Co.                   |
| ST . . . . .  | Standard Transformer Corp.                |
| WC . . . . .  | Webster-Chicago Corp.                     |
| WE . . . . .  | Westinghouse Electric & Manufacturing Co. |
| W . . . . .   | Wincharge Corp.                           |
| SSW . . . . . | S. S. White Dental Co.                    |

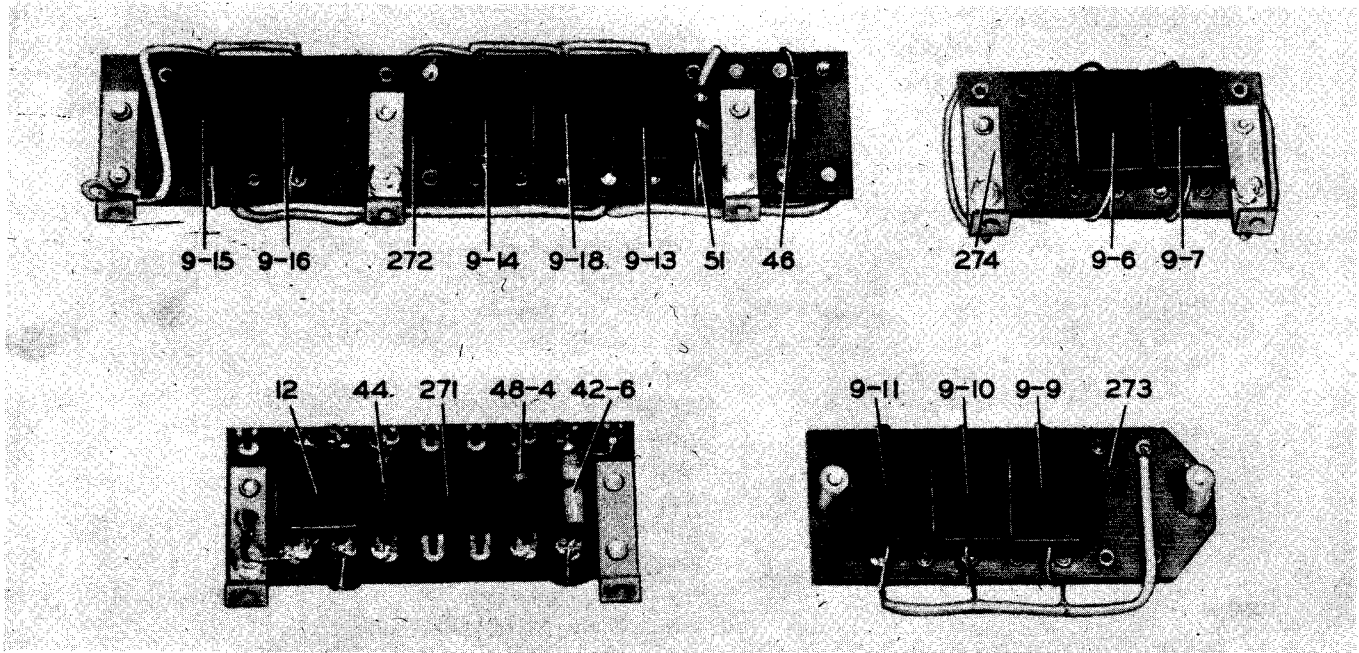


Figure 23 — Radio Receiver BC-348-(\*) or BC-224-(\*), Resistor Boards, View A

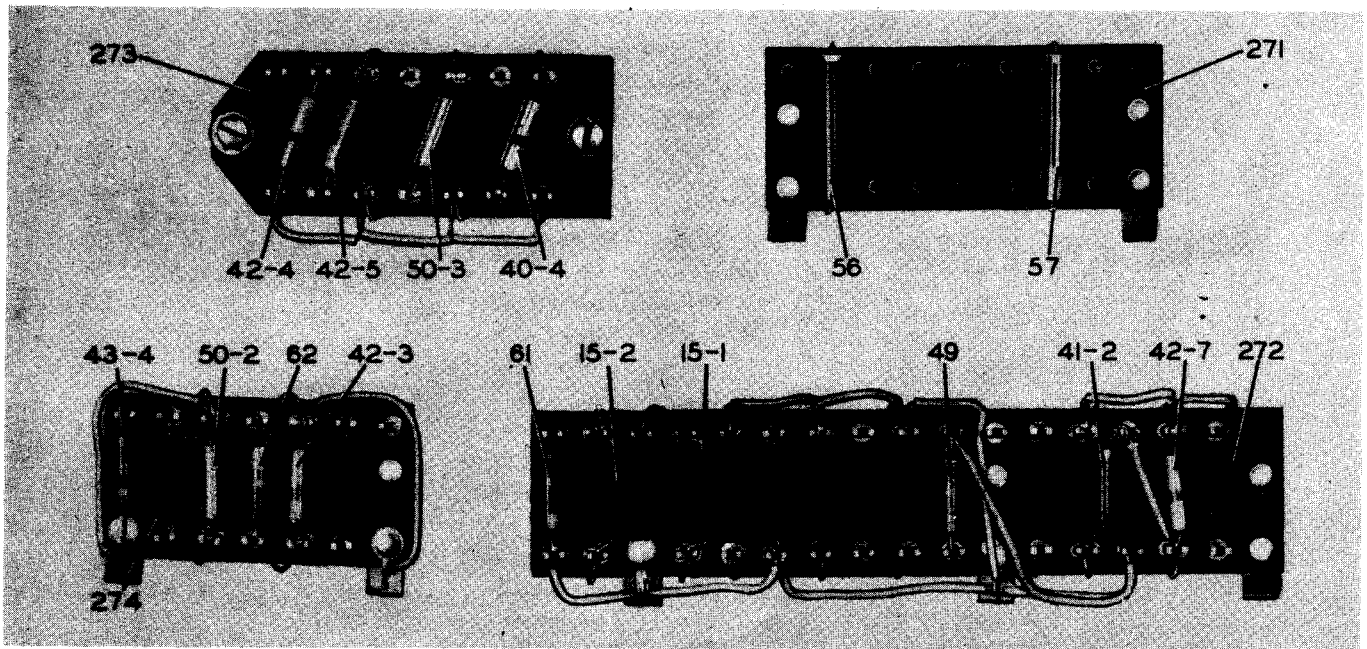


Figure 24 — Radio Receiver BC-348-(\*) or BC-224-(\*), Resistor Boards, View B

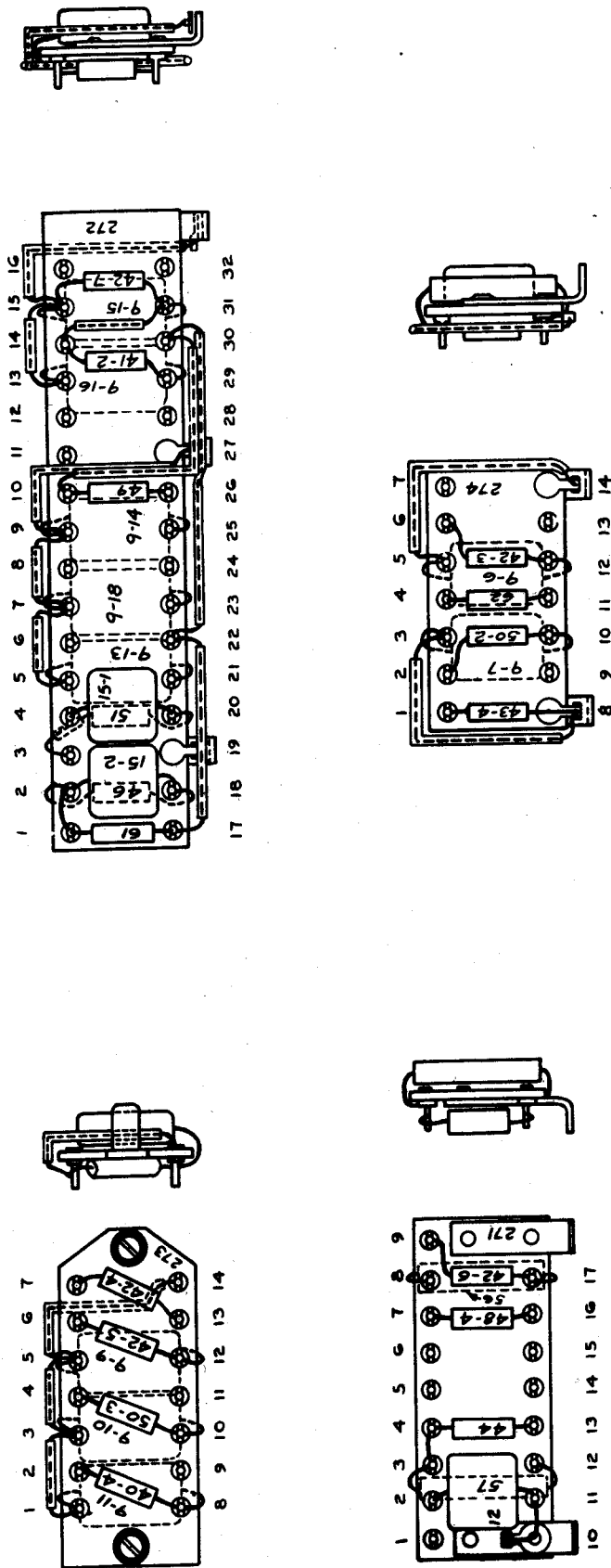


Figure 25 — Radio Receiver BC-348-(\*) or BC-224-(\*)  
Resistor Boards Wiring Diagram

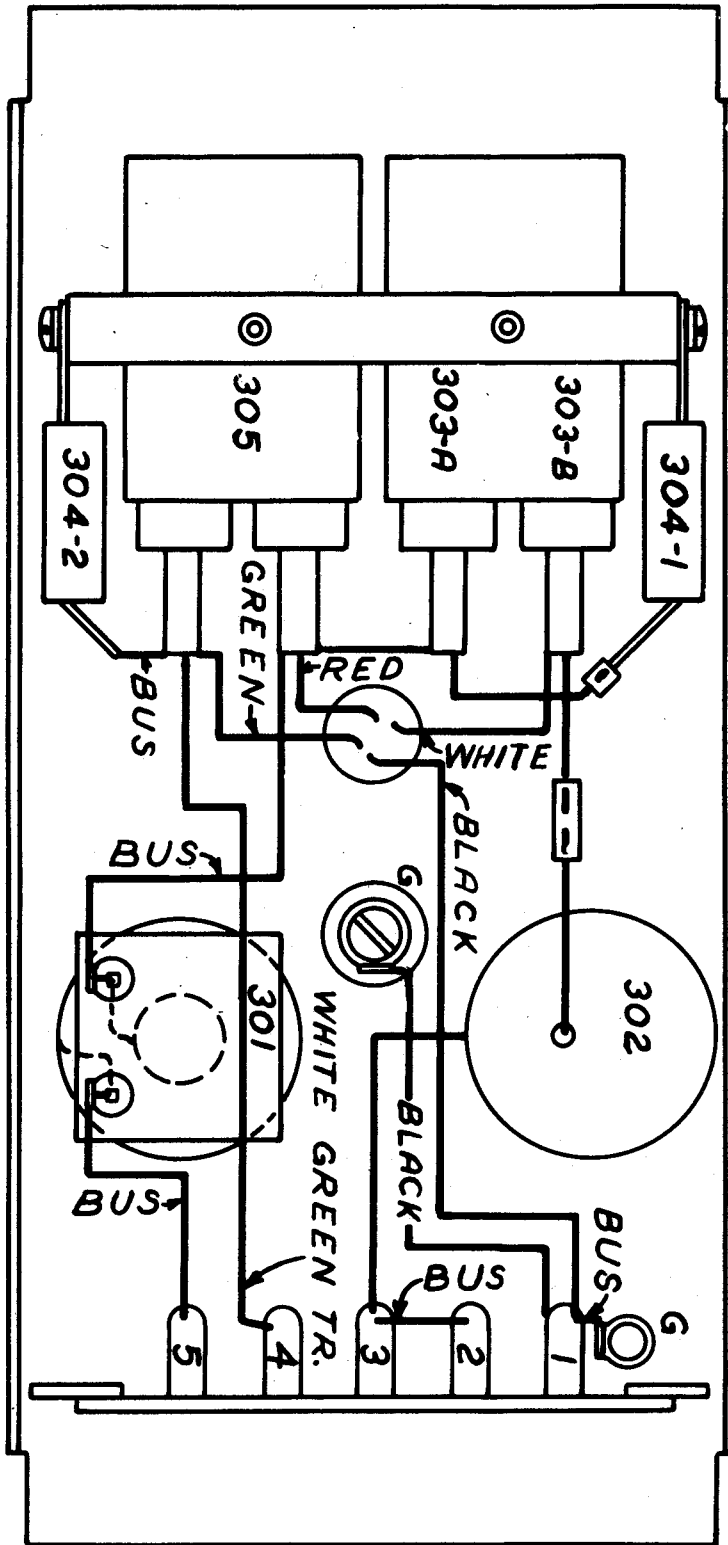


Figure 26 — Wiring Diagram, Dynamotor Filter

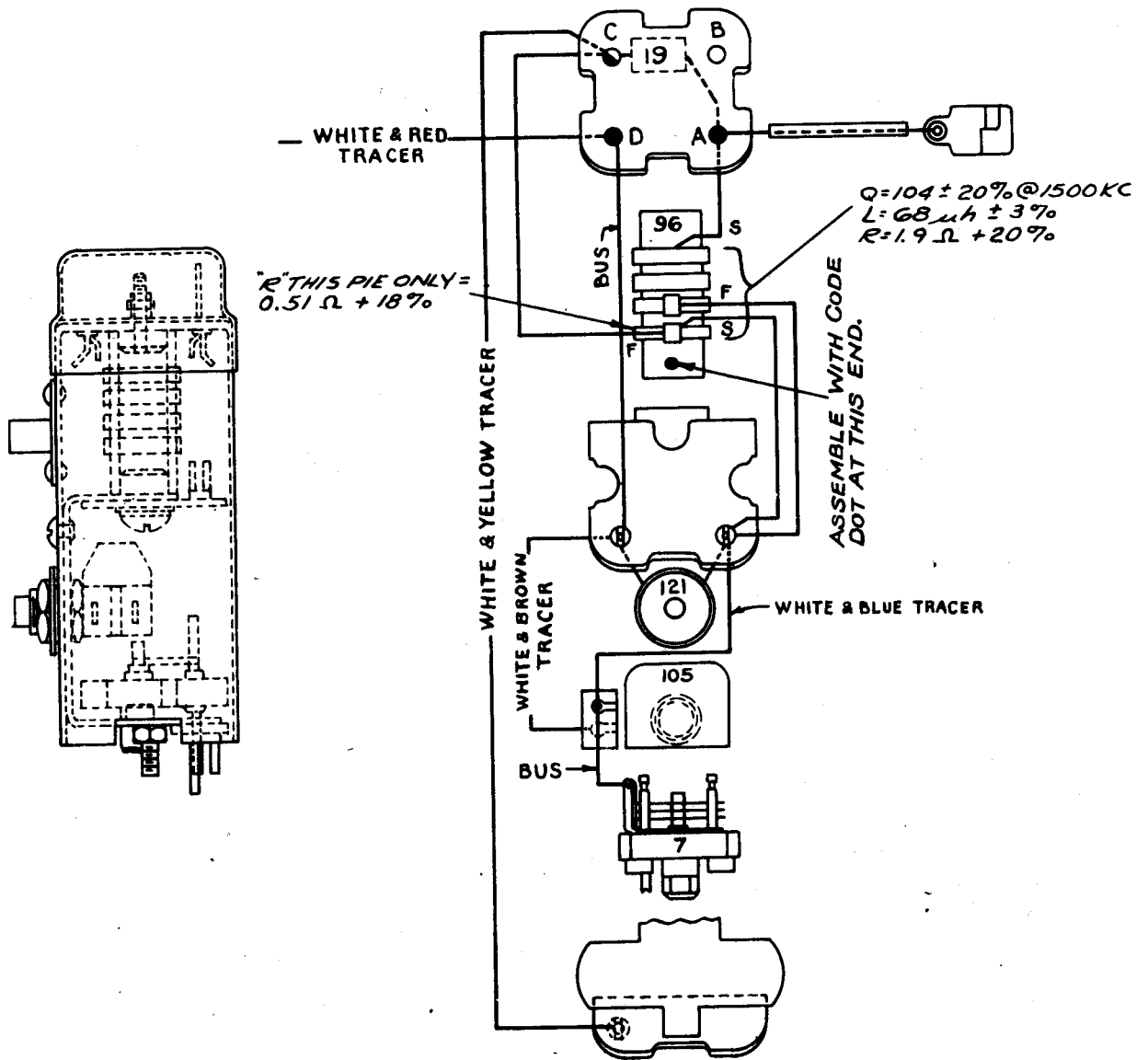


Figure 27 — Wiring Diagram, Crystal Filter

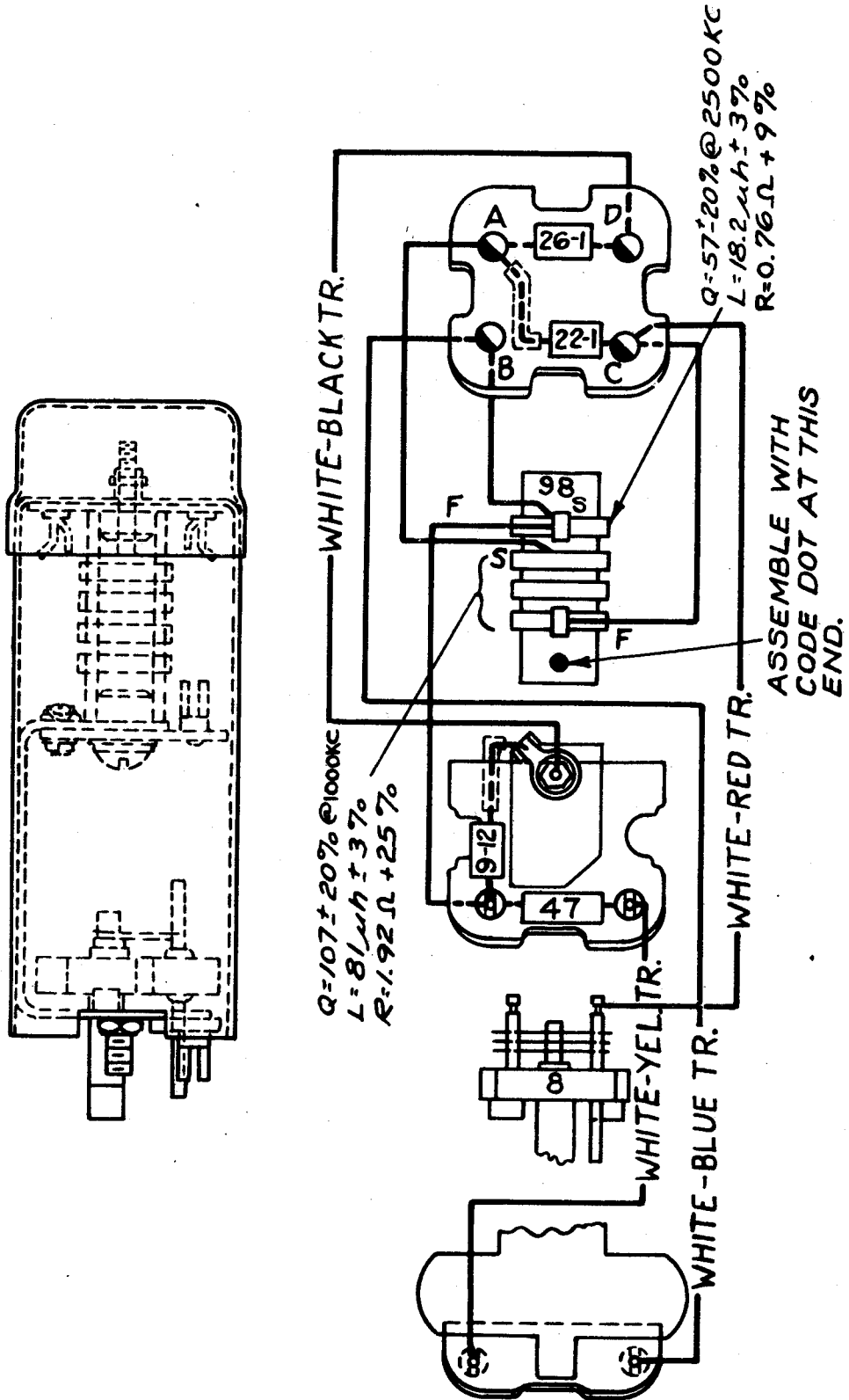


Figure 28 — Wiring Diagram, Beat Frequency Oscillator

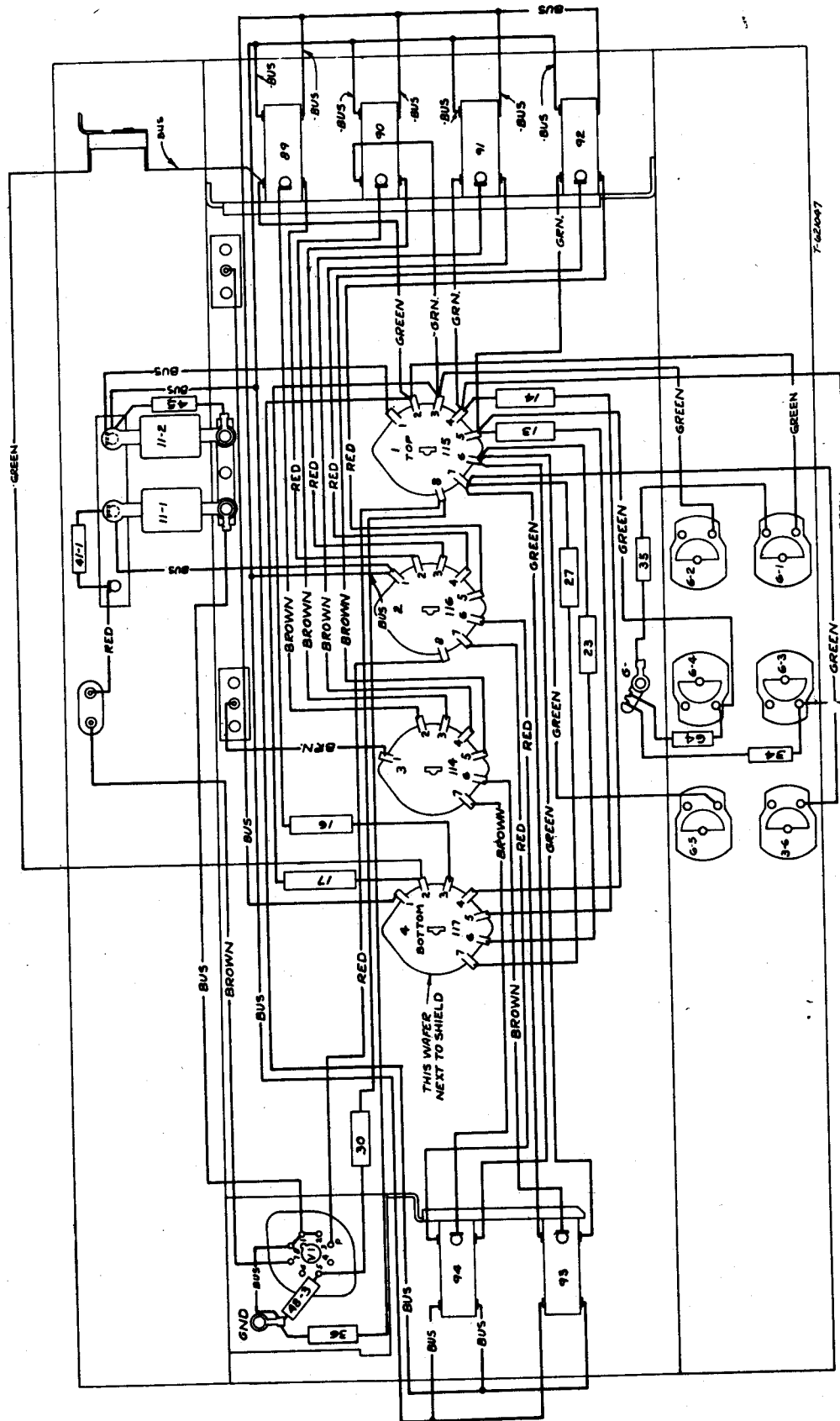


Figure 29 — Wiring Diagram, Oscillator Unit



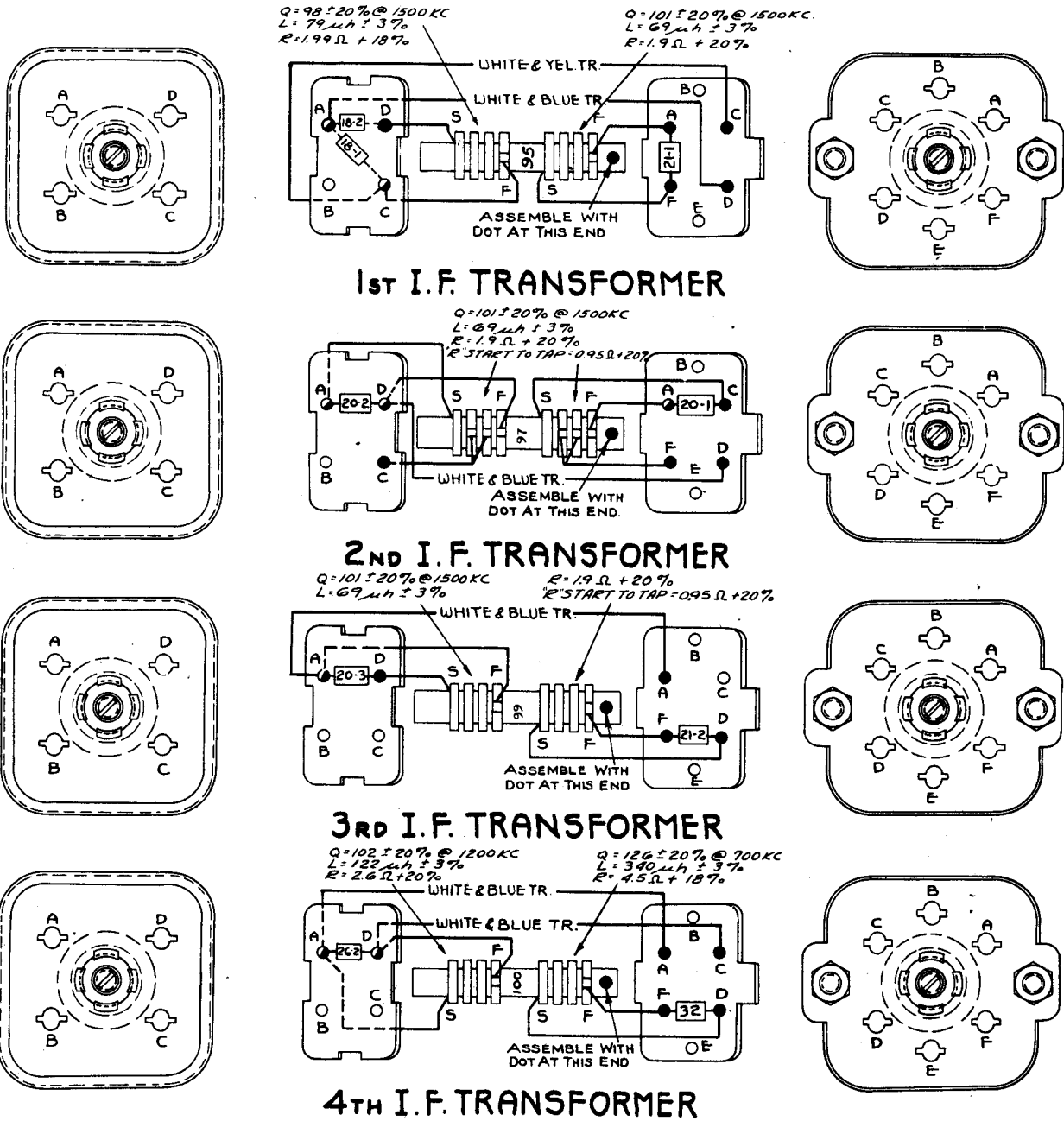


Figure 30 — Wiring Diagram, I-F Transformer

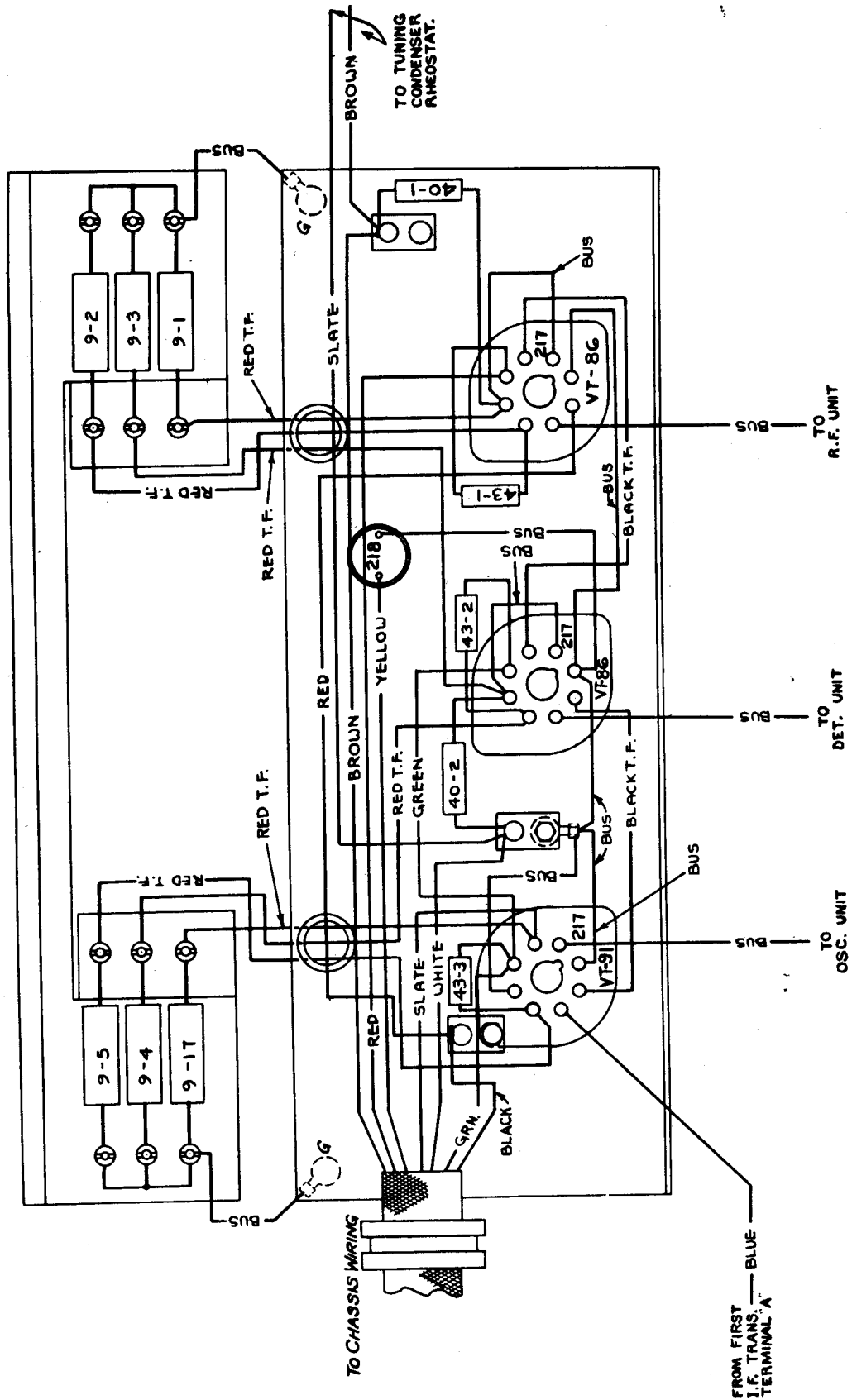


Figure 31 — Radio Receiver BC-348-(\*) , Wiring Diagram, Tube Shelf

RESTRICTED  
AN 08-10-209

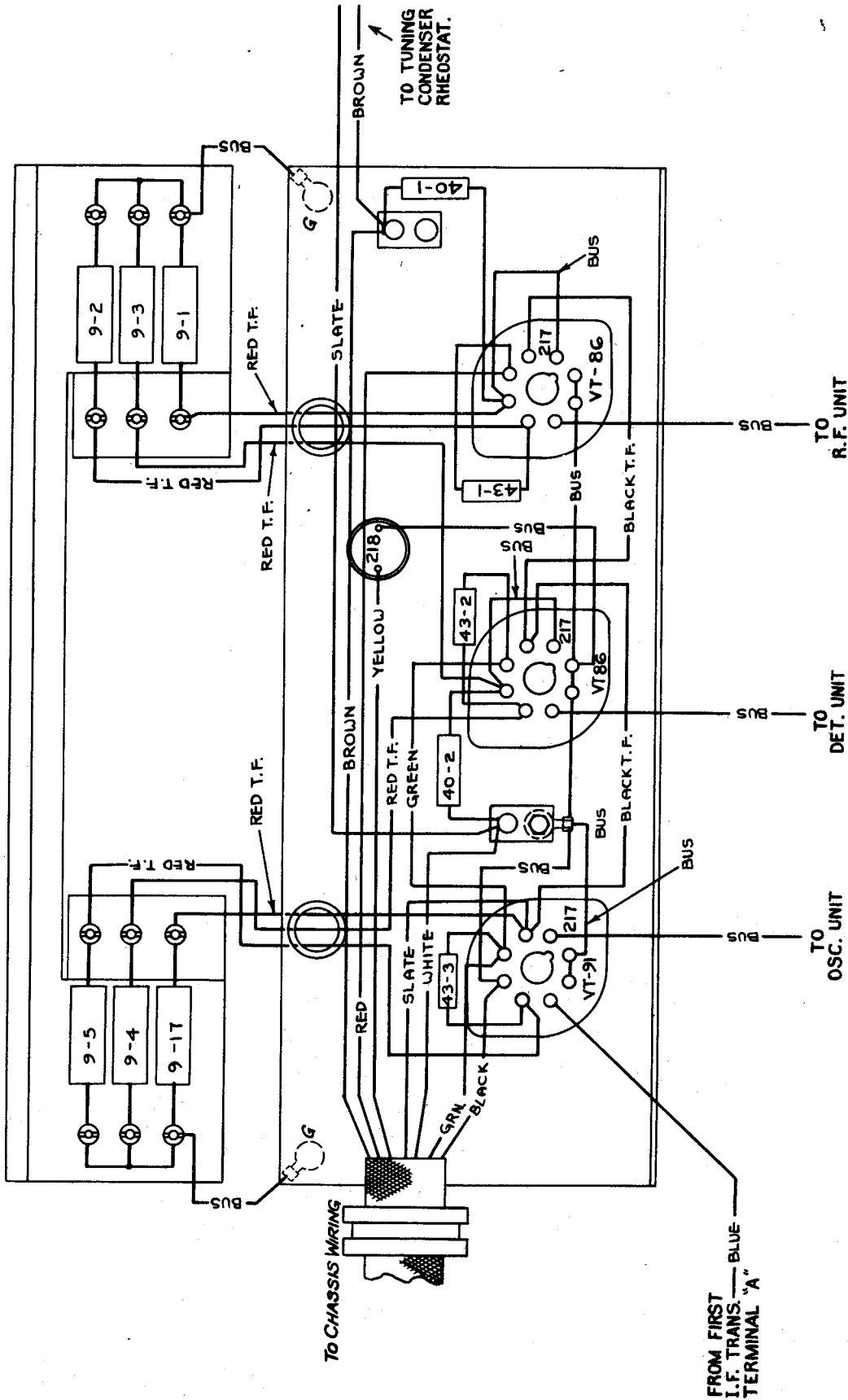


Figure 32 — Radio Receiver BC-224-1\*, Wiring Diagram, Tube Shelf

RESTRICTED

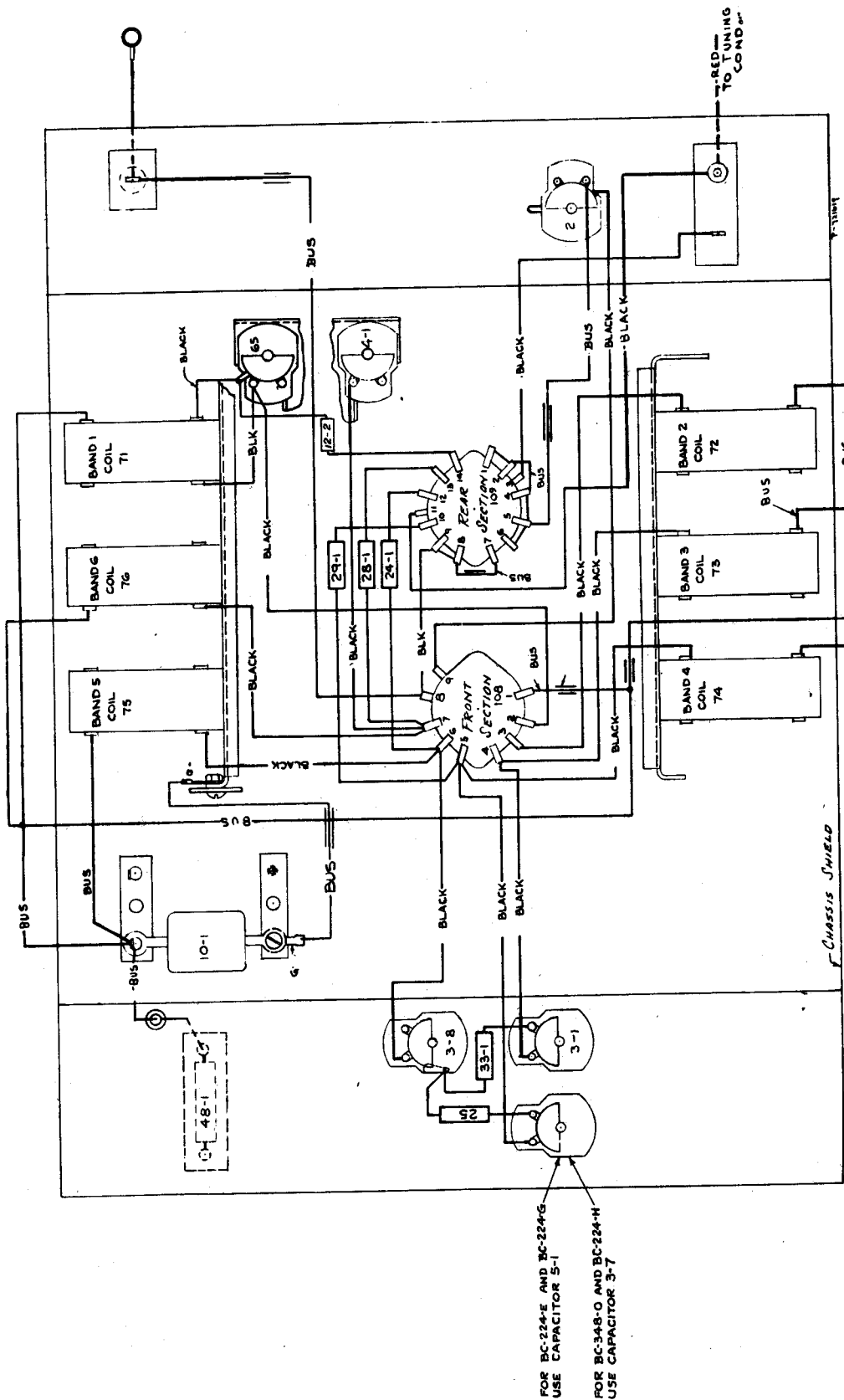


Figure 33 — Wiring Diagram, Antenna Unit

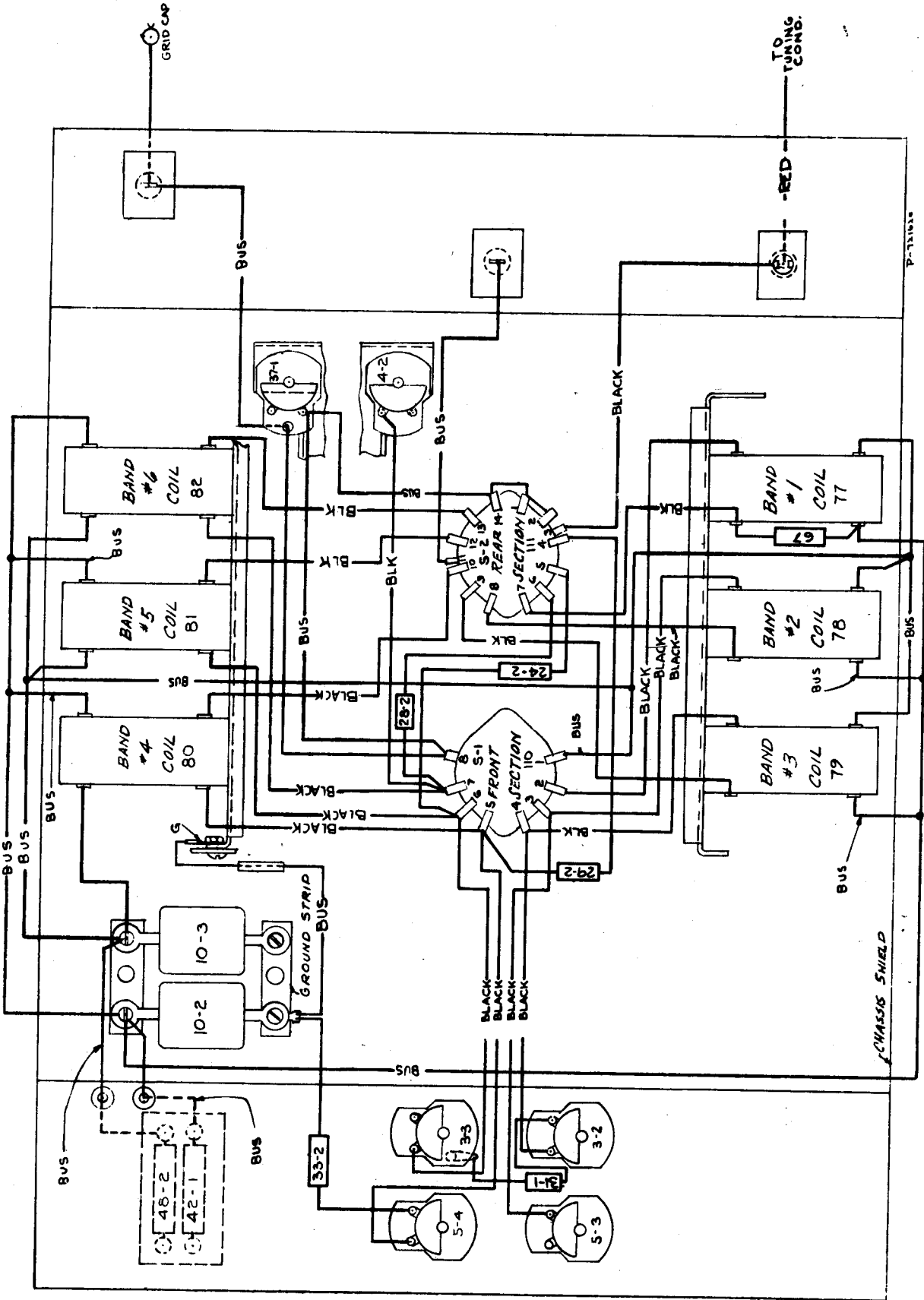


Figure 34 — Wiring Diagram, R-F Unit

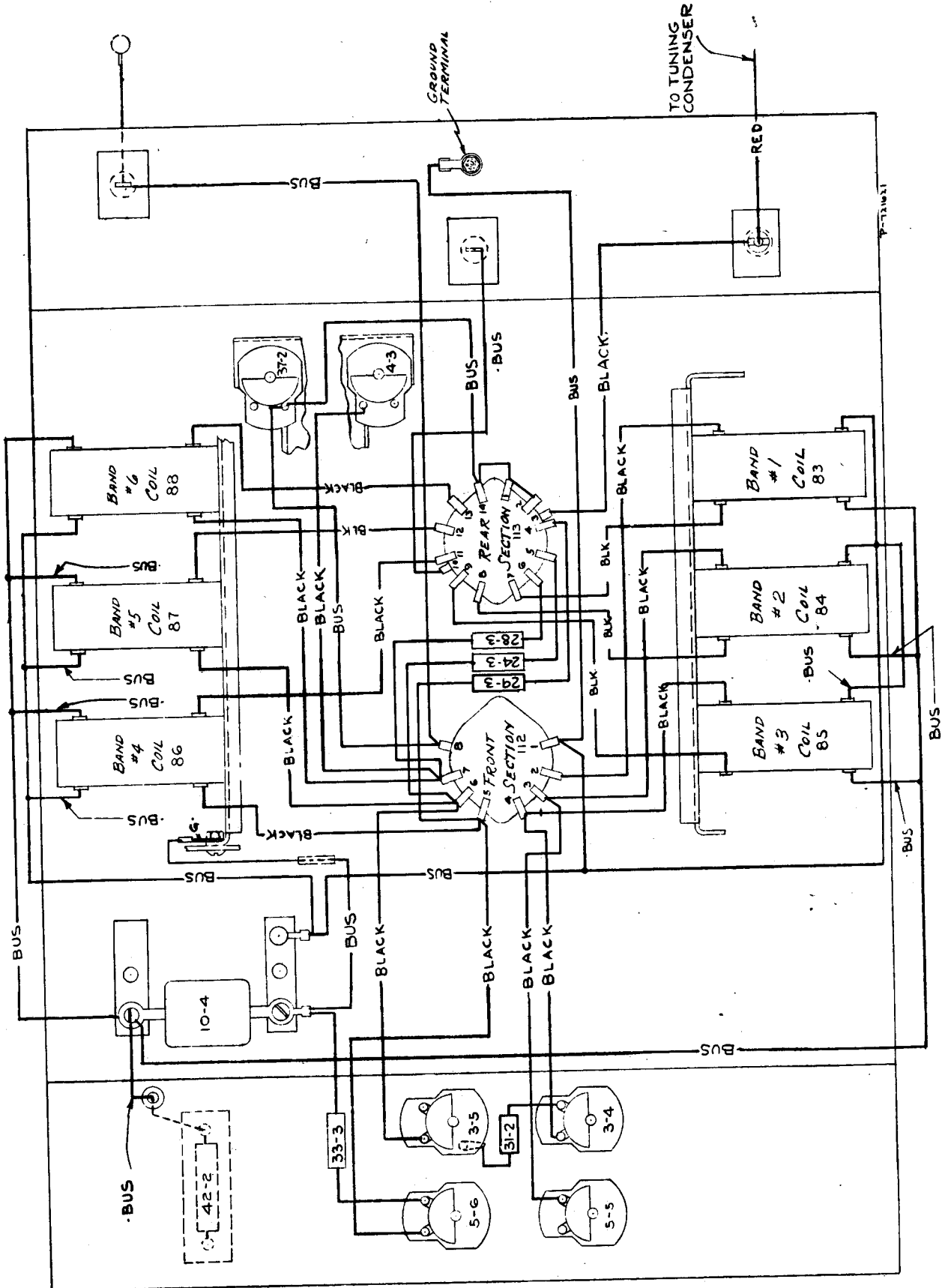


Figure 35 — Wiring Diagram, Detector Unit

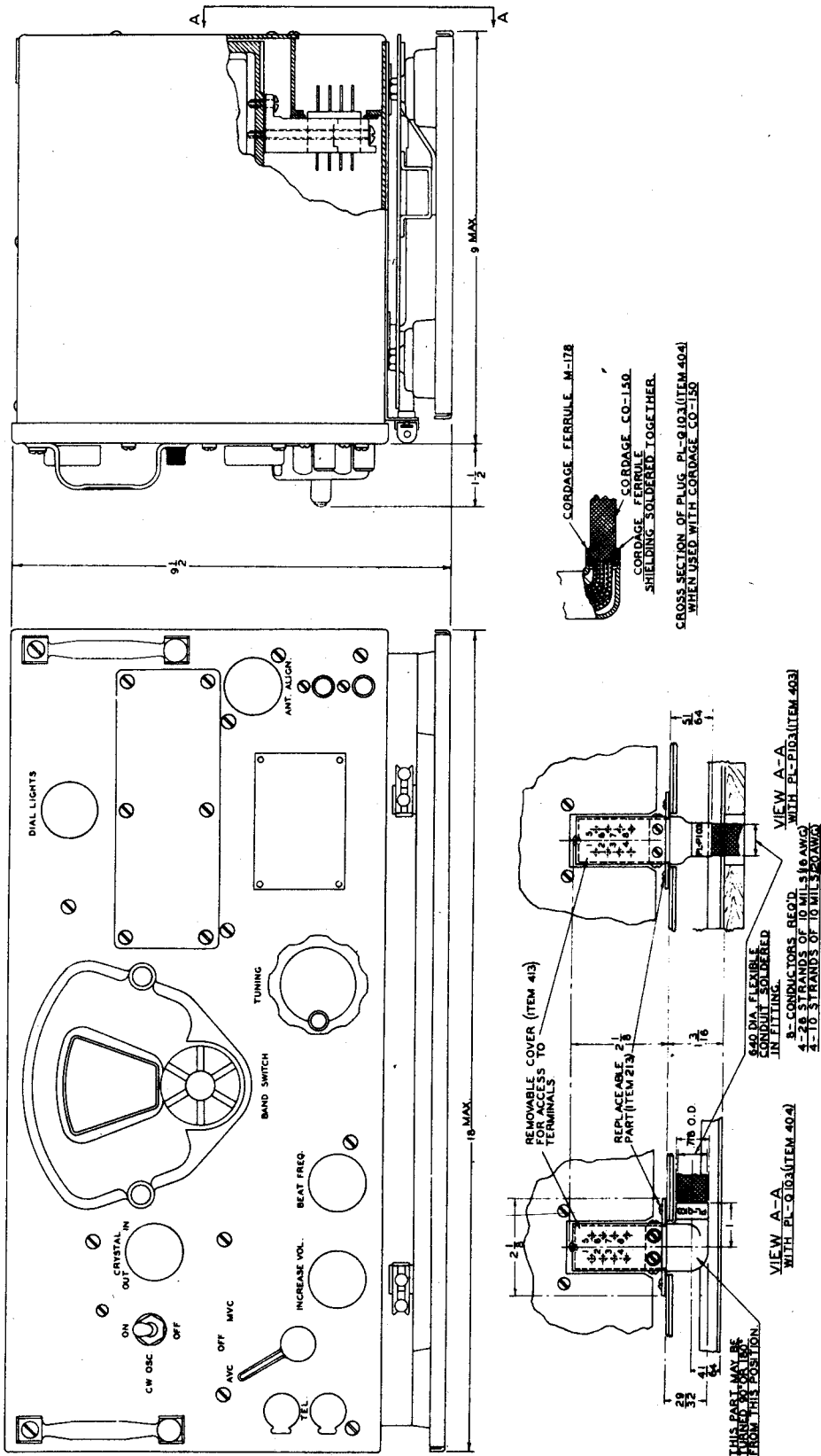
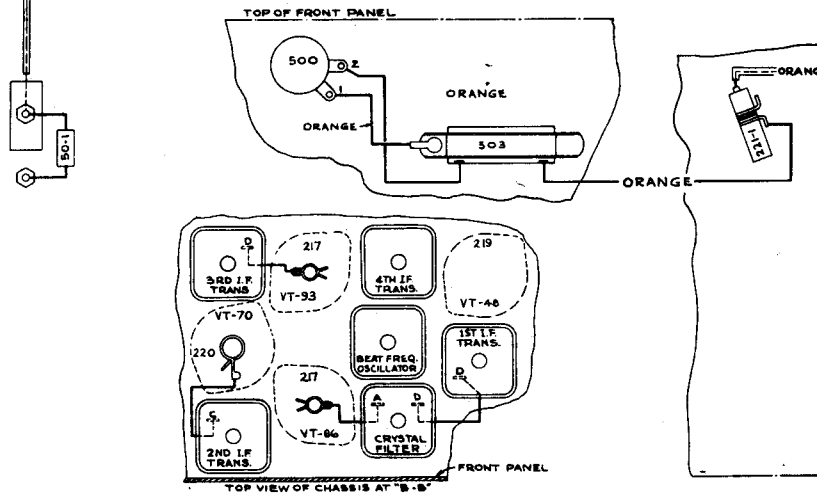
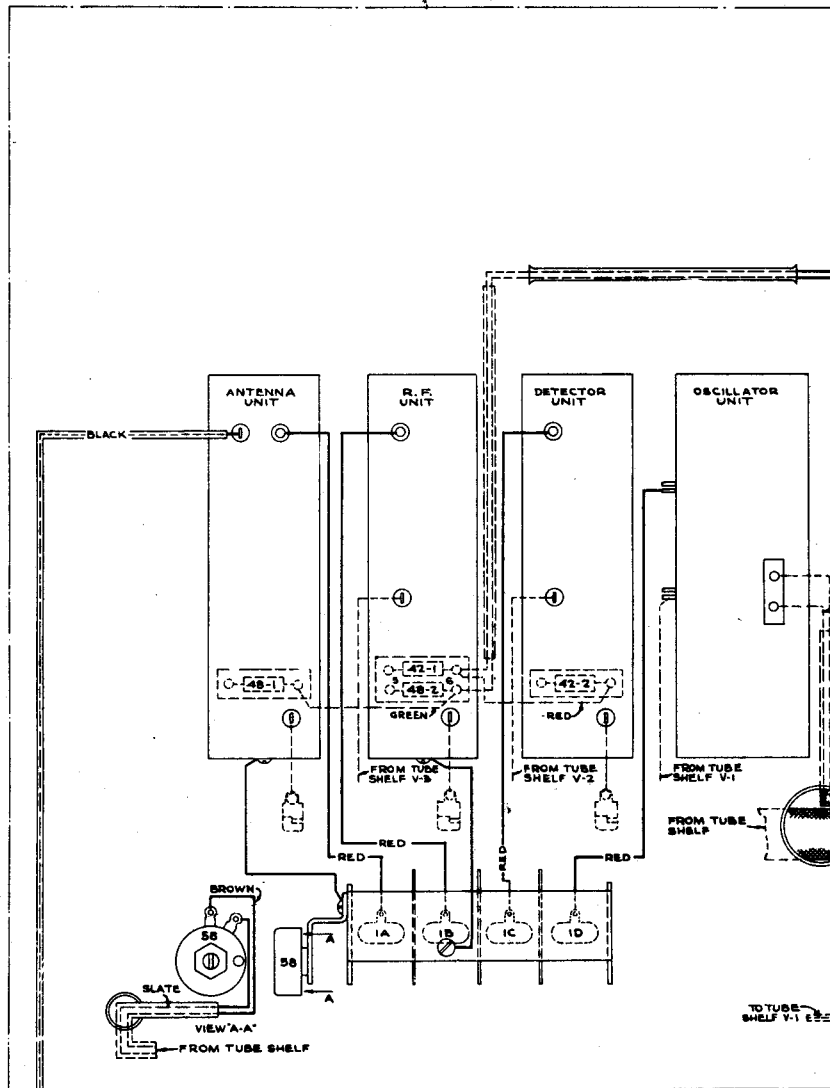


Figure 36 — Radio Receiver BC-348-(\*) or BC-224-(\*)  
Outline Dimensional Drawing





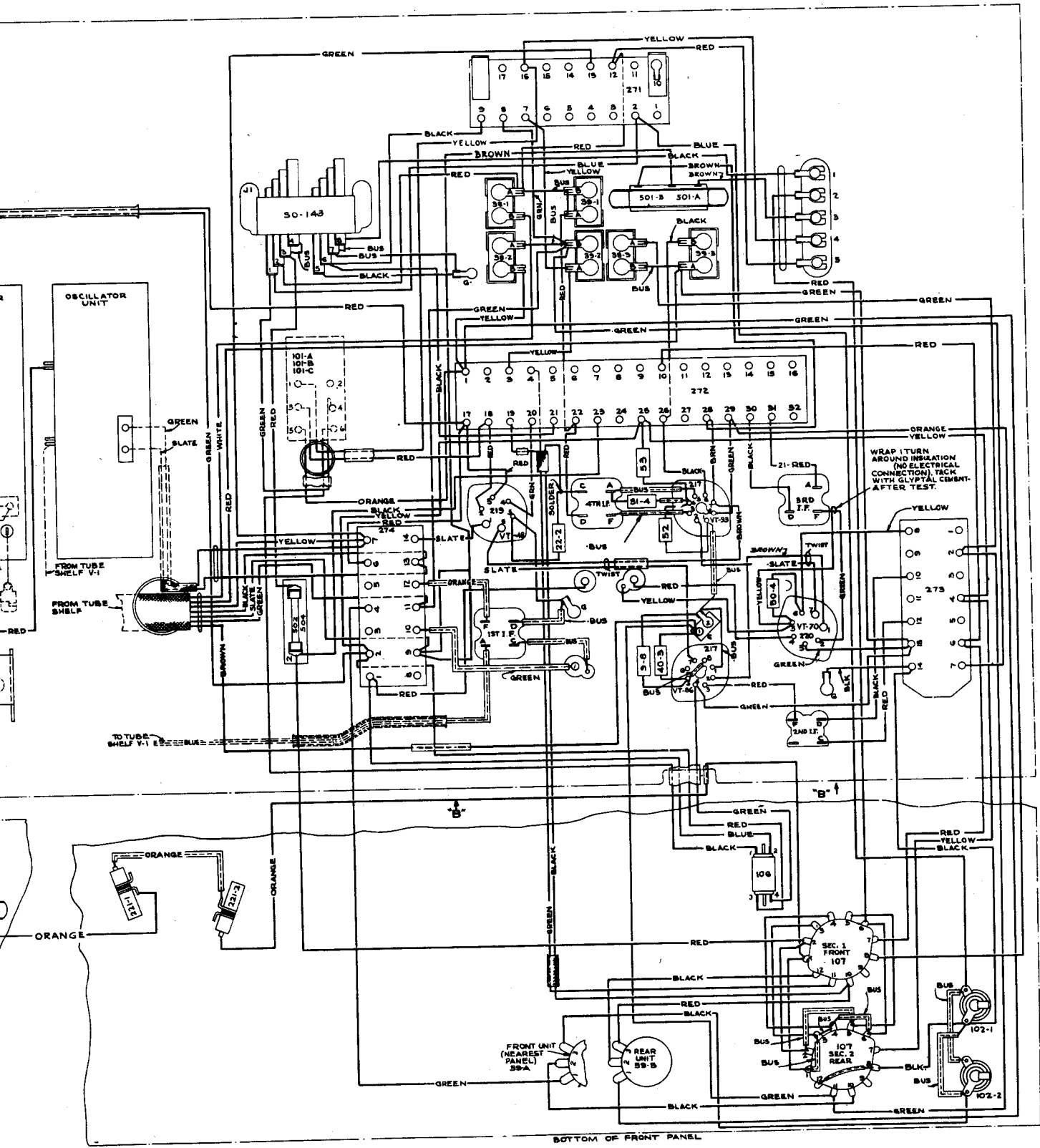
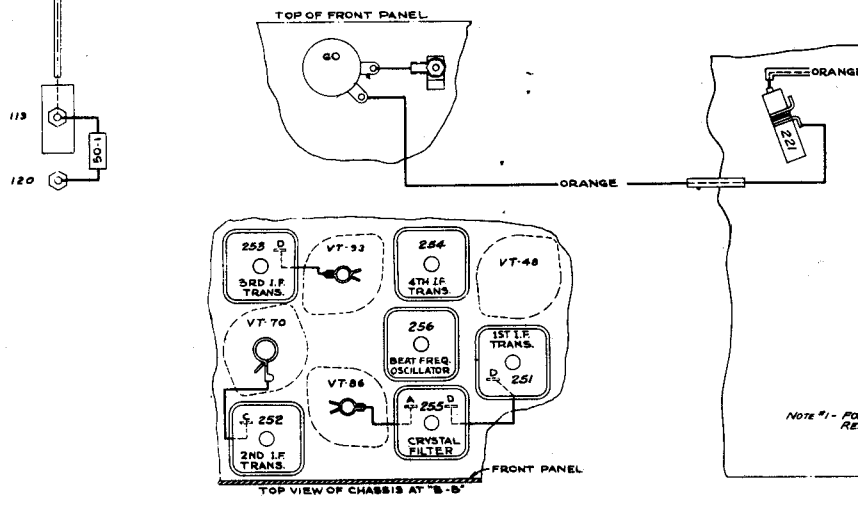
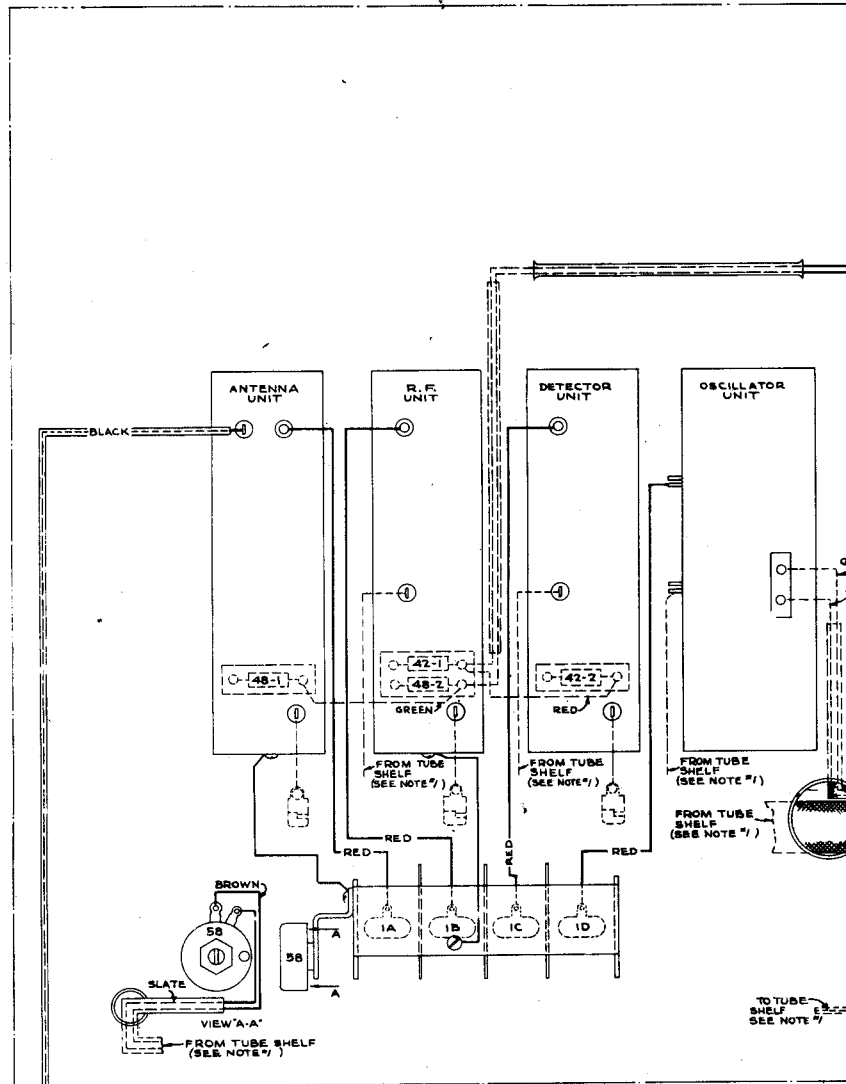


Figure 37 — Radio Receiver BC-348-(\*), Pictorial Wiring Diagram



NOTE #1 - FROM RE...

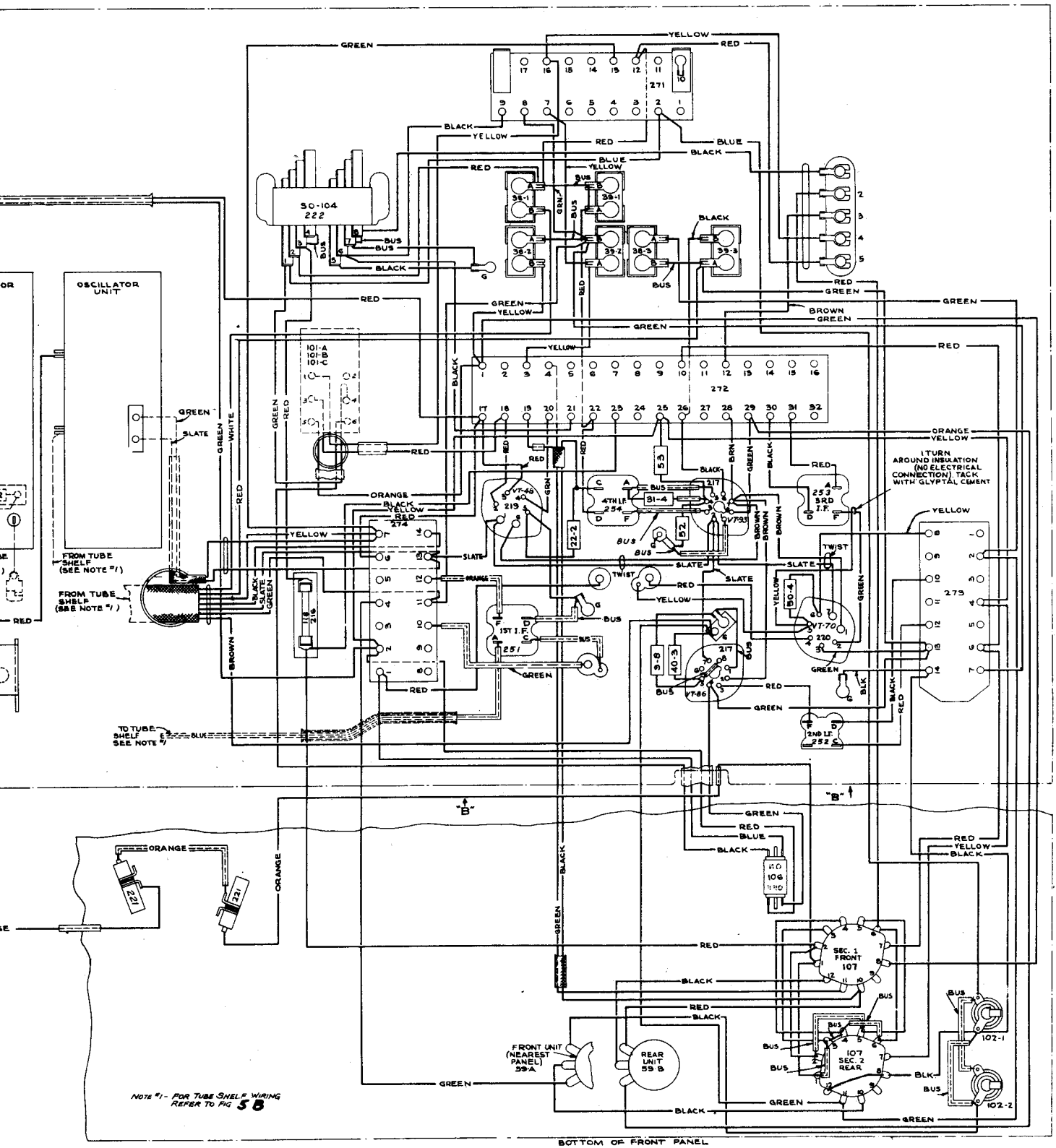


Figure 38 — Radio Receiver BC-224(\*), Pictorial Wiring Diagram

RESTRICTED  
AN 08-10-209

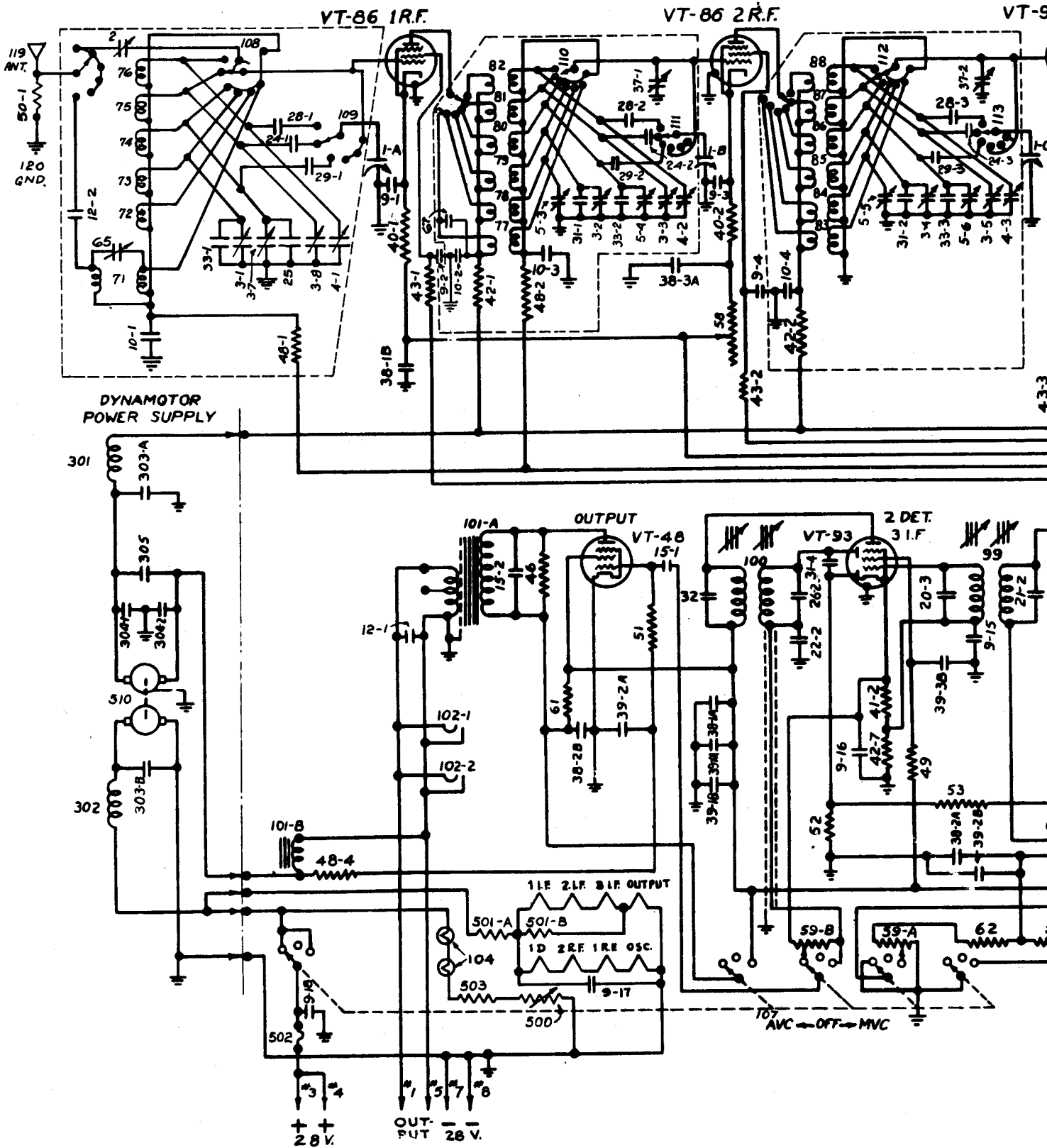


Figure 39 -

RESTRICTED

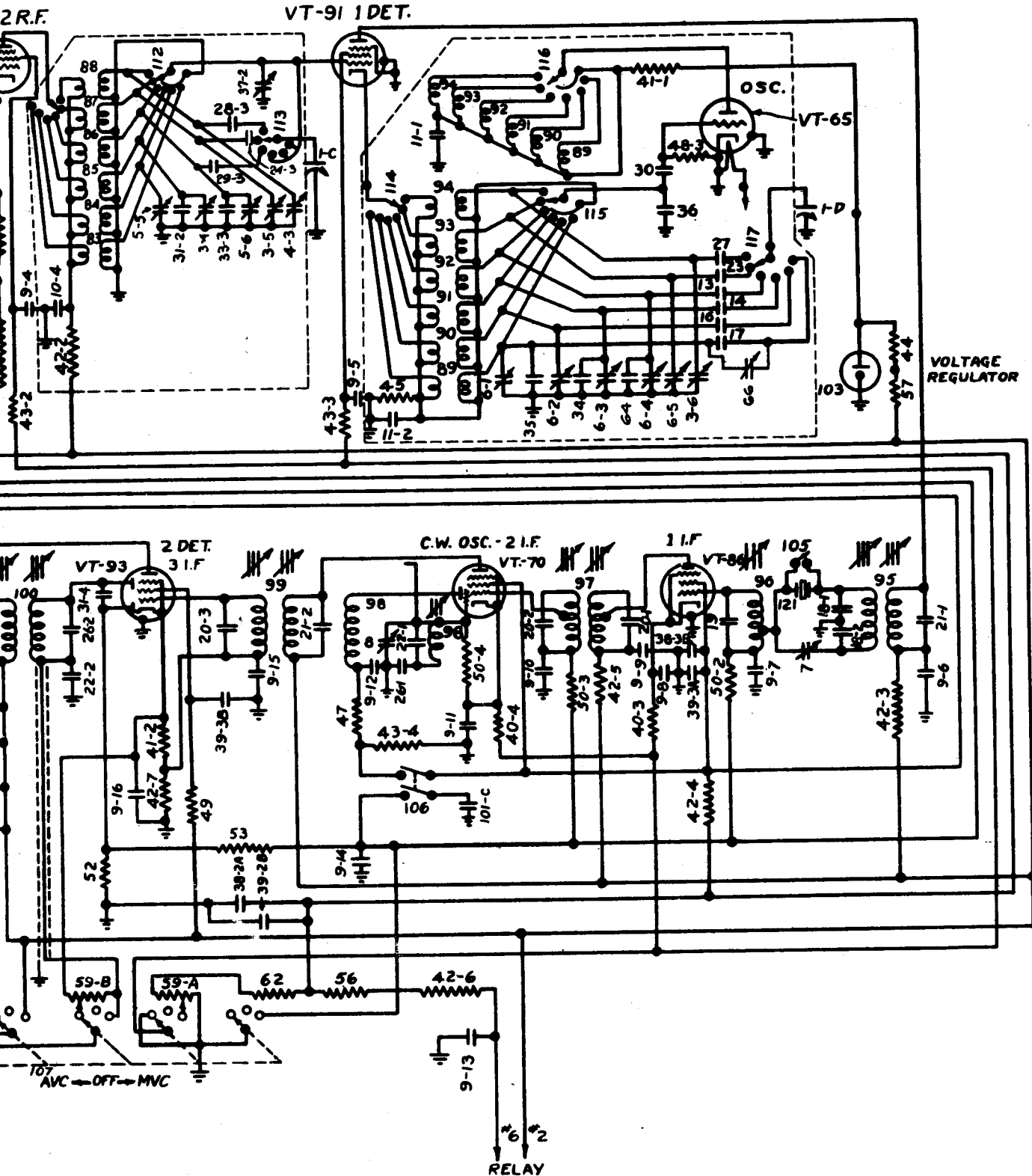


Figure 39 — Radio Receiver BC-348-O or BC-348-S, Schematic Circuit Diagram

RESTRICTED  
AN 08-10-209

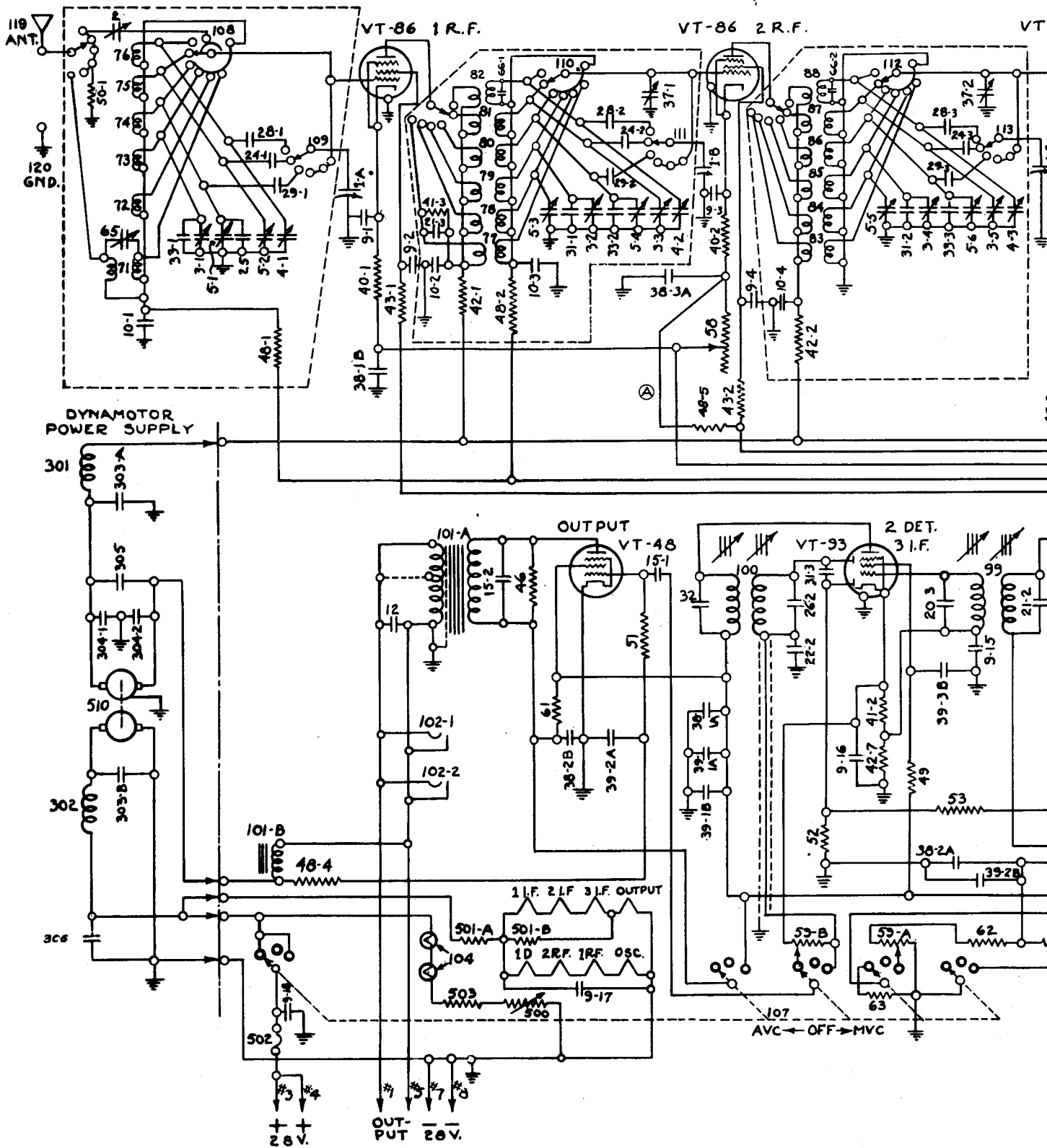


Figure 40 — R

RESTRICTED

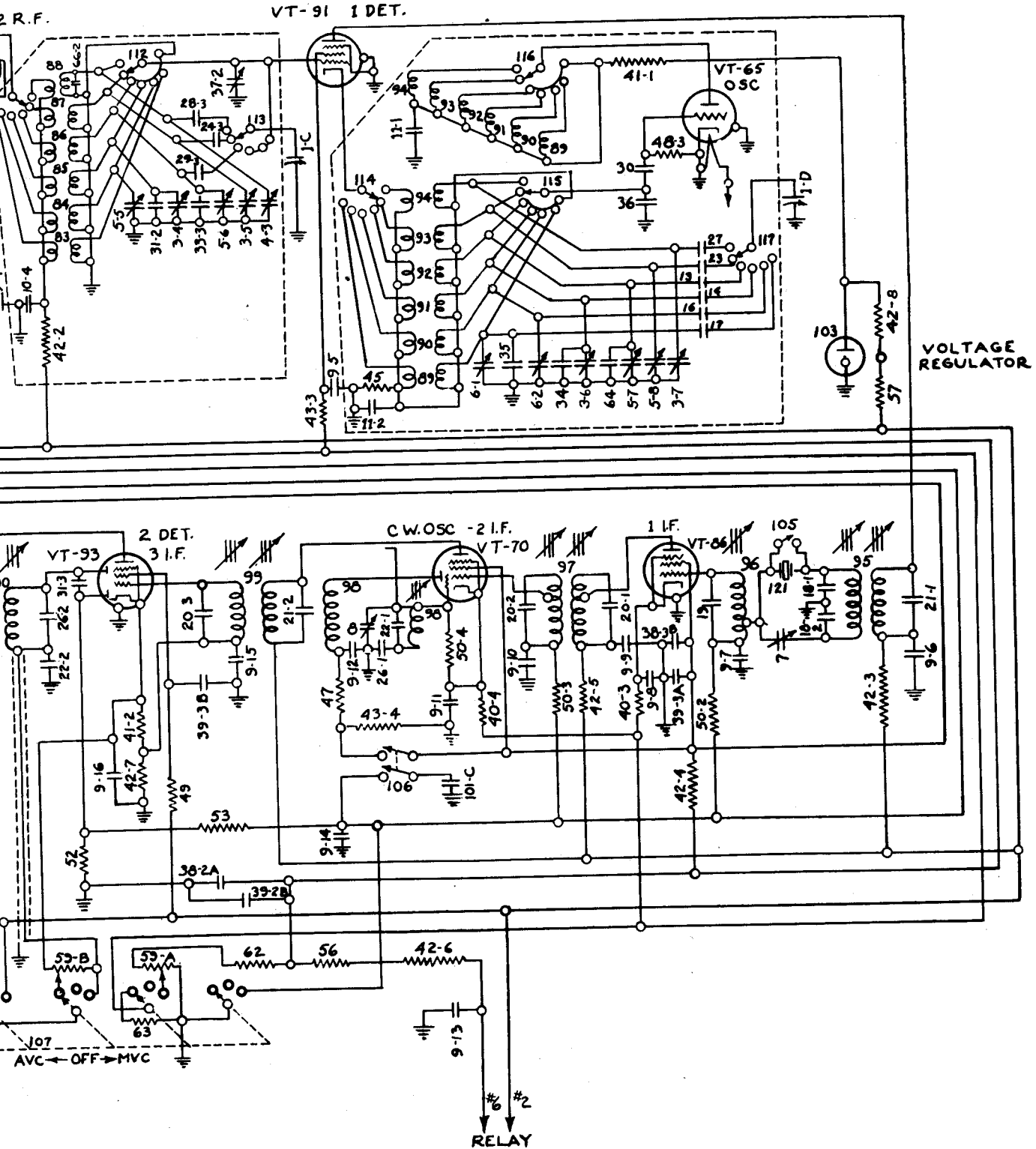
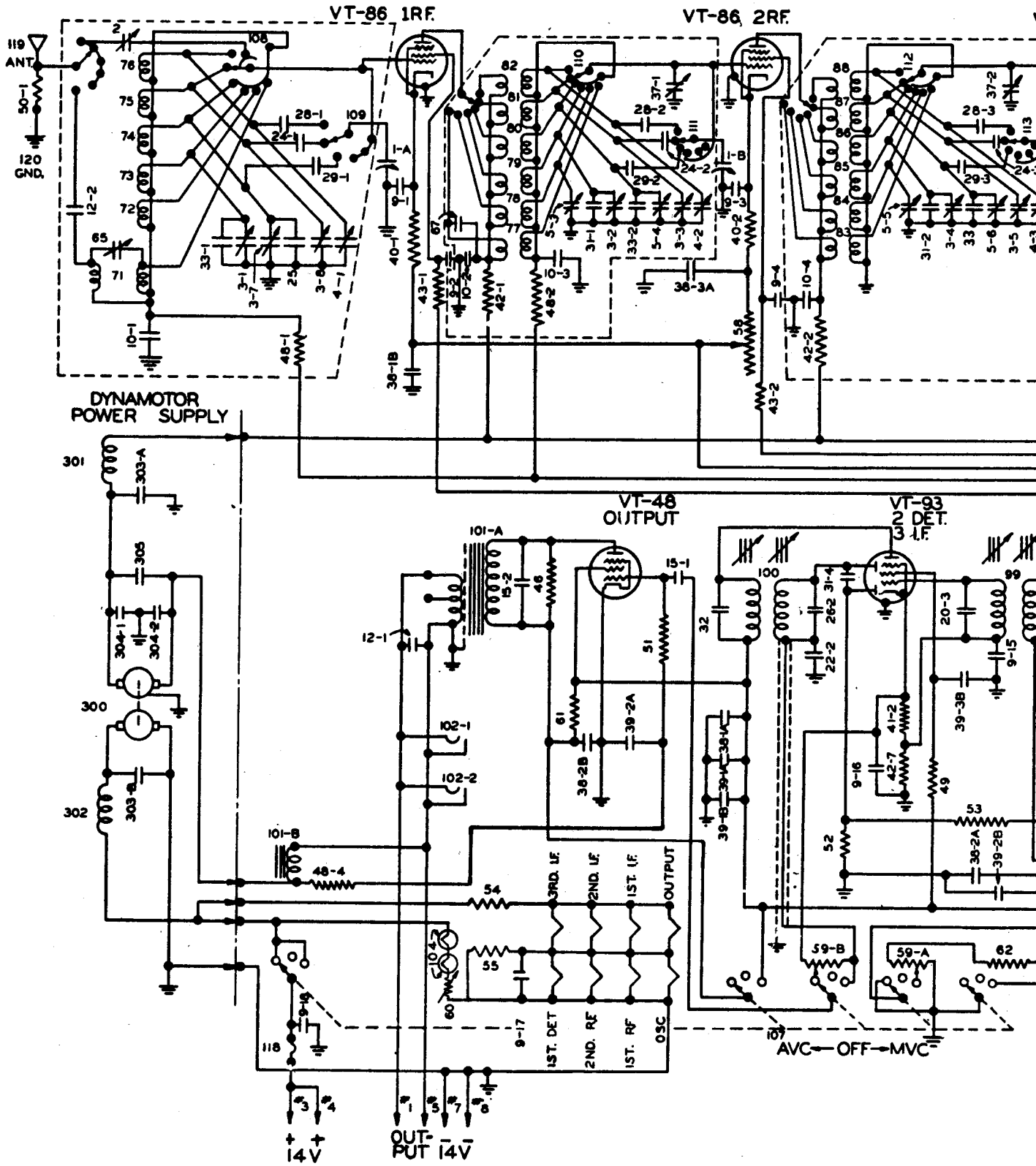


Figure 40 — Radio Receiver BC-348-E, BC-348-M or BC-348-P, Schematic Circuit Diagram

RESTRICTED  
AN 08-10-209



RESTRICTED

Fig



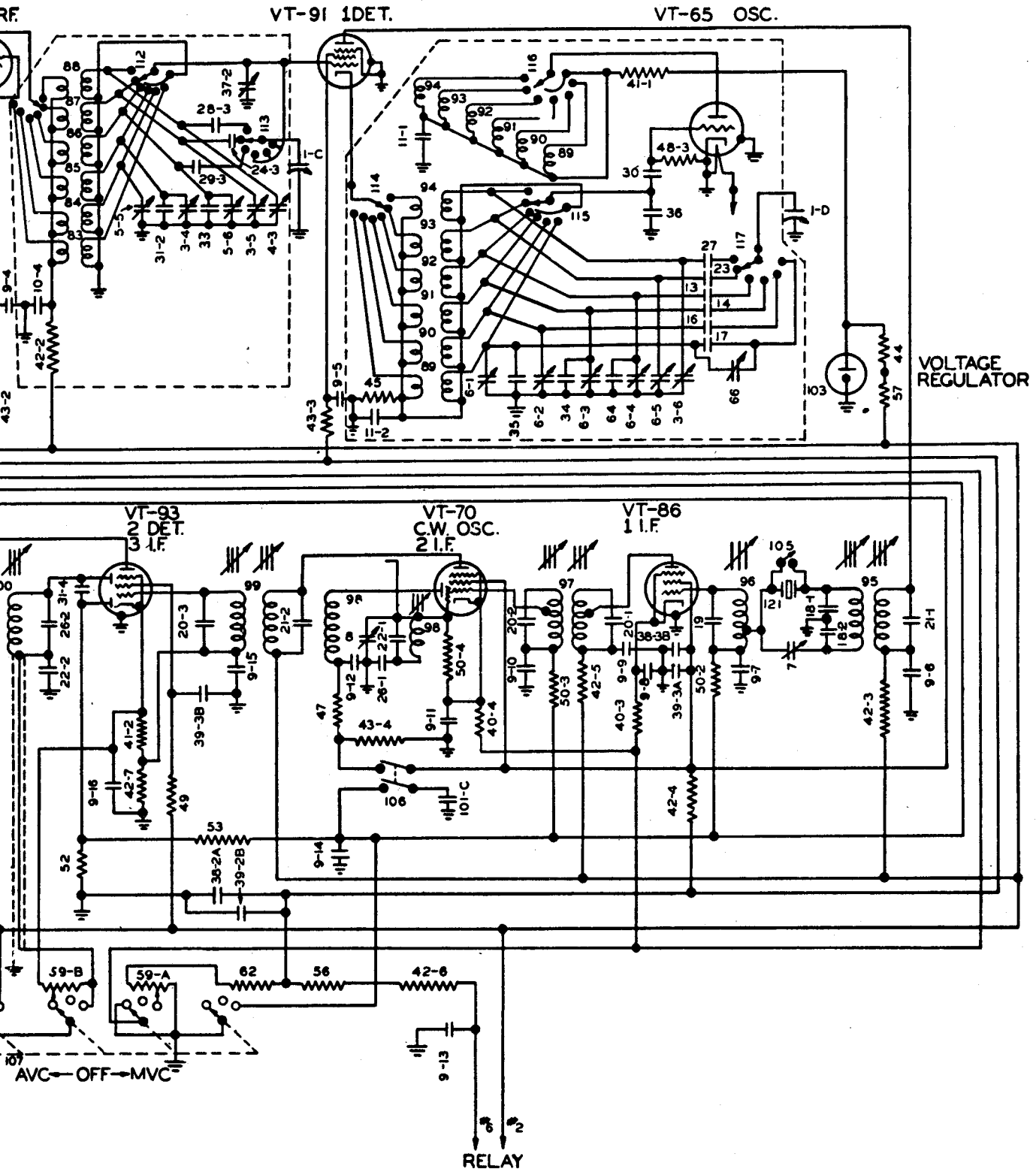


Figure 41 — Radio Receiver BC-224-(\*), Schematic Circuit Diagram